



MONOXIVENT[®]
Source Capture Systems

PRODUCT CATALOG



TABLE OF CONTENTS

1. Hose Reels, Spring Operated

HRSO – 1	Series 9000 Spring Retractable Hose Reel Specification
HRSO – 2	Spring Hose Reel Sizing & Selection
HRSO – 3	Spring Hose Reel Series 9000, 19" Drum Width
HRSO – 4	Spring Hose Reel Series 9000-W, 28" Drum Width
HRSO – 5	Spring Hose Reel Series 9000-W, 32" Drum Width
HRSO – 6	Spring Hose Reel Series 9000-W, 32" Drum Width - 8"
HRSO – 7	Dia. Spring Hose Reel Series 9000-L, 44" Drum Width
HRSO – 8	Spring Hose Reel Series 9000 & 9000-W Dimensions
HRSO – 9	Spring Hose Reel Series 9000 & 9000-W Dimensions - 8"
HRSO – 10	Dia. Hose Reels, Series 9000 Mounting Positions
HRSO – 11	Optional: Fan On/Off Switch For Mounting to All
HRSO – 12	Optional: Fan On/Off Switch For Mounting to All
HRSO – 13	9000-DMPR Hose Reel, Mechanical Damper

2. Hose Reels, Motor Operated

HRMO – 1	Series 9000 Motorized Hose Reel Specification
HRMO – 2	Motorized Hose Reel Sizing & Selection
HRMO – 3	Motor Operated Hose Reel Series 9000-W-TMTR - 28"
HRMO – 4	Motor Operated Hose Reel Series 9000-W-TMTR - 32"
HRMO – 5	Tube Motor, Chain Drive 9000-W-TMTR Views
HRMO – 6	L Series Motor Hose Reel Widened, Tube Type Motor, 4000 Series Hose, 9000-L-TMTR
HRMO – 7	Hose Reels, Series 9000 9000-W-TMTR & 9000-L-TMTR Mounting Positions Series 9000-W-TMTR, Tube Type Tube Motor Wiring Information, 9000-W-TMTR
HRMO – 8	2-Button Pendulum for Motor Hose Reel
HRMO – 9	4-Button Pendulum for Motor Hose Reel
HRMO – 10	4-Button Pendulum for Motor Hose Reel
HRMO – 11	Motor Operated Remote Control, Series 9000-TMTR
HRMO – 12	On/Off Switch for Mounting, DMSHR
HRMO – 13	On/Off Switch for Mounting, DMSHR
HRMO – 14	XL SERIES: 36" Drum Overview
HRMO – 15	XL SERIES: XL-36-5 Model (36" Diameter Drum, 5' Drum Width)
HRMO – 17	XL SERIES: XL-36-7 Model (36" Diameter Drum, 7' Drum Width)
HRMO – 18	XL SERIES: 36" Drum Side View
HRMO – 19	XL SERIES: 24" Drum Overview
HRMO – 20	XL SERIES: XL-24-3 Model (24" Diameter Drum, 3' Drum Width)
HRMO – 21	XL SERIES: XL-24-5 Model (24" Diameter Drum, 5' Drum Width)
HRMO – 22	XL SERIES: XL-24-7 Model (24" Diameter Drum, 7' Drum Width)
HRMO – 23	XL SERIES: 24" Drum Side View
HRMO – 24	XL SERIES: Installation Overview
HRMO – 25	XL SERIES: Installation Overview

3. Overhead Exhaust Systems

OES – 1	General Information
OES – 2	Sizing & Selection
OES – 3	Conventional Overhead System - Duct Mount
OES – 4	Discontinued Product
OES – 5	Pull-up Components – Raising and Lowering Hose, PU-KIT-R Raising and Lowering Components, PU-KIT-W Hand Winch
OES – 6	Winch Mounting Plate
OES – 7	Lifting Elbows
OES – 8	RTS 5-4-3 Overview
OES – 9	RTS 5-4-3 Operation, Components
OES – 10	Retractable Overhead System, Series 11000 D
OES – 11	Retractable Overhead System, Series 11000 MB
OES – 12	Retractable Overhead System, Series 11000 FMB
OES – 13	Balancer, Torque Reel
OES – 14	Balancer/Torque Reel Overhead Systems Series: BAL-T-HD-8 Torque Reel, Illustrated Parts List
OES – 15	Direct Drive Blower - With Bracket
OES – 16	Direct Drive Blower - Performance
OES – 17	Data - Pivoting Swivel Boom/ Articulated Crane Arm
OES – 18	Static Pressure Graph
OES – 19	Swivel Boom Extension - Using Hose, Balancer
OES – 20	Swivel Boom Extension - Using 24" Hood
OES – 21	Pivoting Articulated Crane Arm
OES – 22	PAC - Using Hose, Balancer
OES – 23	PAC - Using 24" Hood
OES – 24	PAC Arm & Swivel Boom Wall Bracket
OES – 25	11000-FMB-2 Dual Drops Y Fitting with Balancers & Lifting Elbows
OES – 26	11000-FMB-2 Dual Drops - Y Fitting
OES – 27	11000-FMB-2 Dual Drops - Y Fitting with Pulley Hook & Cable or Rope System
OES – 28	Discontinued Product
OES – 29	Discontinued Product
OES – 30	Discontinued Product
OES – 31	Discontinued Product

4. NORFI Rail

N – 1	Technorail & ALU 150/250 Specification
N – 2	Monoxirail Simple Drops
N – 3	Monoxirail Simple Drops
N – 4	Monoxivent Hose Reels
N – 5	Technorail
N – 6	ALU150 Rail
N – 7	ALU250 Rail
N – 8	Technorail Extraction Trolley
N – 9	Technorail Hose Reel
N – 10	ALU150/250 Extraction Trolley
N – 11	ALU150/250 Extraction Trolley
N – 12	ALU150/250 Extraction MAXI Trolley
N – 13	ALU150/250 Hose Reel Trolley
N – 14	Heavy Duty Balancers
N – 15	Balancer Accessories
N – 16	Manual Nozzles with Safety Coupling
N – 17	Manual Nozzles
N – 18	Manual Nozzle with Hand Clamp
N – 19	Nozzles
N – 20	Pneumatic Clamping Nozzle
N – 21	Manual Nozzle with Automatic Disconnect
N – 22	Nozzles
N – 23	Plug Car Nozzles
N – 24	Plug Car Nozzles
N – 25	Nozzles and Accessories
N – 26	Nozzles and Accessories
N – 27	Exhaust Funnels
N – 28	Exhaust Funnels
N – 29	Exhaust Funnel

5. Portable Fume ELIMINATOR

PVSC – 1	Basic (Bus) Model, Without Fan
PVSC – 2	Basic (Truck) Model, Without Fan
PVSC – 3	Overview, Base Plate Model
PVSC – 4	Standard (Bus) Model, With Fan
PVSC – 5	Standard (Truck) Model, With Fan
PVSC – 6	Components, Standard/Hose Reel Models
PVSC – 7	Fan Models - Specifications, Standard/Hose Reel
PVSC – 8	Side View, Hose Reel Model
PVSC – 9	End View, Hose Reel Model

6. Underground Exhaust System

UES - 1	Overview
UES - 2	Floor Outlets
UES - 3	Self Storing Assembly, Spiral
UES - 4	Plug In Assembly, Spiral
UES - 5	Self Storing Assembly & Plug In, Side/Top Views
UES - 6	Hose Guide - Metal and "No Crush" Hose
UES - 7	REFCO: Underfloor Refuse Clean Out

7. Accessories

AC – 1	General Information
AC – 2	Clamping Tailpipe Nozzle, Series 8000/8080
AC – 3	Tapered Cone Adapter, Series TCA
AC – 4	Tailpipe Adapter - Rubber Body, Series TPA-RB
AC – 5	Self Closing - Spring Damper, 43000 Series
AC – 6	Lifting Pole
AC – 7	Vertical Stack Adapter
AC – 8	Oval Mouth Adapter, 23827, 23828
AC – 9	Spring Clamp Adapter, 23827-SC, 23828-SC
AC – 10	Discontinued Product
AC – 11	Discontinued Product
AC – 12	Chain and Hook - Tailpipe Adapter
AC – 13	Diesel Stack Cane, 41000 Series
AC – 14	Y Kit Assembly
AC – 15	Spring Hinged Damper, SHD
AC – 16	Locking Hand Damper, LHD
AC – 17	Full Slide Gates
AC – 18	Male/Female Couplers
AC – 19	Flat Swivel Connectors
AC – 20	Connection Flange
AC – 21	Swivel Ball Joint
AC – 22	Door/Wall Port
AC – 23	Wall Boxes for Single/Dual Hose
AC – 24	Hose Storage Rack
AC – 25	Stand Alone Series (FDS-SA)
AC – 26	Remote Sensor Series, Detection Control Panel
AC – 27	Remote Sensor Series (CS-RS-CO, CS-RS-NO, CS-RS-CH4)
AC – 28	Dual Stand Alone Detection System (FDS-SA-CO-NO)
AC – 29	Safety Breakaway
AC – 30	Clamps – Bridge Clamps and Worm Gear
AC – 31	Clamps Pull-Down Rope with T Handle
AC – 32	Snowmobile Exhaust Adapter
AC – 33	Motorcycle Dyno Package
AC – 34	Floor Sweeps, 4", 5", 6"

8. Welding Source Capture

WSC – 1	Exhaust Arms, Technical Data
WSC – 2	Sizing & Selection
WSC – 3	Static Pressure Graph
WSC – 4	Wall/Column Mounting
WSC – 5	Series 15000 - Exploded View
WSC – 6	Extension Bracket
WSC – 7	Series 15000-D, Direct Mounting
WSC – 8	Series 15000-D, Mounting Guidelines
WSC – 9	Vertical Duct Mount Arm
WSC – 10	Series 15320, Telescopic Arm

WSC – 11	Series 15320, Telescopic Arm - Exploded View
WSC – 12A	15000-TT Exhausting Arm, Tube Type, 7' Model
WSC – 12B	15000-TT Exhausting Arm, Tube Type, 10' Model
WSC – 12C	15000-TT Exhausting Arm, Tube Type, 13' Model
WSC – 12D	15000-TT Exhausting Arm, Tube Type - 6" Model, Wall Bracket
WSC – 13	15000-TT Exhausting Arm, Tube Type, Airflow Performance
WSC – 14A	External Support Structure - Welding Arm, 15000-EXT (7', 10' Arms)
WSC - 14B	External Support Structure - Welding Arm, 15000- EXT (14' Arms)
WSC – 15	Pivoting Boom Arm, Technical Data
WSC – 16	Pivoting Crane Arm, Pressure Loss Graph
WSC – 17	Series 15000 - Mounting Options
WSC – 18	Swivel Boom, Self-Supporting Flex Arm
WSC – 19	Swivel Boom, Round Hood
WSC – 20	Pivoting Articulated Crane
WSC – 21	Pivoting Articulated Crane, Self-Supporting Flex Arms
WSC – 22	Pivoting Articulated Crane - Round Hood, 11000 Balancer Drop
WSC – 23	Mini Extraction Arms: Series MNX-MEA Overview
WSC – 24	MNX Mini/Lab Arm, Wall Mount
WSC – 25	MNX Mini/Lab Arm, Table Mount
WSC – 26	MNX Mini/Lab Arm, Ceiling Mount
WSC – 27A	MNX Mini/Lab Arm, Ceiling Bracket
WSC – 27B	MNX Mini/Lab Arm, Angle Cut Suction Nozzle
WSC – 27C	MNX Mini/Lab Arm, Hoods
WSC – 27D	MNX Mini/Lab Arm, Installation, Other Notes
WSC – 28	Slotted Fume Hoods
WSC – 29	Discontinued Product
WSC – 30	Discontinued Product
WSC – 31	Discontinued Product
WSC – 32	Welding Cone Nozzle
WSC – 33	Polycarbonate Source Capture Hood
WSC – 34	Exhaust Hood with Wall Bracket

9. Collectors, Filtration

CF – 1	Portable Cartridge Filter, Series PCFS
CF – 2	Portable Cartridge Filter, Series PCFS
CF – 3	Portable Cartridge Filter, Series PCFS
CF – 4	Portable Cartridge Filter, Series PCFS
CF – 5	Portable Cartridge Filter, Series PCFS
CF – 6	Portable HEPA System, Series PHS
CF – 7	Portable HEPA System, Series PHS
CF – 8	Portable HEPA System, Series PHS
CF – 9	System, Series PHS
CF – 10	Discontinued Product
CF – 11	Discontinued Product
CF – 12	Discontinued Product
CF – 13	Discontinued Product
CF – 14	Discontinued Product
CF – 15	Discontinued Product
CF - 16	Discontinued Product
CF – 17	Discontinued Product
CF – 18	Discontinued Product
CF – 19	Discontinued Product
CF – 20	Discontinued Product
CF – 21	Discontinued Product
CF – 22	Discontinued Product
CF – 23	Discontinued Product
CF – 24	Discontinued Product
CF – 25	Discontinued Product
CF – 26	Discontinued Product
CF – 27	Discontinued Product
CF – 28	Discontinued Product
CF – 29	Discontinued Product
CF – 30	Discontinued Product
CF – 31	Discontinued Product
CF – 32	Discontinued Product
CF – 33	Discontinued Product
CF – 34	Discontinued Product
CF – 35	Discontinued Product
CF – 36	Discontinued Product

CF – 39	Discontinued Product
CF – 40	Discontinued Product
CF – 41	Discontinued Product
CF – 42	Discontinued Product
CF – 43	Discontinued Product
CF – 44	
CF – 45	Discontinued Product
CF – 46	Discontinued Product
CF – 47	Discontinued Product
CF – 48	Discontinued Product
CF – 49	Discontinued Product
CF – 50	Dual Inlet Design, Series 3030 - Exploded View
CF – 51	Dual Inlet Design, Series 3030 - Specifications
CF – 52	Series 3030/3037, Shuttle Air Pattern
CF – 53	Dual Inlet Design, Series 3037 - Exploded View
CF – 54	Dual Inlet Design, Series 3037 – Specifications
CF – 55	Series 3011, Straight Through Design - Exploded View
CF – 56	Series 3011, Straight Through Design - Specifications
CF – 57	Series 3025, Straight Through Design - Exploded View
CF – 58	Series 3025-WR, Straight Through Design Series
CF – 59	3025, 3025-WR - Specifications
CF – 60	Series 3011, 3025, 3025-WR - Race Track Pattern
CF – 61	Discontinued Product
CF – 62	Discontinued Product
CF – 63	Discontinued Product
CF – 64	Discontinued Product
CF – 65	Cyclone Dust Collectors Overview
CF – 66	After Filters Overview
CF – 67	MX Series, Capacity Table, Cyclone Units
CF – 68	MX-20SN51 with FT25E, Cyclone
CF – 69	MX-20SN51 with FT25O, Cyclone
CF – 70	MX-30SN90 with FT40E, Cyclone
CF – 71	MX-30SN90 with FT40O, Cyclone
CF – 72	MX-60SN70 with FT64E, Cyclone
CF – 73	MX-60SN70 with FT64O, Cyclone
CF – 74	MX-70SN70 with FT 64E, Cyclone
CF – 75	MX-70SN70 with FT64O, Cyclone
CF – 76	MX-80SN70 with FT64E, Cyclone
CF – 77	MX-80SN70 with FT64O, Cyclone

10. Exhaust Fans

EF – 1	D Series Overview
EF – 2	D Series, Direct Drive Blowers Assembly
EF – 3	D Series, Dimensions, Configurations & Weights Electrical
EF – 4	Direct Drive Fans Blower Performance D Series
EF – 5	D Series, Wall/Column Bracket
EF – 6	D Series, Foot Mount Base
EF – 7	D Series, Direct Mount to Hose Reel
EF – 8	D Series, Direct Mount to Arm
EF – 9	BI Series Overview
EF – 10	BI Series Overview, Dimension Data
EF – 11	BI Series, Dimension Data
EF – 12	BI Series: 60
EF – 13	BI Series: 70
EF – 14	BI Series: 80
EF – 15	BI Series: 100
EF – 16	BI Series: 120
EF – 17	BI Series: 135
EF – 18	BI Series: 150
EF – 19	BI Series: 165
EF – 20	BI Series: 180
EF – 21	BI Series: 195
EF – 22	BI Series: 210
EF – 23	BI Series: 225

EF – 24	BI Series: 245
EF – 25	BI Series: 270
EF – 26	BI Series: 300
EF – 27	Universal Fan Platform - UFP
EF – 28	Blower Accessories
EF – 29	AX Fan Dimension Drawing
EF – 30	AX Fan Performance
EF – 31	Control Box Starter: Electrical Components
EF – 32	Control Box Starter: Wiring Diagram
EF – 33	Control Box Starter, Disconnect Switch: Electrical Components
EF – 34	Control Box Starter, Disconnect Switch: Wiring Diagram
EF – 35	D Series, Direct Mount to Arm: DMA/DMA- EXT/DMA-TT
EF – 36	Universal Hanging Platform - UHP
EF – 37	BDD - Butterfly Backdraft Damper

11. Hose

HS – 1	Overview – 1000/2000
HS – 2	Round Hard Duct Graph – 1000/2000
HS – 3	Overview – 3000
HS – 4	Overview - 4000
HS – 5	Overview - 5000
HS – 6	Performance - Pressure Drop Chart – 4000/5000
HS – 7	Performance - Straight Duct Run – 4000/5000
HS – 8	Overview – 6000
HS – 9	Series 7350: External Helix Hose for Temperatures up to 350-degrees F
HS – 10	Series 7570: External Helix Hose for Temperatures up to 570-degrees F
HS – 11	Series 7850: External Helix Hose for Temperatures up to 850-degrees F
HS – 12	Series 7100: External Helix Hose for Temperatures up to 1000-degrees F
HS – 13	Series 7120: External Helix Hose for Temperatures up to 1200-degrees F
HS – 14	Series 7150: External Helix Hose for Temperatures up to 1500-degrees F
HS – 15	Series 7210: External Helix Hose for Temperatures up to 2010-degrees F
HS – 16	Series 7570: External Helix Hose for Temperatures up to 570-degrees F
HS – 17	Series 7600: External Helix Hose for Temperatures up to 550-degrees F

When selecting a Hose Reel package:

- STEP 1 Determine Hose Reel type (spring or motorized)
Determine type of Hose (4000 or 5000 Series, Contact Factory for other Hose Types)
Determine Necessary Length of Hose
Determine Diameter of Hose for application
- STEP 2 For Motorized Hose Reels only:
Determine if optional Electrical Components (pendulum switch or remote control) are needed
- STEP 3 Determine Nozzle/Adapter Series
Determine Size
Determine other Necessary Features
- STEP 4 Determine if Options are Needed for Nozzles/Adapters
- STEP 5 Determine if Fans are needed
If yes, determine Fan size, Mounting, and any needed Additional Components

Notes:

MODEL NUMBERS FOR HOSE REELS, EXAMPLE 5-9304-W-MTR:

- 5-9304-W-MTR 5000 Series Hose
5-9304-W-MTR 9000 Series Hose Reels
5-9304-W-MTR Hose Length (30')
5-9304-W-MTR Hose Diameter (4")
5-9304-W-MTR Widened Hose Reel
5-9304-W-MTR Motorized Hose Reel

Monoxivent hose reels are offered in a wide variety of models and sizes. Spring-retractable reels, along with motorized reels are available. Connections may be made to a direct mounting fan or to ductwork and a central fan. Many sizes are available - 4"-5"-6" reels are standard, however oversized reels are an option from 8" diameter through 18" diameter.

**PLEASE CONSULT FACTORY FOR OVERSIZED HOSE REELS:
8" DIAMETER through 18" DIAMETER**

Hose (NEW LOCATION IN CATALOG - 11th Tab):

Hose reel model numbers with a **5-** as a prefix use 5000-series hose, while hose reel model numbers that begin with a **9** use 4000-series hose.

4000 SERIES HOSE: The Series 4000 Hose serves as Monoxivent's most common hose for vehicle exhaust source capture. The hose easily withstands temperatures at 600-degrees and is ideal for use with hose reels or overhead exhaust systems. The hose withstands temperatures up to 1250-degrees, intermittent use.

5000 SERIES HOSE: The Series 5000 Hose is a versatile option and may be used for hose reels, overhead exhaust systems, underground systems, welding, industrial use, light-duty material handling, and agricultural use. The hose easily withstands temperatures at 350-degrees. The hose withstands temperatures up to 550-degrees, intermittent use.



Spring Retractable Hose Reel Specification Series 9000

TECHNICAL INFORMATION

In the interest of continuing product improvement, we reserve the right to change models, specifications, and/or features without prejudice.

PROJECT: _____
 LOCATION: _____
 ARCHITECT: _____
 ENGINEER: _____
 CONTRACTOR: _____
 DATE: _____ SALES ENGINEER: _____

www.monoxivent.com

info@monoxivent.com

309-794-1000

Page: HRSO-1

SPRING RETRACTABLE HOSE REEL SPECIFICATION SERIES 9000

The vehicle exhaust extraction system shall consist of an Automatic Spring Hose Reel, designed for manual extension and spring return of high temperature flexible exhaust hose.

The Hose Reel shall consist of the following features: The hose reel side plate mounting support frame shall be constructed of 11 gauge cold rolled steel. The side plates shall be drawn securely together and retained by heavy gauge "J" channel steel support braces. These support braces keep the side plates square and solid.

The hose reel drum shall be constructed of 16 gauge cold rolled steel. The drum shall be formed and rolled to an 18" diameter and strengthened by four inner support bars. These bars are secured to the drum end flanges and pull the drum tightly against the end flange.

The drum end flanges shall be constructed of 16 gauge cold rolled steel. The end flange outer edge shall be rolled to provide strength and rigidity. Each end flange shall have a center pressed 18" diameter groove. This groove allows the reel drum and end flange to mate so the drum's inner support bars draw the end flange securely to the drum. This unique design feature offers added strength, quality and reliability.

Powder Coating: All steel parts are painted with a 2 to 4 mil thick P&L virtalon polyester red powder coating for longevity and to resist corrosion.

The hose reel shall have a hose to drum connection fitting allowing for use of either 4", 5", 6" , or 8" hose. The connection fitting supports an inner 6" or 8" diameter tube that completes the connection from the connection of 6" or 8" diameter discharge duct. The hose reel drum shall also be supplied with a hose tracking bar to guide the hose during the recoiling function.

The hose reel function shall consist of a spring cassette housing containing a high carbon drive spring. The activation of the manual extension and spring return is by a Lock and Latch feature.

The necessary length of hose desired can be locked in place and the hose is automatically retracted after use. The hose reel functions of uncoiling and recoiling of the hose shall be by direct pulling on the extraction hose. The reel shall have an adjustable hose stop to set the hose at the desired recoiling height. This stop shall be mounted to the extraction hose.



Overhead Exhaust Systems
 Suggestions & Tips
 Selection & Calculation

TECHNICAL INFORMATION

In the interest of continuing product improvement,
 we reserve the right to change models,
 specifications, and/or features without prejudice.

PROJECT: _____
 LOCATION: _____
 ARCHITECT: _____
 ENGINEER: _____
 CONTRACTOR: _____
 DATE: _____ SALES ENGINEER: _____

www.monoxivent.com

info@monoxivent.com

309-794-1000

Page: HRSO-2

SUGGESTIONS ONLY PRODUCT SIZING AND SELECTION

- A. Determine vehicle type and exhaust pipe discharge locations. {under-chassis or vertical stack}
- B. Select proper hose diameter for the vehicle determined. Suggest using 4" hose for autos, vans and small trucks. Suggest using 5" and 6" hose for larger vehicles.
- C. Select CFM requirements for the type of vehicles determined: Suggest using 200 - 300 CFM for autos, vans & small trucks. Suggest using 500 - 600 CFM for larger vehicles. NOTE - Many facilities do not always run the vehicles at idle. The above listed CFM will Allow for a 20 % increase in RPM with adequate air volume if based on the high CFM listed. Please consult the factory if higher RPM will be used by the customer.
- D. Once the CFM has been determined, please consult the graph in the catalog for the static pressure calculations based on the hose diameter, hose length and CFM required. The graph will give you the static pressure loss for the exhaust removal drop.
- E. A suggested formula for central duct static pressure loss can be based upon the following information: Calculate the length of the main duct from the fan to the end of the duct and multiply the length by .006. This calculation gives the approximate loss in the main duct. Calculate the number of bends in the main duct and multiply this by .020. Add the drop loss, main loss, and the bend loss and you will have an estimate on the system static pressure loss.
- F. Select the fan based upon the total amount of drops times the CFM per drop. Check the fan graph for the fan to give you the CFM you require at the given static pressure that you have calculated.
- G. To assist in sizing the main duct, the following may be used. Begin with the furthest drop from the fan.

0-450	CFM	6"	2301-3500	CFM	14"
451-800	CFM	8"	3501-4700	CFM	16"
801-1500	CFM	10"	4701-5900	CFM	18"
1501-2300	CFM	12"	5901-6600	CFM	20"

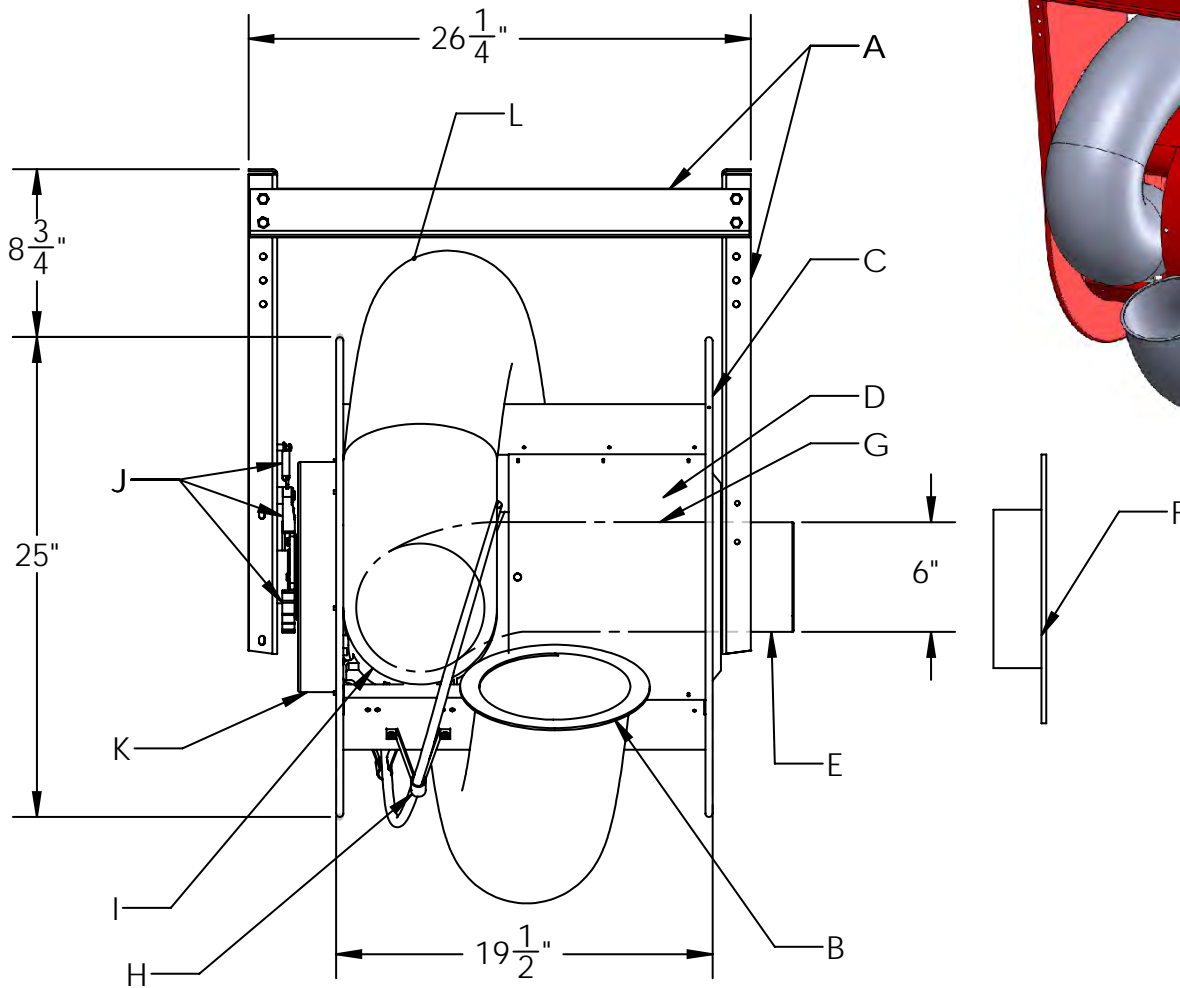
* Connecting duct from reel is 6". Whenever possible, it is recommended to use an air flow sweep when connecting the 6" duct from the reel to the main duct.

**TECHNICAL
INFORMATION**

In the interest of continuing product improvement,
we reserve the right to change models,
specifications, and/or features without prejudice.

PROJECT: _____
 LOCATION: _____
 ARCHITECT: _____
 ENGINEER: _____
 CONTRACTOR: _____
 DATE: _____ SALES ENGINEER: _____

Exploded View



- A - Heavy Gauge Steel Support Mounting Frame
- B - Adjustable Hose Stop
- C - End Flanges
- D - Drum Assembly - 18" Diameter
- E - Duct Connection Fitting & Bearing Assembly
- F - Optional Mounting Flange for Direct Mount Fan
- G - Internal Hose Tube - 6" Diameter
- H - Hose Tracking Bar
- I - Hose to Drum Connector - 4", 5", 6" Diameter
- J - Lock and Latch Mechanism
- K - Spring Cassette Unit
- L - Extraction Hose - 4", 5", 6" Diameter

<u>Model</u>	<u>Hose Dia.</u>	<u>Max. Hose Capacity on Drum</u>	<u>Drum Diameter</u>	<u>Drum Width</u>	<u>Approx. Wt.</u>
9000	4"	25'	18"	19"	200 lbs.
9000	5"	20'	18"	19"	200 lbs.
9000	6"	20'	18"	19"	200 lbs.

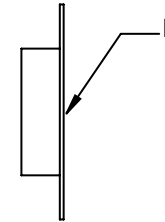
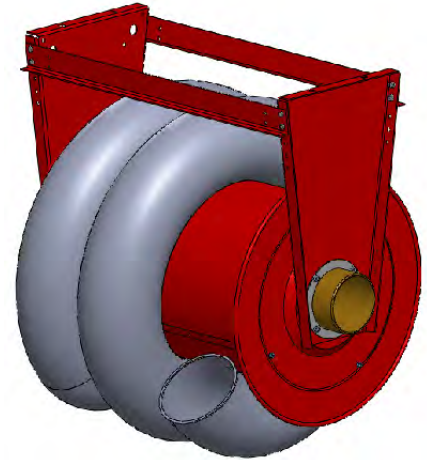
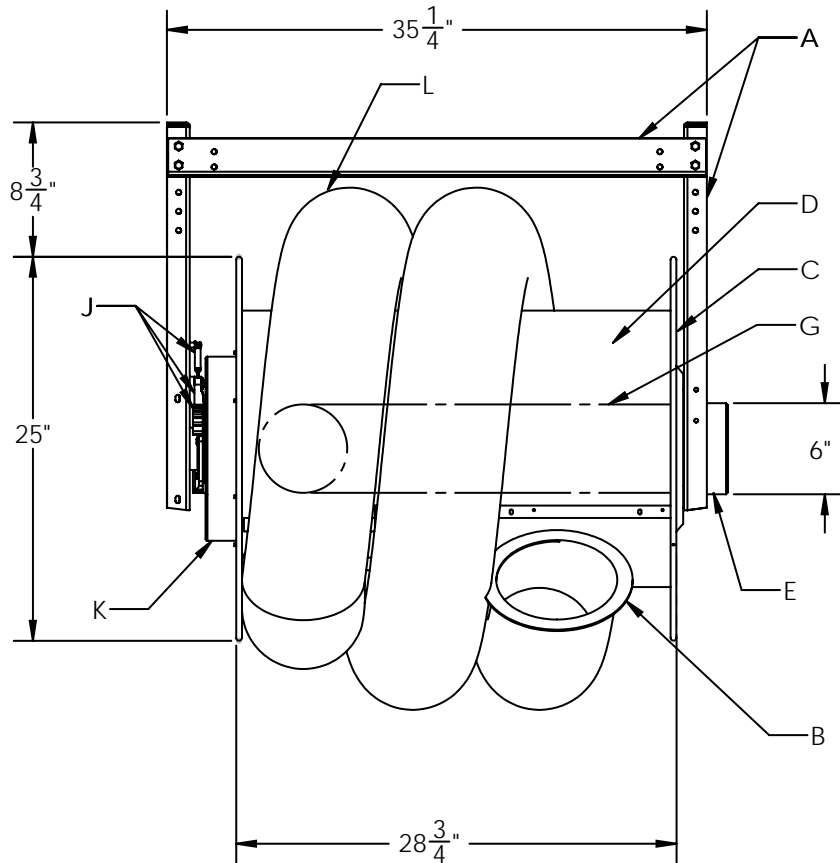
Provided With: _____ Diameter _____ Feet/Hose _____ Series Hose

**TECHNICAL
INFORMATION**

In the interest of continuing product improvement,
we reserve the right to change models,
specifications, and/or features without prejudice.

PROJECT: _____
 LOCATION: _____
 ARCHITECT: _____
 ENGINEER: _____
 CONTRACTOR: _____
 DATE: _____ SALES ENGINEER: _____

Exploded View



NOTE: The above dimensions are the same for both the motor operated hose reel and the widened version of the spring retractable hose reel (Series 9000-W).

- A - Heavy Gauge Steel Support Mounting Frame
- B - Adjustable Hose Stop
- C - End Flanges
- D - Drum Assembly - 18" Diameter
- E - Duct Connection Fitting & Bearing Assembly
- F - Optional Mounting Flange for Direct Mount Fan
- G - Internal Hose Tube - 6" Diameter
- J - Lock and Latch Mechanism
- K - Spring Cassette Unit
- L - Extraction Hose - 4", 5", 6" Diameter

<u>Model</u>	<u>Hose Dia.</u>	<u>Max. Hose Capacity on Drum</u>	<u>Drum Diameter</u>	<u>Drum Width</u>	<u>Approx. Wt.</u>
9000-W	4"	40'	18"	28"	200 lbs.
9000-W	5"	34'	18"	28"	200 lbs.
9000-W	6"	32'	18"	28"	200 lbs.

Provided With: _____ Diameter _____ Feet/Hose _____ Series Hose

**TECHNICAL
INFORMATION**

In the interest of continuing product improvement,
we reserve the right to change models,
specifications, and/or features without prejudice.

PROJECT: _____
LOCATION: _____
ARCHITECT: _____
ENGINEER: _____
CONTRACTOR: _____
DATE: _____ SALES ENGINEER: _____

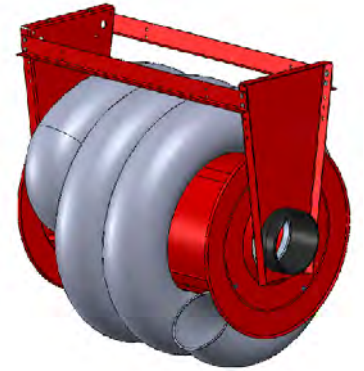
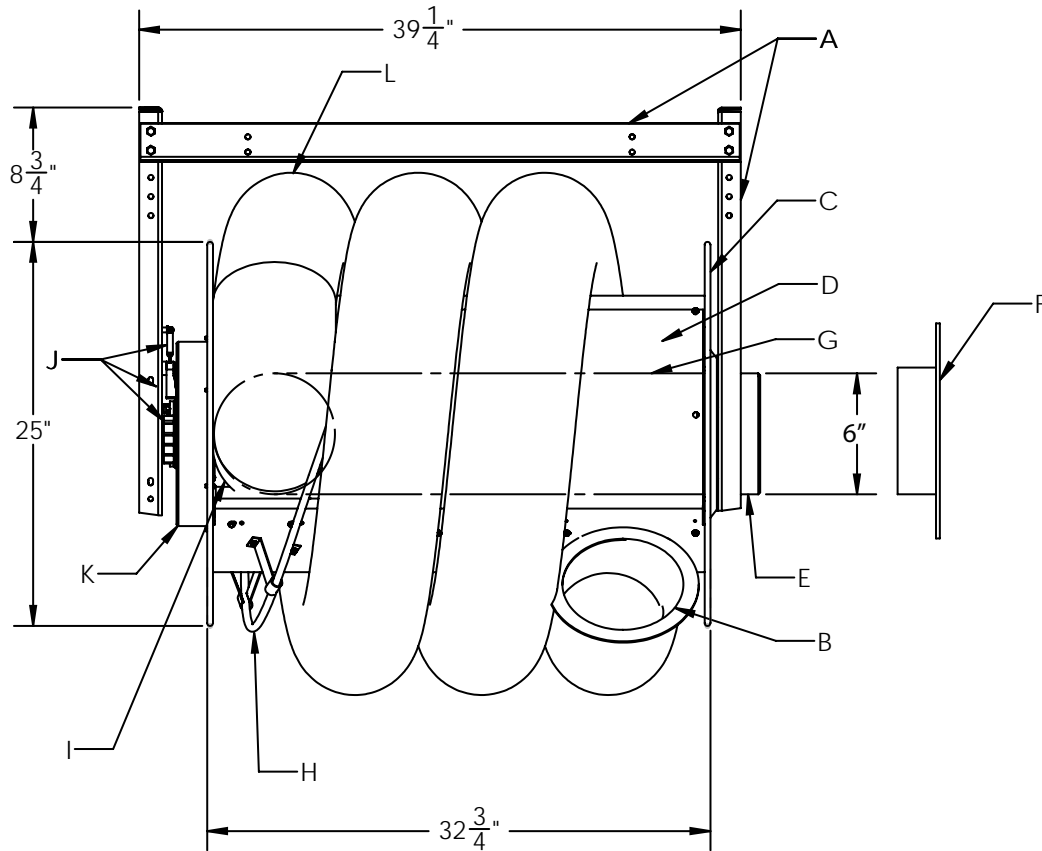
www.monoxivent.com

info@monoxivent.com

309-794-1000

Page: HRSO-5

Exploded View



NOTE: The above dimensions are the same for both the motor operated hose reel and the widened version of the spring retractable hose reel (Series 9000-W).

- | | |
|---------------------------------------------------|--------------------------------------------------|
| A - Heavy Gauge Steel Support Mounting Frame | G - Internal Hose Tube - 6" Diameter |
| B - Adjustable Hose Stop | H - Hose Tracking Bar |
| C - End Flanges | I - Hose to Drum Connector - 4", 5", 6" Diameter |
| D - Drum Assembly - 18" Diameter | J - Lock and Latch Mechanism |
| E - Duct Connection Fitting & Bearing Assembly | K - Spring Cassette Unit |
| F - Optional Mounting Flange for Direct Mount Fan | L - Extraction Hose - 4", 5", 6" Diameter |

<u>Model</u>	<u>Hose Dia.</u>	<u>Max. Hose Capacity on Drum</u>	<u>Drum Diameter</u>	<u>Drum Width</u>	<u>Approx. Wt.</u>
9000-W	4"	50'	18"	32"	200 lbs.
9000-W	5"	40'	18"	32"	200 lbs.
9000-W	6"	36'	18"	32"	200 lbs.

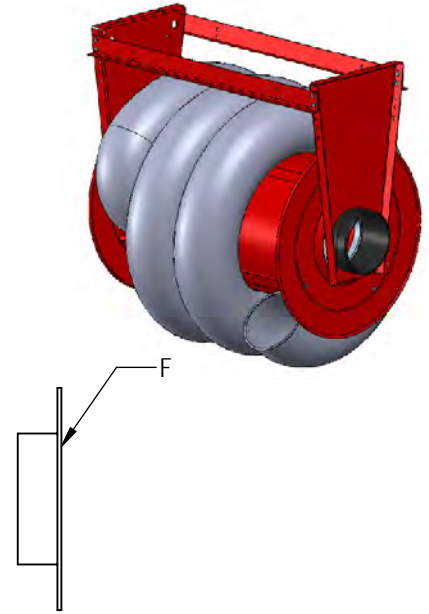
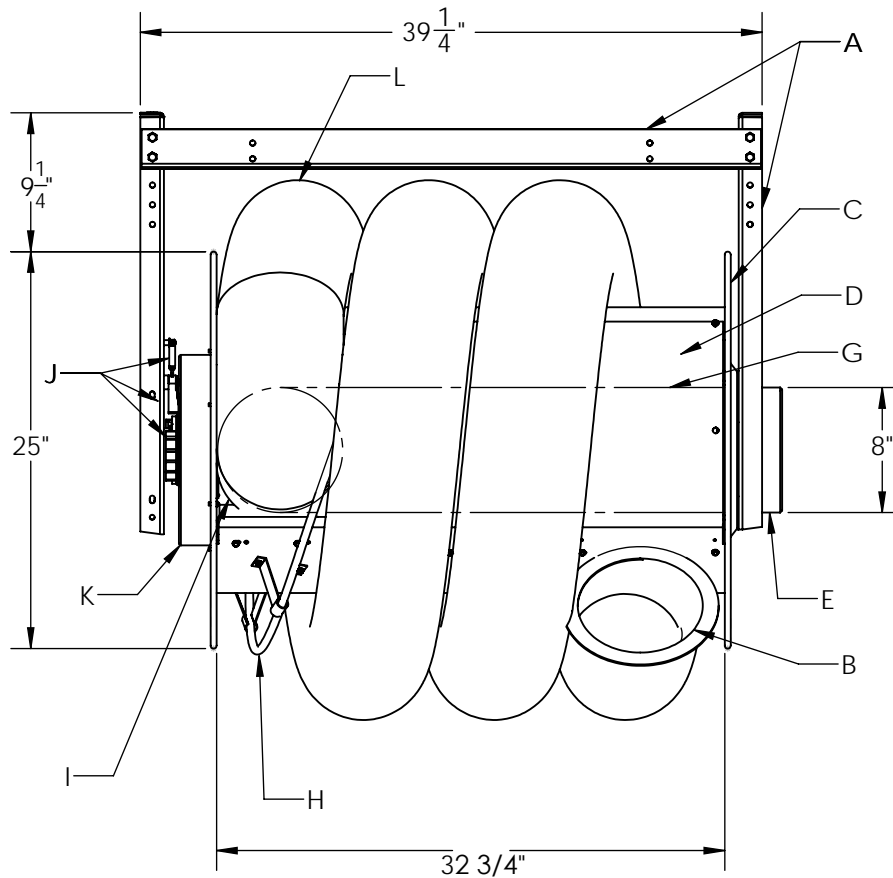
Provided With: _____ Diameter _____ Feet/Hose _____ Series Hose

**TECHNICAL
INFORMATION**

In the interest of continuing product improvement,
we reserve the right to change models,
specifications, and/or features without prejudice.

PROJECT: _____
LOCATION: _____
ARCHITECT: _____
ENGINEER: _____
CONTRACTOR: _____
DATE: _____ SALES ENGINEER: _____

Exploded View



NOTE: The above dimensions are the same for both the motor operated hose reel and the widened version of the spring retractable hose reel (Series 9000-W).

- | | |
|---------------------------------------------------|------------------------------------------|
| A - Heavy Gauge Steel Support Mounting Frame | G - Internal Hose Tube - 8" Diameter |
| B - Adjustable Hose Stop | H - Hose Tracking Bar |
| C - End Flanges | I - Hose to Drum Connector - 8" Diameter |
| D - Drum Assembly - 18" Diameter | J - Lock and Latch Mechanism |
| E - Duct Connection Fitting & Bearing Assembly | K - Spring Cassette Unit |
| F - Optional Mounting Flange for Direct Mount Fan | L - Extraction Hose - 8" Diameter |

<u>Model</u>	<u>Hose Dia.</u>	<u>Max. Hose Capacity on Drum</u>	<u>Drum Diameter</u>	<u>Drum Width</u>	<u>Approx. Wt.</u>
9000-W	8"	24'	18"	32"	200 lbs.

Provided With: _____ Diameter _____ Feet/Hose _____ Series Hose

**TECHNICAL
INFORMATION**

In the interest of continuing product improvement,
we reserve the right to change models,
specifications, and/or features without prejudice.

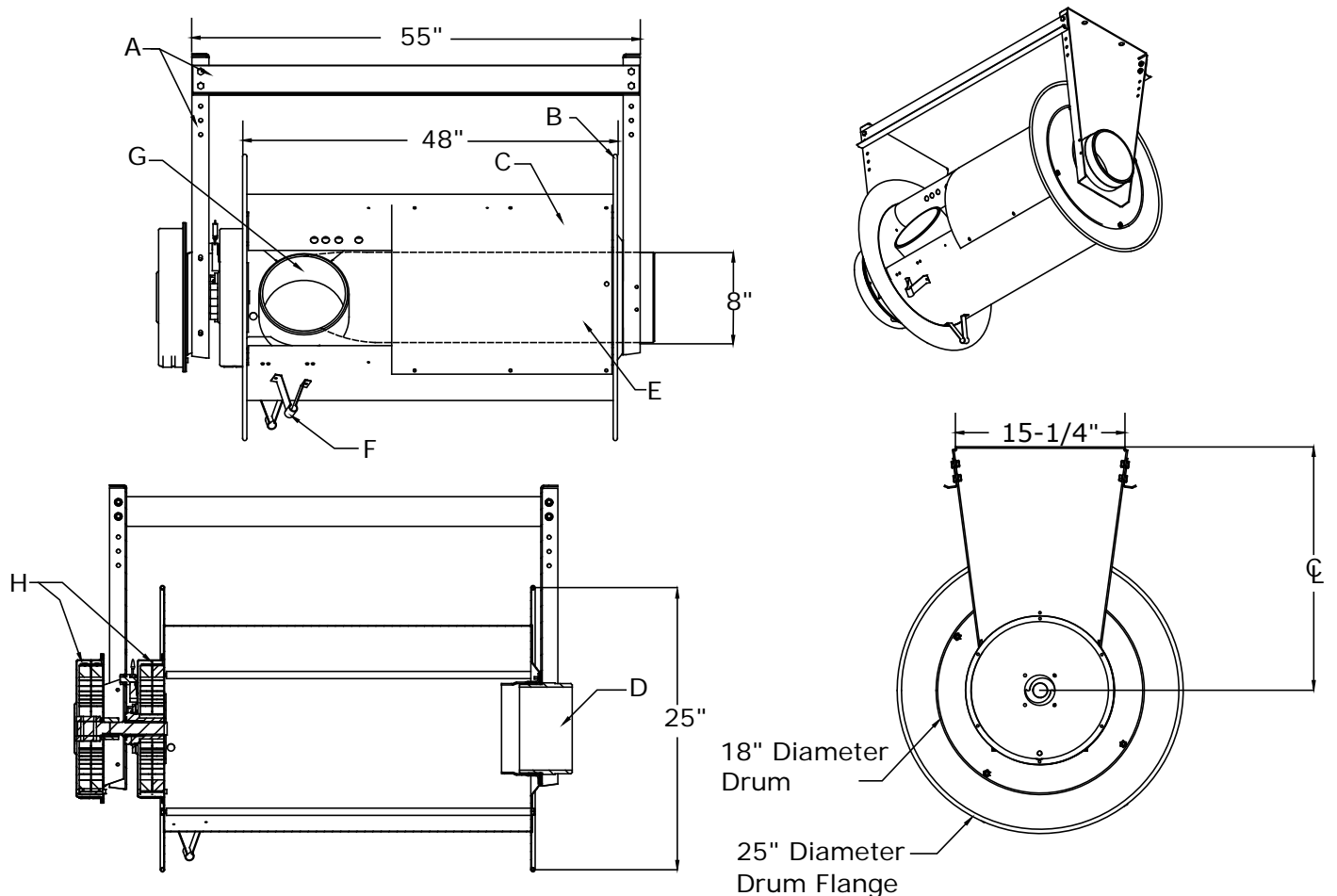
PROJECT: _____
LOCATION: _____
ARCHITECT: _____
ENGINEER: _____
CONTRACTOR: _____
DATE: _____ SALES ENGINEER: _____

www.monoxivent.com

info@monoxivent.com

309-794-1000

Page: HRSO-7



**SERIES
9000-L**

L Series Spring Operated Hose Reel

Component Listing:

- A. Heavy gauge steel support mounting frame
- B. End flange
- C. Drum assembly, 18" diameter
- D. Duct connection fitting & bearing assembly
- E. Internal hose tube, 8" diameter
- F. Hose tracking bar
- G. Hose to drum connector - 8" diameter
- H. Dual spring cassettes

Drum storage capacity for Series 9000-L:

8" Diameter Hose: Up to 44' Hose Length (9000-L with 48" Drum)

*Drum capacity is listed for information only. This does not reflect the length of hose supplied on the hose reel.
Note - the above hose length is for industry standard. Hose reels can be supplied with longer lengths of hose
- please consult factory*



Provided With: _____ Diameter _____ Feet/Hose _____ Series Hose



Spring Retractable Hose Reel
Series 9000 & 9000-W
4", 5", 6" Diameter Hose

TECHNICAL INFORMATION

In the interest of continuing product improvement,
we reserve the right to change models,
specifications, and/or features without prejudice.

PROJECT: _____
LOCATION: _____
ARCHITECT: _____
ENGINEER: _____
CONTRACTOR: _____
DATE: _____ SALES ENGINEER: _____

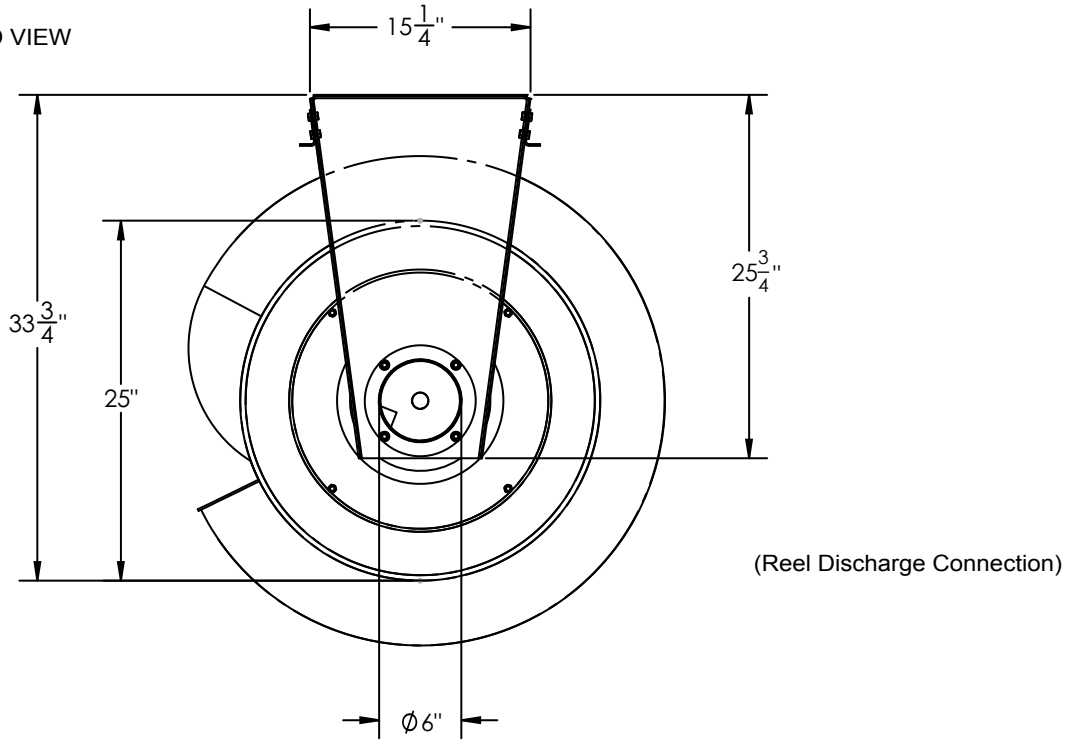
www.monoxivent.com

info@monoxivent.com

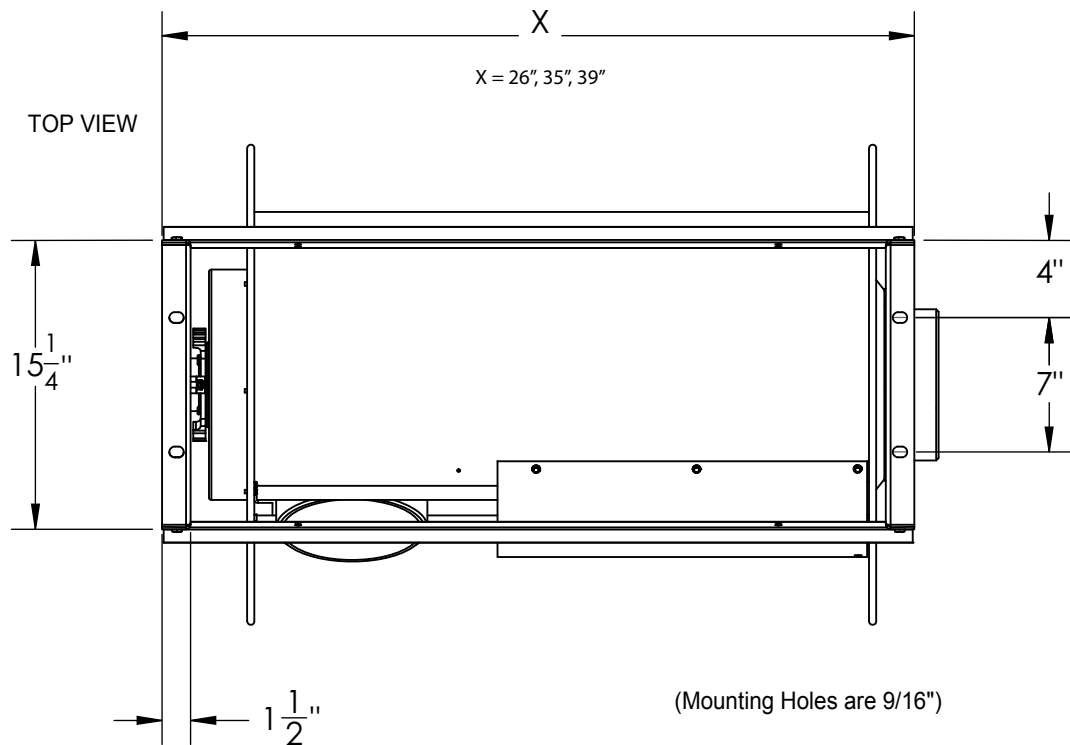
309-794-1000

Page: HRSO-8

SIDE/END VIEW



TOP VIEW





Spring Retractable Hose Reel
Series 9000 & 9000-W
8" Diameter Hose

TECHNICAL INFORMATION

In the interest of continuing product improvement,
we reserve the right to change models,
specifications, and/or features without prejudice.

PROJECT: _____
LOCATION: _____
ARCHITECT: _____
ENGINEER: _____
CONTRACTOR: _____
DATE: _____ SALES ENGINEER: _____

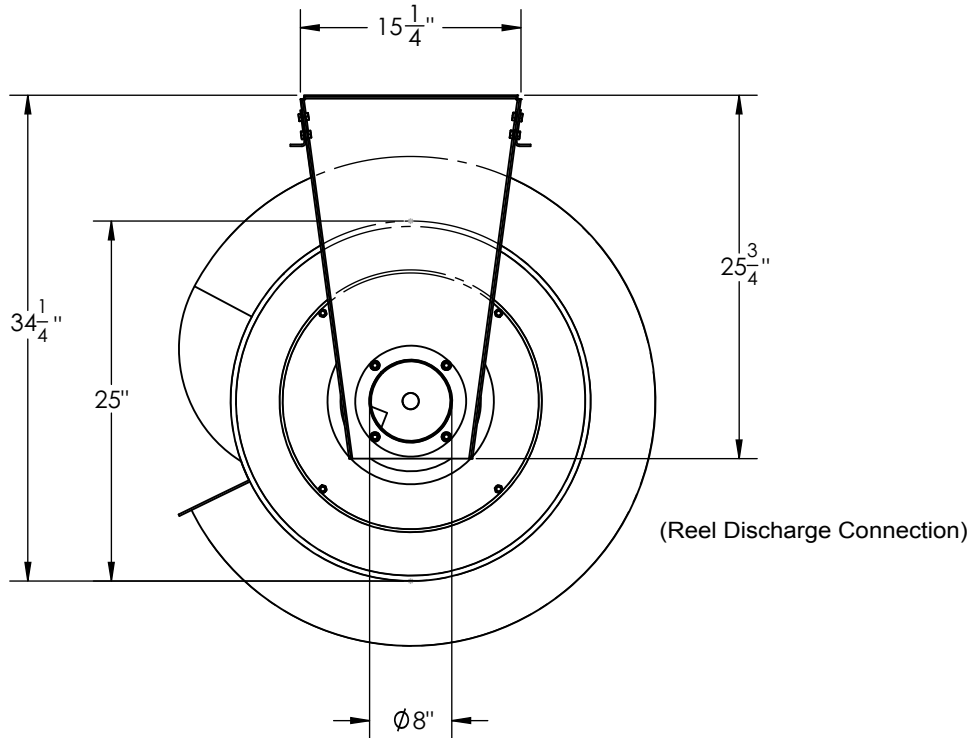
www.monoxivent.com

info@monoxivent.com

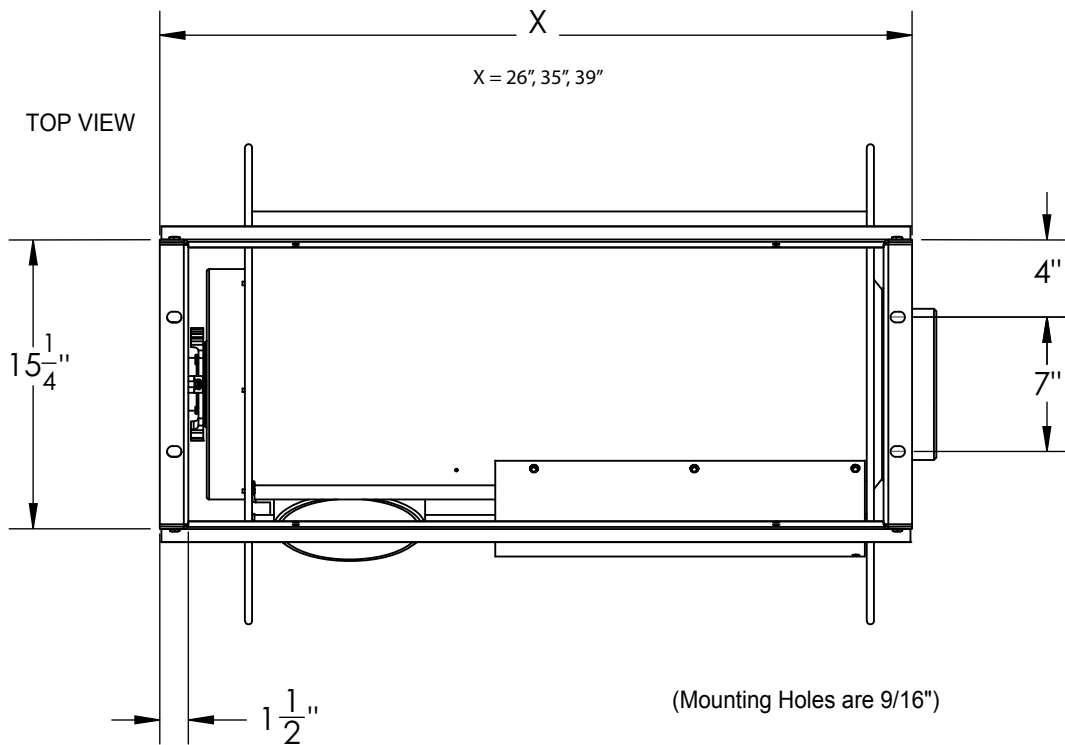
309-794-1000

Page: HRSO-9

SIDE/END VIEW



TOP VIEW

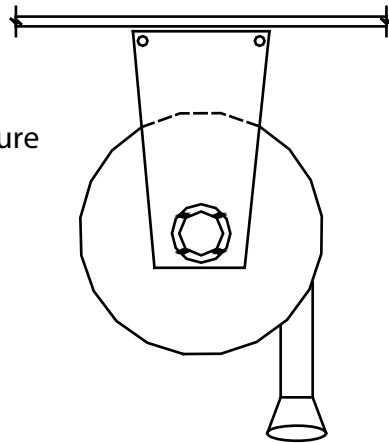


TECHNICAL INFORMATION

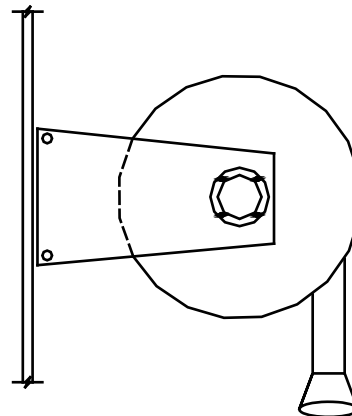
In the interest of continuing product improvement,
we reserve the right to change models,
specifications, and/or features without prejudice.

PROJECT: _____
LOCATION: _____
ARCHITECT: _____
ENGINEER: _____
CONTRACTOR: _____
DATE: _____ SALES ENGINEER: _____

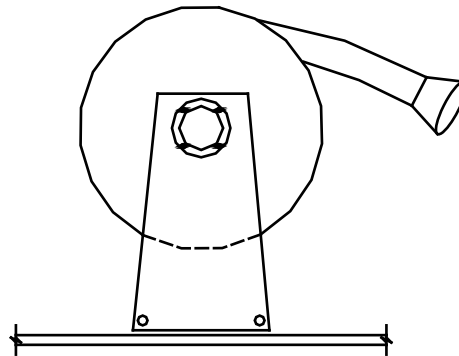
A - Mount From Overhead Support Structure



B - Mount From Side Support Structure



**C - Mount on Floor or On Top of
Overhead Support Structure**



Optional:
Fan On/Off Switch
For Mounting to All

**TECHNICAL
INFORMATION**

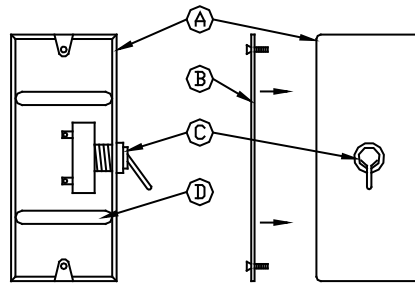
In the interest of continuing product improvement,
we reserve the right to change models,
specifications, and/or features without prejudice.

PROJECT: _____
LOCATION: _____
ARCHITECT: _____
ENGINEER: _____
CONTRACTOR: _____
DATE: _____ SALES ENGINEER: _____

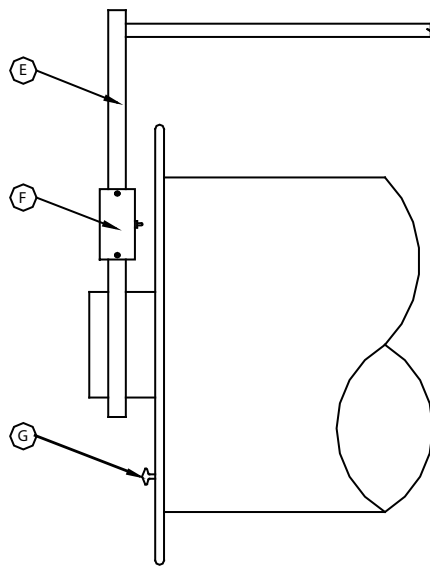
On/Off DMSHR Switch Is An Option

Front Inside View

Side View



On/Off DMSHR Switch Assembly Model # DMSHR



Switch Assembly
Mounted To Hose Reel

A. Sealed Mounting Box
D. (2) Slot Cuts for Adjustment
of Box Depth
G. Bumper pad for Activating
the On/Off Toggle

B. Box Cover Plate
E. H-Reel Support
Mounting Frame

C. On/Off Toggle Switch
F. On/Off Switch Control Assembly



Optional:
Fan On/Off Switch
For Mounting to All

TECHNICAL INFORMATION

In the interest of continuing product improvement,
we reserve the right to change models,
specifications, and/or features without prejudice.

PROJECT: _____
LOCATION: _____
ARCHITECT: _____
ENGINEER: _____
CONTRACTOR: _____
DATE: _____ SALES ENGINEER: _____

www.monoxivent.com

info@monoxivent.com

309-794-1000

Page: HRSO-12

SERIES DMSHR

OPTIONAL DIRECT MOUNT FAN ON/OFF SWITCH

- | | |
|-----------------------------------------------|-------------------------------------------------|
| A - Sealed Mounting Box | E - Hose Reel Support Mounting Frame |
| B - Box Cover Plate | F - On/Off Switch Control Assembly |
| C - On/Off Toggle Switch ** | G - Buffer Pad for Activating the On/Off Toggle |
| D - (2) Slot Cuts for Adjustment of Box Depth | |

ON/OFF SWITCH FUNCTION:

The switch assembly is mounted to the support frame of the hose reel. The depth of the toggle is set to be semi-flush with the switch box. All other depth settings are set using the slotted holes in the switch box. The buffer pad is mounted to the end flange of the hose reel and tightened into place. With the toggle switch firmly in the box, the reel is turned so the buffer pad is directly in line with the switch. The final depth of the toggle box is now set so the buffer and toggle will make slight contact and the toggle arm is either turned on or off by the buffer pad.

The buffer pad is mounted to the end flange of the reel and turns with the reel as the hose is uncoiled or recoiled. As the hose is uncoiled the buffer pad triggers the toggle switch to the on position, thus completing an electrical circuit and the fan start-up begins. As the hose is recoiled, the buffer pad now triggers the toggle switch to the off position, thus disconnecting the electrical circuit. At this point "fan shut-down" occurs.

The switch is only used to complete the electrical circuit. The toggle switches are usually tied to a control box or a starter package for the blower that is in use. Toggle switches may be wired in parallel fashion to activate one central blower or the switches can be used to activate a single direct mount blower on the hose reel.

**** SWITCH SPECIFICATIONS:**

RATING:

- 15 AMP @ 125 VAC
- 10 AMP @ 250 VAC
- 3/4 HP @ 250 VAC



9000-DMPR
Hose Reel, Mechanical
Damper

TECHNICAL INFORMATION

In the interest of continuing product improvement,
we reserve the right to change models,
specifications, and/or features without prejudice.

PROJECT: _____
LOCATION: _____
ARCHITECT: _____
ENGINEER: _____
CONTRACTOR: _____
DATE: _____ SALES ENGINEER: _____

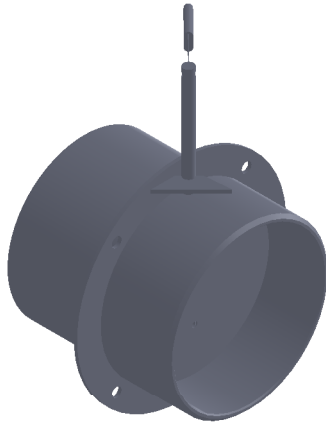
www.monoxivent.com

info@monoxivent.com

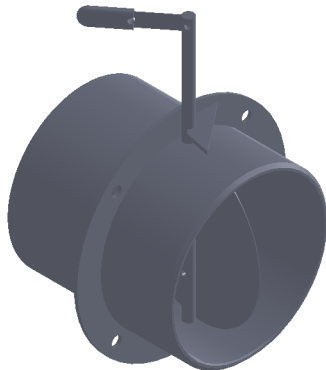
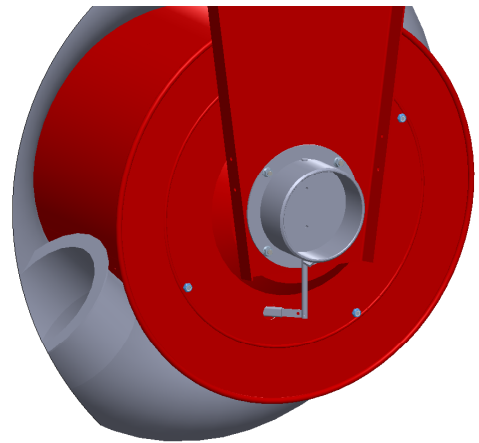
309-794-1000

Page: HRSO-13

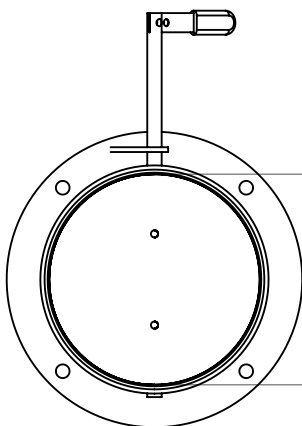
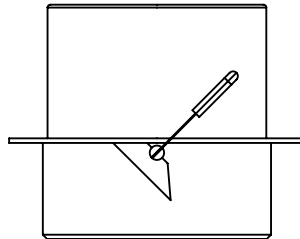
9000-DMPR



Damper Closed

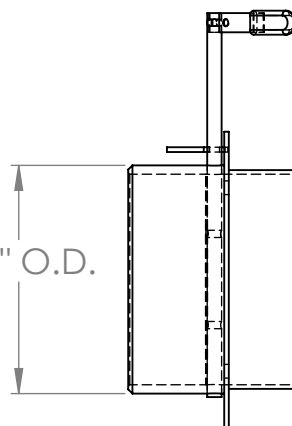


Damper Opened



$\phi 5 \frac{1}{2}$ " I.D.

$\phi 6$ " O.D.



$\phi 5 \frac{3}{4}$ " O.D.



2

Hose Reels, Motor Operated

When selecting a Hose Reel package:

- STEP 1 Determine Hose Reel type (spring or motorized)
Determine type of Hose (4000 or 5000 Series, Contact Factory for other Hose Types)
Determine Necessary Length of Hose
Determine Diameter of Hose for application
- STEP 2 For Motorized Hose Reels only:
Determine if optional Electrical Components (pendulum switch or remote control) are needed
- STEP 3 Determine Nozzle/Adapter Series
Determine Size
Determine other Necessary Features
- STEP 4 Determine if Options are Needed for Nozzles/Adapters
- STEP 5 Determine if Fans are needed
If yes, determine Fan size, Mounting, and any needed Additional Components

Notes:

MODEL NUMBERS FOR HOSE REELS, EXAMPLE 5-9304-W-MTR:

- 5-9304-W-MTR 5000 Series Hose
5-9304-W-MTR 9000 Series Hose Reels
5-9304-W-MTR Hose Length (30')
5-9304-W-MTR Hose Diameter (4")
5-9304-W-MTR Widened Hose Reel
5-9304-W-MTR Motorized Hose Reel

Monoxivent hose reels are offered in a wide variety of models and sizes. Spring-retractable reels, along with motorized reels are available. Connections may be made to a direct mounting fan or to ductwork and a central fan. Many sizes are available - 4"-5"-6" reels are standard, however oversized reels are an option from 8" diameter through 18" diameter.

**PLEASE CONSULT FACTORY FOR OVERSIZED HOSE REELS:
8" DIAMETER through 18" DIAMETER**

Hose (NEW LOCATION IN CATALOG - 11th Tab):

Hose reel model numbers with a **5-** as a prefix use 5000-series hose, while hose reel model numbers that begin with a **9** use 4000-series hose.

4000 SERIES HOSE: The Series 4000 Hose serves as Monoxivent's most common hose for vehicle exhaust source capture. The hose easily withstands temperatures at 600-degrees and is ideal for use with hose reels or overhead exhaust systems. The hose withstands temperatures up to 1250-degrees, intermittent use.

5000 SERIES HOSE: The Series 5000 Hose is a versatile option and may be used for hose reels, overhead exhaust systems, underground systems, welding, industrial use, light-duty material handling, and agricultural use. The hose easily withstands temperatures at 350-degrees. The hose withstands temperatures up to 550-degrees, intermittent use.



Specification:
 Motor Driven HR
 9000-W-TMTR (Tube Type)

TECHNICAL INFORMATION

In the interest of continuing product improvement, we reserve the right to change models, specifications, and/or features without prejudice.

PROJECT: _____
 LOCATION: _____
 ARCHITECT: _____
 ENGINEER: _____
 CONTRACTOR: _____
 DATE: _____ SALES ENGINEER: _____

www.monoxivent.com

info@monoxivent.com

309-794-1000

Page: HRMO-1

MOTOR DRIVEN HOSE REEL SPECIFICATION SERIES 9000-W-TMTR (Tube Type, Chain Driven)

The vehicle exhaust extraction system shall consist of a hose reel with a single phase UL approved, totally enclosed, 120 V, 60 hz, 3.8 AMP, 430 Watt Motor, Limit Switches, and Chain Drive mechanism. Motor and drum rotate at 14-RPM.

SEE MOTOR FEATURES AND SPECIFICATIONS.

Motor to be operated by a spring rocker switch. Rocker switch to be either mounted on the wall, column, or switch may be wired directly to the hose reel and power cord dropped from the reel with the rocker switch mounted in box. Strain relief fittings to be used at both the box and junction on hose reel.

The hose reel shall consist of the following features:

The hose reel side mounting support frame shall be constructed of 11-gauge cold rolled steel. The side plates shall be drawn securely together by two heavy gauge "J" channel steel support braces. Each side plate has two pre-drilled 9/16" diameter holes for mounting of the hose reel.

The hose drum shall be constructed of 16-gauge cold rolled steel. The drum shall be formed and rolled to an 18" diameter and strengthened by four inner support bars. These bars are secured to the drum end flanges and pull the drum tightly against the end flange.

The drum end flanges shall be constructed of 16-gauge cold rolled steel. The end flange outer edge shall be rolled to provide strength and rigidity. Each end flange shall have a center pressed 18" diameter groove. This groove allows the reel drum and end flange to mate so the drum is always centered in relationship to the end flange. The drum's inner support bars draw the end flange securely to the drum for added strength, quality, and reliability.

The hose reel shall have a hose to drum connection fitting allowing for use of either 4", 5", 6", or 8" hose. The connection fitting supports an inner 6" or 8" diameter tube that completes the connection from the extraction hose to the side discharge connection fittings. The side discharge fitting is a complete bearing fitting and allows for the connection of the 6" or 8" diameter discharge duct.

The hose reel drum shall also be supplied with a hose tracking guide bar to guide the hose during recoiling function.

The entire hose reel shall be protected by P&L Virtralon polyester powder coating for longevity and to resist corrosion.



Overhead Exhaust Systems
 Suggestions/Tips
 Sizing & Selection

TECHNICAL INFORMATION

In the interest of continuing product improvement,
 we reserve the right to change models,
 specifications, and/or features without prejudice.

PROJECT: _____
 LOCATION: _____
 ARCHITECT: _____
 ENGINEER: _____
 CONTRACTOR: _____
 DATE: _____ SALES ENGINEER: _____

www.monoxivent.com

info@monoxivent.com

309-794-1000

Page: HRMO-2

SUGGESTIONS ONLY PRODUCT SIZING AND SELECTION

- A. Determine vehicle type and exhaust pipe discharge locations. {under-chassis or vertical stack}
- B. Select proper hose diameter for the vehicle determined. Suggest using 4" hose for autos, vans and small trucks. Suggest using 5" and 6" hose for larger vehicles.
- C. Select CFM requirements for the type of vehicles determined: Suggest using 200 - 300 CFM for autos, vans & small trucks. Suggest using 500 - 600 CFM for larger vehicles.

NOTE - Many facilities do not always run the vehicles at idle. The above listed CFM will allow for a 20 % increase in RPM with adequate air volume if based on the high CFM side. Please consult the factory if higher RPM will be used by the costumer.

- D. Once the CFM has been determined, please consult the graph in the catalog for the static pressure calculations based on the hose diameter, hose length and CFM required. The graph will give you the static pressure loss for the exhaust removal drop.
- E. A suggested formula for central duct static pressure loss can be based upon the following information: Calculate the length of the main duct from the fan to the end of the duct and multiply the length by .006. This calculation give the approximate loss in the main duct. Calculate the number of bends in the main duct and multiply this by .020. Add the drop loss, main loss, and the bend loss and you will have an estimate on the system static pressure loss.
- F. Select the fan based upon the total amount of drops times the CFM per drop. Check you fan graph for the fan to give you the CFM you require at the given static pressure that you have calculated.
- G. To assist in sizing the main duct, the following may be used. Begin with the furthest drop from the fan.

0-450	CFM	6"	2301-3500	CFM	14"
451-800	CFM	8"	3501-4700	CFM	16"
801-1500	CFM	10"	4701-5900	CFM	18"
1501-2300	CFM	12"	5901-6600	CFM	20"

Connecting duct from reel is 6". Whenever possible, it is recommended to use an air flow sweep when connecting the 6" duct from the reel to the main duct.

**TECHNICAL
INFORMATION**

In the interest of continuing product improvement,
we reserve the right to change models,
specifications, and/or features without prejudice.

PROJECT: _____
LOCATION: _____
ARCHITECT: _____
ENGINEER: _____
CONTRACTOR: _____
DATE: _____ SALES ENGINEER: _____

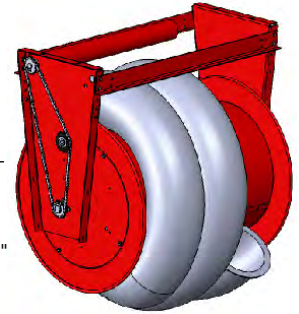
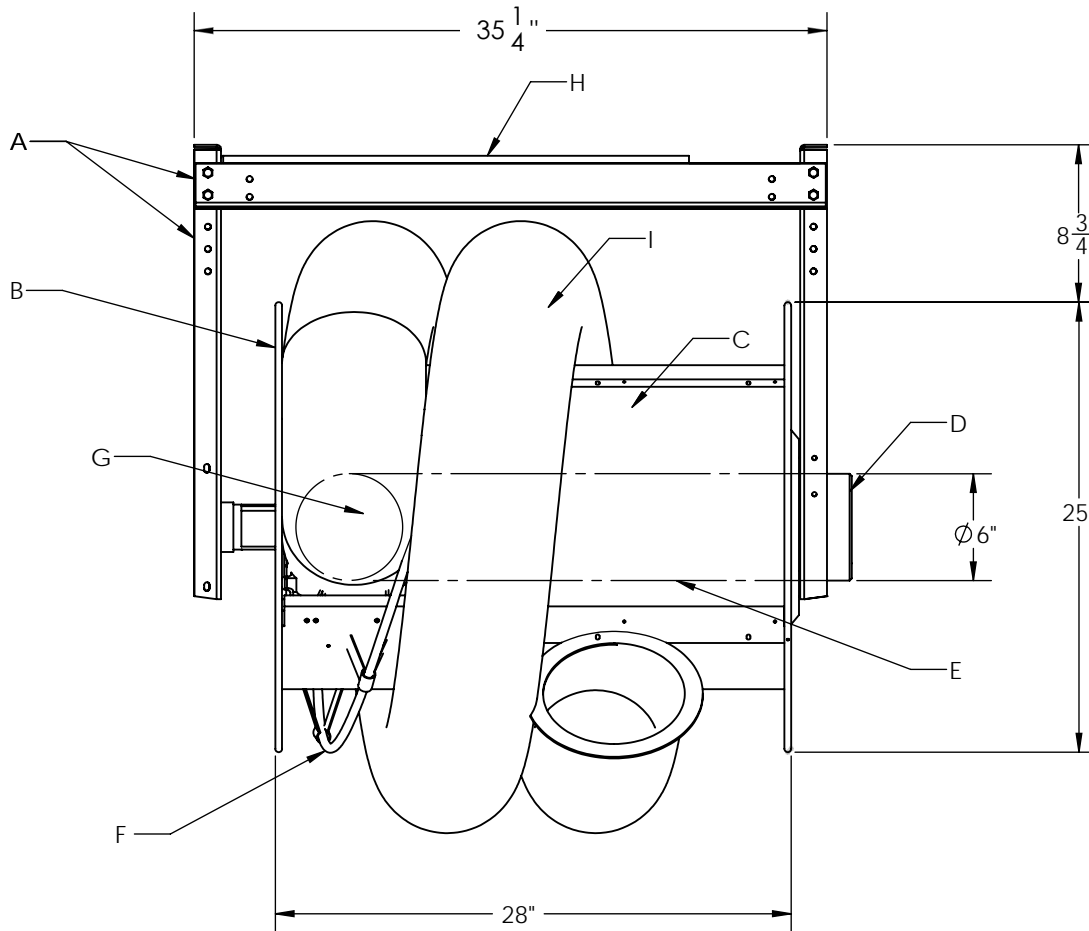
www.monoxivent.com

info@monoxivent.com

309-794-1000

Page: HRMO-3

**EXPLODED VIEW • 9000-W-TMTR
Tube-Type Motor, 28" Drum Width**



*Reel shown
without hinged
chain cover

- A - Heavy Gauge Steel Support Mounting Frame
- B - End Flange
- C - Drum Assembly - 18" Diameter
- D - Duct Connection Fitting & Bearing Assembly
- E - Internal Hose Tube - 6" Diameter
- F - Hose Tracking Bar
- G - Hose to Drum Connector - 4", 5", 6" Diameter

- H - Tube Motor
- I - Extraction Hose - 4", 5" or 6" Diameters

(Standard Hose Lengths are 16', 20', & 24' ... Other
Lengths are Available - Please Contact Factory)

<u>Model</u>	<u>Hose Dia.</u>	<u>Max. Hose Capacity on Drum</u>	<u>Drum Diameter</u>	<u>Drum Width</u>	<u>Approx. Wt.</u>
9000-W-TMTR	4"	40'	18"	28"	210 lbs.
9000-W-TMTR	5"	34'	18"	28"	210 lbs.
9000-W-TMTR	6"	32'	18"	28"	210 lbs.

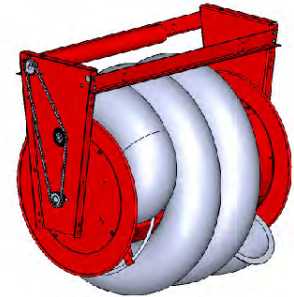
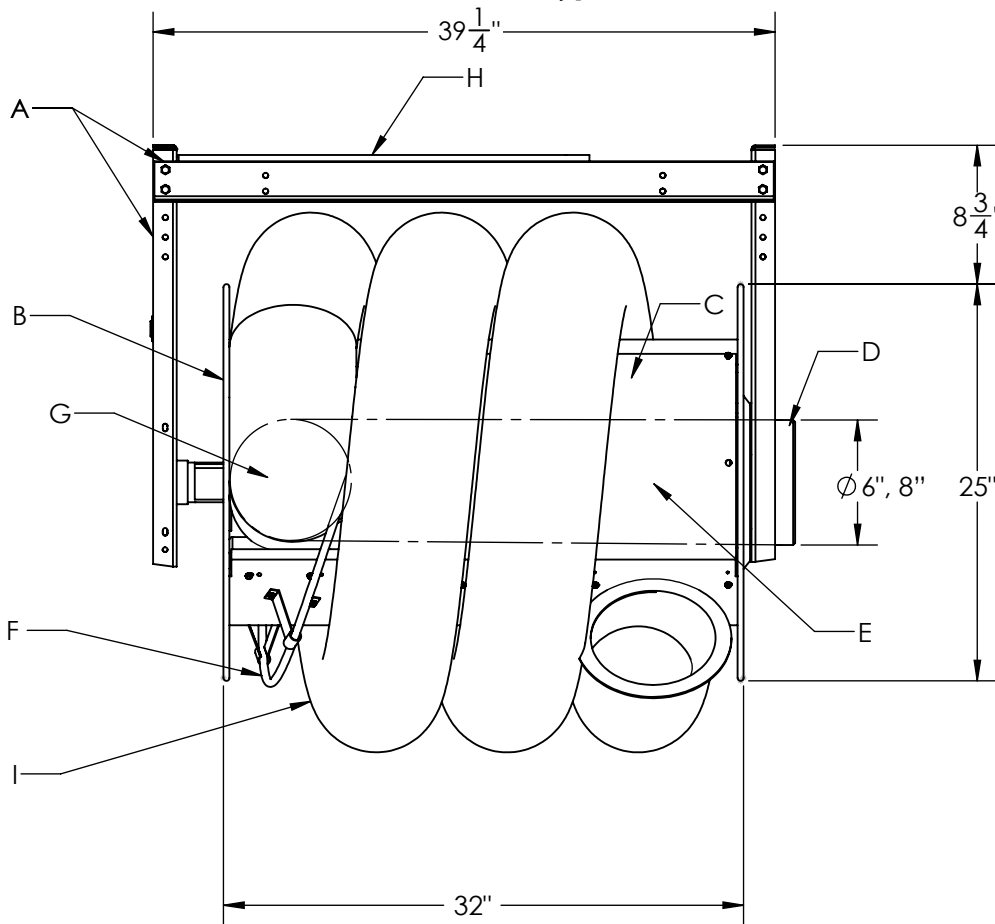
Provided With: _____ Diameter _____ Feet/Hose _____ Series Hose

**TECHNICAL
INFORMATION**

In the interest of continuing product improvement,
we reserve the right to change models,
specifications, and/or features without prejudice.

PROJECT: _____
LOCATION: _____
ARCHITECT: _____
ENGINEER: _____
CONTRACTOR: _____
DATE: _____ SALES ENGINEER: _____

EXPLODED VIEW • 9000-W-TMTR
Tube-Type Motor, 32" Drum Width



*Reel shown
without hinged
chain cover

- A - Heavy Gauge Steel Support Mounting Frame
 - B - End Flange
 - C - Drum Assembly - 18" Diameter
 - D - Duct Connection Fitting & Bearing Assembly
 - E - Internal Hose Tube - 6" or 8" Diameter
 - F - Hose Tracking Bar
 - G - Hose to Drum Connector - 4", 5", 6", 8" Diameter
 - H - Tube Motor
 - I - Extraction Hose - 4", 5", 6", or 8" Diameters
- (Standard Hose Lengths are 16', 20', & 24' ... Other Lengths are Available - Please Contact Factory)

<u>Model</u>	<u>Hose Dia.</u>	<u>Max. Hose Capacity on Drum</u>	<u>Drum Diameter</u>	<u>Drum Width</u>	<u>Approx. Wt.</u>
9000-W-TMTR	4"	50'	18"	32"	210 lbs.
9000-W-TMTR	5"	40'	18"	32"	210 lbs.
9000-W-TMTR	6"	36'	18"	32"	215 lbs.
9000-W-TMTR	8"	24'	18"	32"	220 lbs.

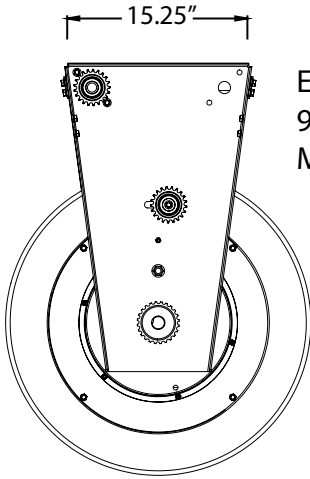
Provided With: _____ Diameter _____ Feet/Hose _____ Series Hose

**TECHNICAL
INFORMATION**

In the interest of continuing product improvement,
we reserve the right to change models,
specifications, and/or features without prejudice.

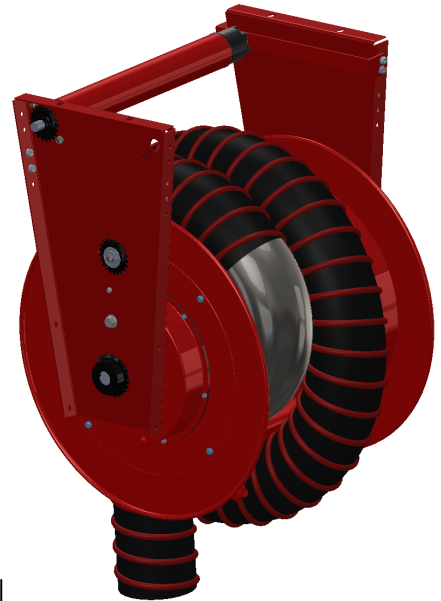
PROJECT: _____
 LOCATION: _____
 ARCHITECT: _____
 ENGINEER: _____
 CONTRACTOR: _____
 DATE: _____ SALES ENGINEER: _____

Tube-Type Motor, 28" & 32" Drum Width

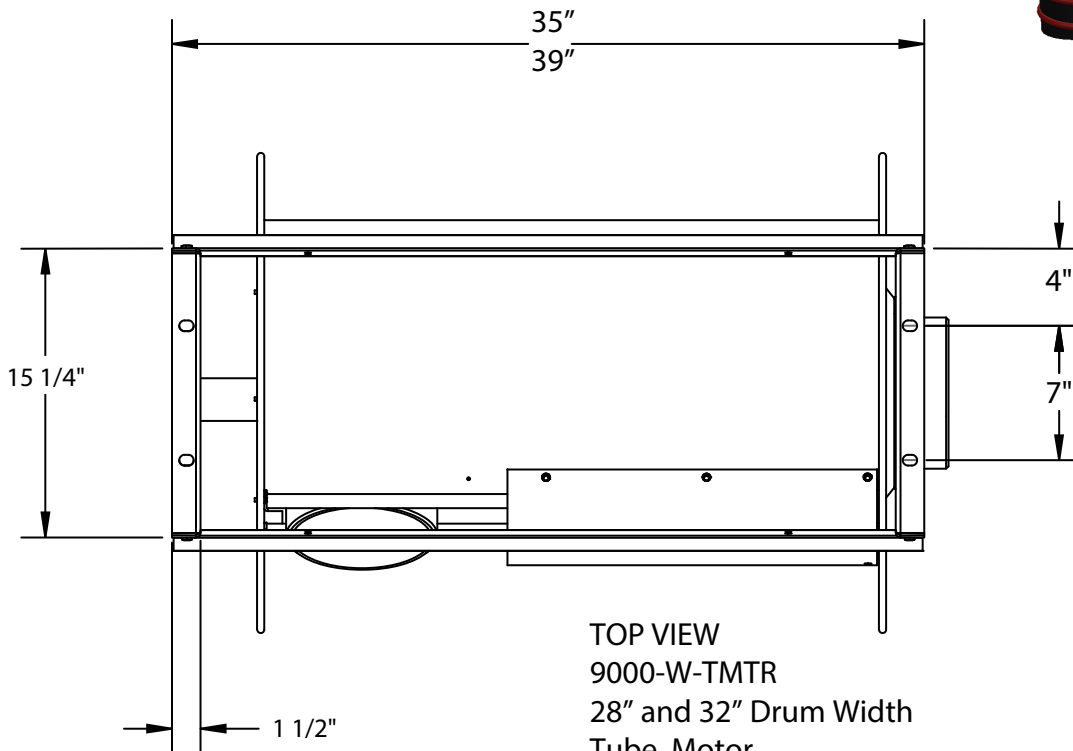


END VIEW
9000-W-TMTR
MOTOR SIDE

Tube Motor Assembly



**Reel shown
without hinged
chain cover*



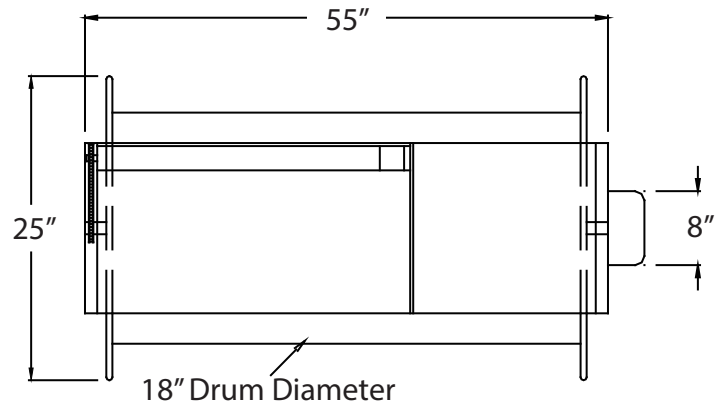
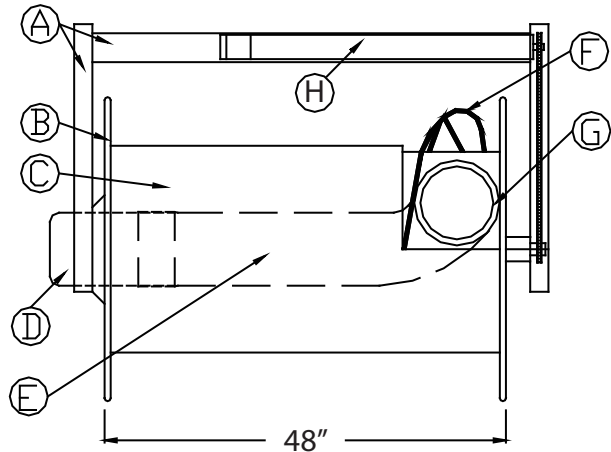
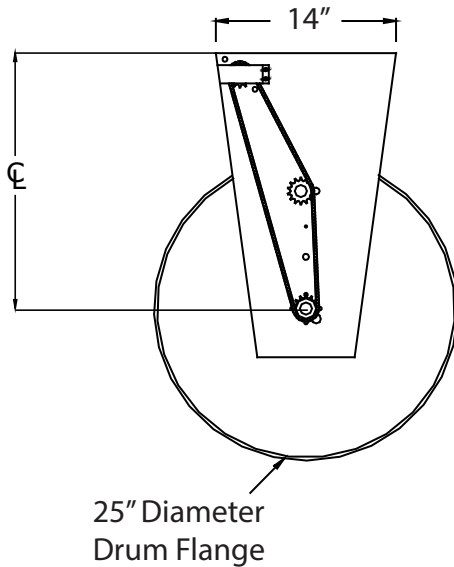
TOP VIEW
9000-W-TMTR
28" and 32" Drum Width
Tube Motor

(Mounting holes are 9/16")

**TECHNICAL
INFORMATION**

In the interest of continuing product improvement,
we reserve the right to change models,
specifications, and/or features without prejudice.

PROJECT: _____
 LOCATION: _____
 ARCHITECT: _____
 ENGINEER: _____
 CONTRACTOR: _____
 DATE: _____ SALES ENGINEER: _____



**SERIES 9000-L-TMTR
MOTOR OPERATED HOSE REEL, W/CHAIN DRIVE**

Component Listing:

- A. Heavy gauge steel support mounting frame
- B. End flange
- C. Drum assembly, 18" diameter
- D. Duct connection fitting & bearing assembly
- E. Internal hose tube, 8" diameter
- F. Hose tracking bar
- G. Hose to drum connector - 8" diameter
- H. Chain drive motor assembly

NOTE: Drum hose capacity for Series 9000-L-TMTR hose reel is as follows:

8" Diameter Hose: Up to 44' Hose Length (9000-L-TMTR with 48" Drum)

NOTE: Hose reel includes a single phase UL approved, totally enclosed, 120 V, 60 hz, 3.8 AMP, 430 Watt Motor and Chain Drive mechanism. Motor and drum to rotate at 14- RPM.

Drum capacity is listed for information only. This does not reflect the length of hose supplied on the hose reel.

NOTE: The above hose lengths are for industry standard. Hose reels can be supplied with longer lengths of hose. Please consult the factory.



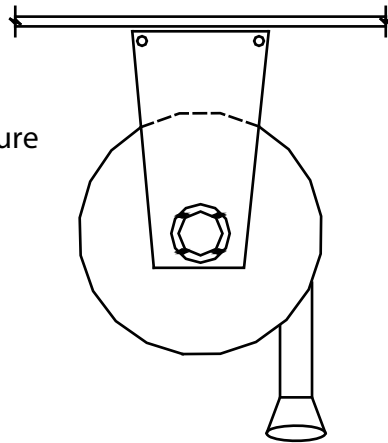
Provided With: _____ Diameter _____ Feet/Hose _____ Series Hose

TECHNICAL INFORMATION

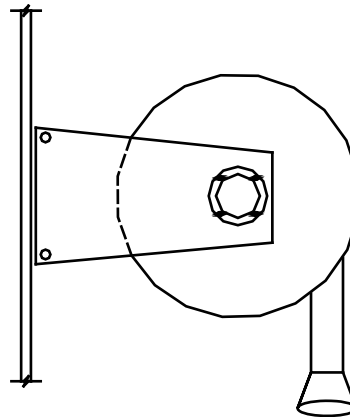
In the interest of continuing product improvement, we reserve the right to change models, specifications, and/or features without prejudice.

PROJECT: _____
LOCATION: _____
ARCHITECT: _____
ENGINEER: _____
CONTRACTOR: _____
DATE: _____ SALES ENGINEER: _____

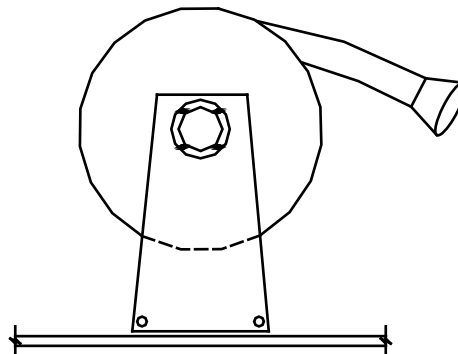
A - Mount From Overhead Support Structure



B - Mount From Side Support Structure



C - Mount on Floor or On Top of Overhead Support Structure



**TECHNICAL
INFORMATION**

In the interest of continuing product improvement,
we reserve the right to change models,
specifications, and/or features without prejudice.

PROJECT: _____
 LOCATION: _____
 ARCHITECT: _____
 ENGINEER: _____
 CONTRACTOR: _____
 DATE: _____ SALES ENGINEER: _____

MOTOR OPERATED
HOSE REELS

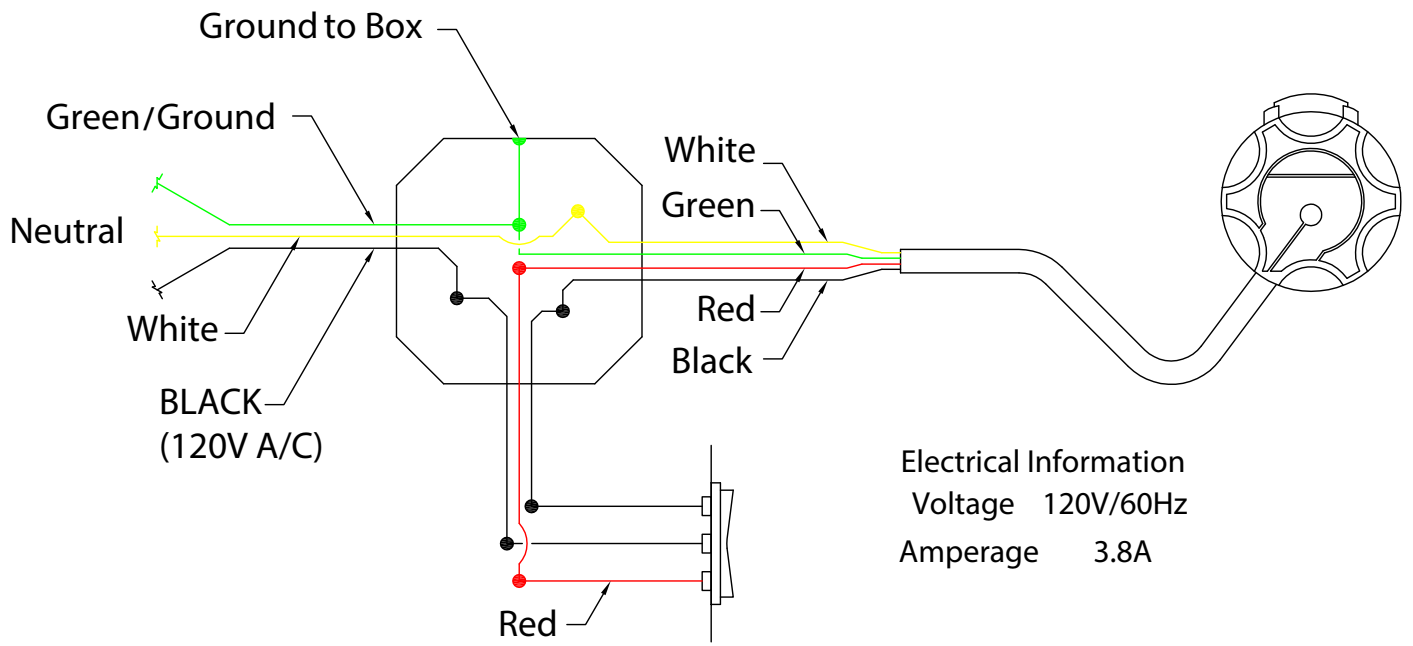
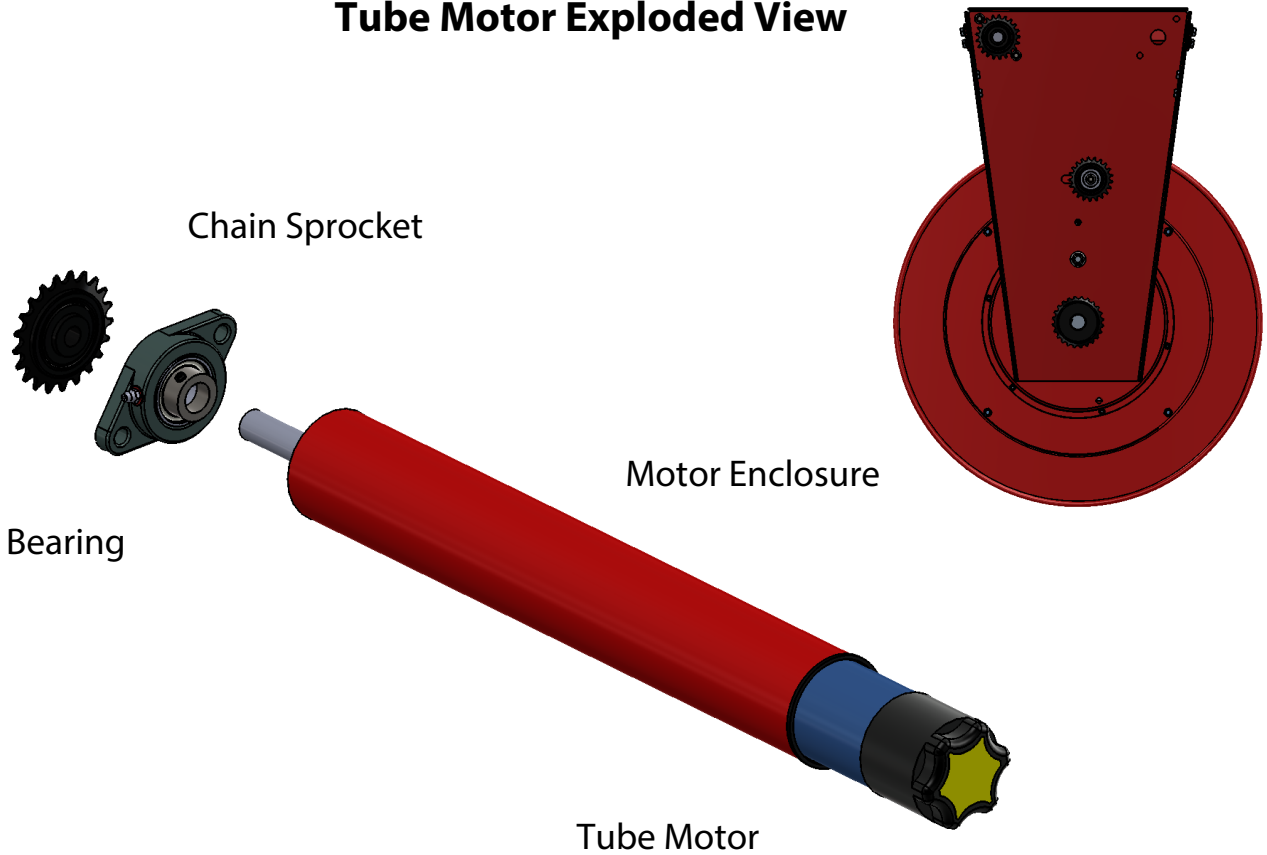
www.monoxivent.com

info@monoxivent.com

309-794-1000

Page: HRMO-8

Tube Motor Exploded View



Electrical Information
Voltage 120V/60Hz
Amperage 3.8A

**TECHNICAL
INFORMATION**

In the interest of continuing product improvement,
we reserve the right to change models,
specifications, and/or features without prejudice.

PROJECT: _____
 LOCATION: _____
 ARCHITECT: _____
 ENGINEER: _____
 CONTRACTOR: _____
 DATE: _____ SALES ENGINEER: _____

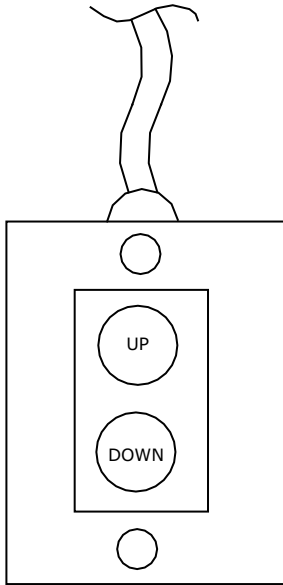
MOTOR OPERATED
HOSE REELS

www.monoxivent.com

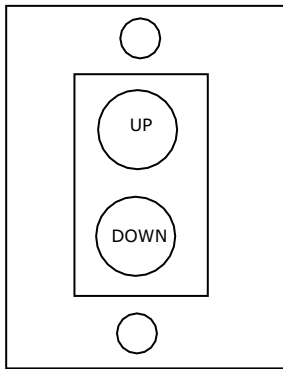
info@monoxivent.com

309-794-1000

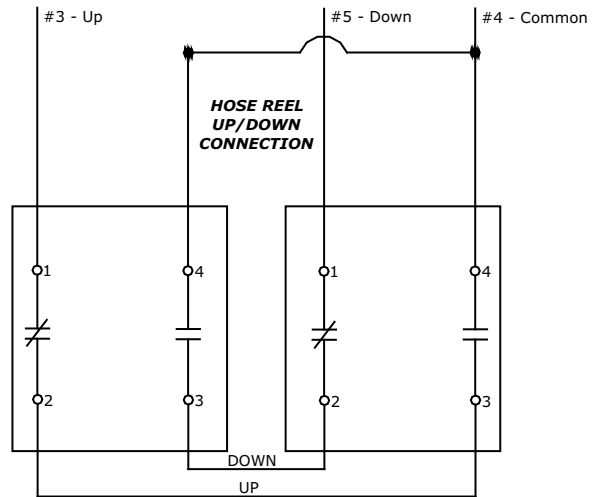
Page: HRMO-9



MONOXIVENT 2-BUTTON PENDULUM



MONOXIVENT 2-BUTTON WALL/COLUMN MOUNT



2-Button Pendulum for "up/down" control of motorized hose reel.

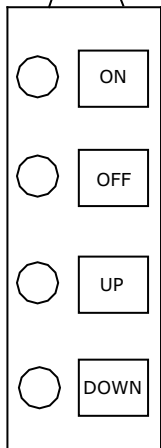
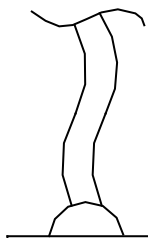
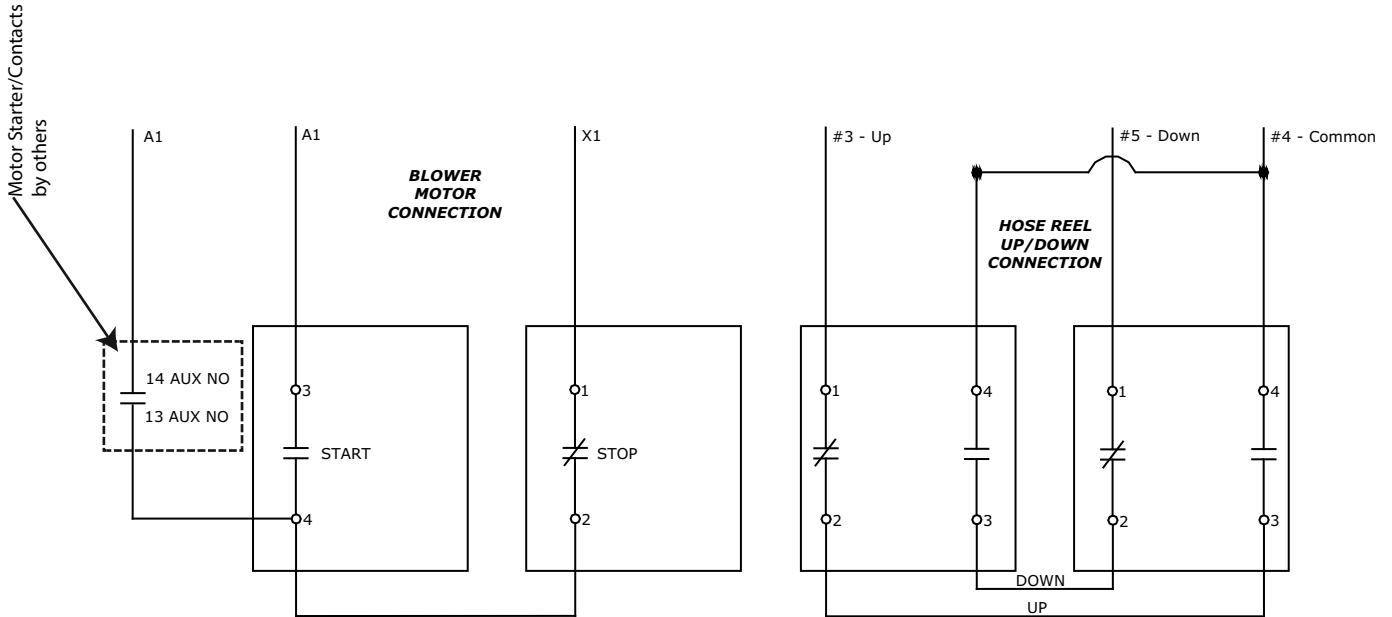
Monoxivent will supply the buttons/switch, box cover, 20' power cord (hanging pendulum only), strain relief fittings (hanging pendulum only), and junction box on hose reel (hanging pendulum only).

**TECHNICAL
INFORMATION**

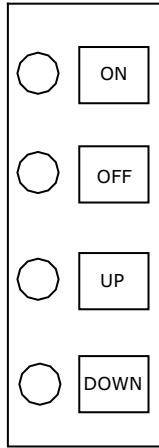
In the interest of continuing product improvement,
we reserve the right to change models,
specifications, and/or features without prejudice.

PROJECT: _____
 LOCATION: _____
 ARCHITECT: _____
 ENGINEER: _____
 CONTRACTOR: _____
 DATE: _____ SALES ENGINEER: _____

MONOXIVENT 4-BUTTON HANGING PENDULUM, 4-BUTTON WALL/COLUMN MOUNT & WIRING DIAGRAM



4-Button
Hanging
Pendulum



4-Button
Wall/Column
Mount

Displayed: the 4-button pendulum, 4-button wall/column mount (and wiring) for "up/down, on/off" control of motorized hose reel with push buttons.

Monoxivent will supply: the push buttons, cover box, 20' power cord (hanging pendulum only), strain relief fittings (hanging pendulum only), and junction box.

TECHNICAL INFORMATION

In the interest of continuing product improvement,
we reserve the right to change models,
specifications, and/or features without prejudice.

PROJECT: _____
LOCATION: _____
ARCHITECT: _____
ENGINEER: _____
CONTRACTOR: _____
DATE: _____ SALES ENGINEER: _____

REMOTE CONTROL HOSE REEL WIRELESS COMMAND II

MONOXIVENT's wireless command II offers radio remote control with carefree plug-in installation. This easy to install product is the perfect solution for controlling our motorized hose reels.

The wireless command II offers customers dependable push button control from a distance. It features a wireless controller that plugs into a standard wall outlet and a compact radio transmitter for convenient hand held operations. The radio transmitter is electronically coded with the wireless controller to provide maximum safety and security.

The MONOXIVENT remote control hose reel is supplied with the 120 volt plug built onto the reel. The direct drive motor is also supplied with the pre-wired plug from the motor will plug from the motor into the controller. All that is required is to supply 120 volt power to the 120 volt plug that is on the hose reel.

Below shows the components supplied and the simple attachment.



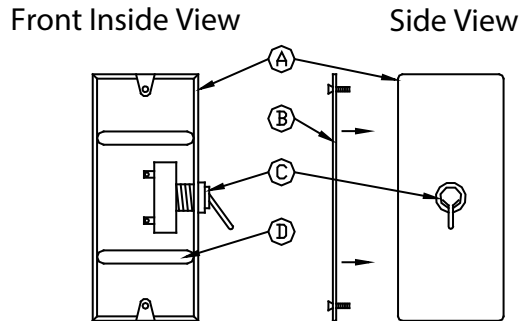
1-Direct Drive Motor Supplied on the Hose Reel; 2-Transmitter; 3-Controller; 4-Pre-wired plug supplied on the direct drive motor; 5-120 VAC outlet supplied on the hose reel

**TECHNICAL
INFORMATION**

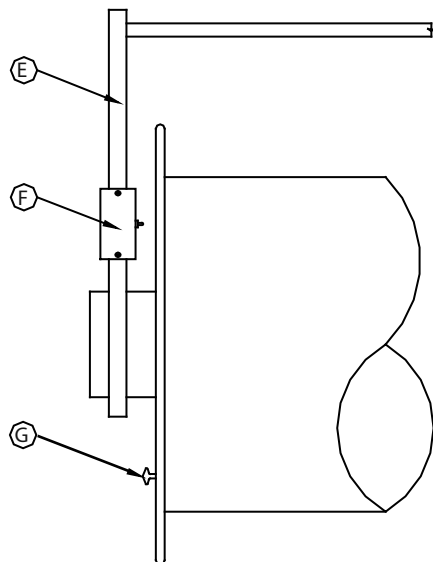
In the interest of continuing product improvement,
we reserve the right to change models,
specifications, and/or features without prejudice.

PROJECT: _____
 LOCATION: _____
 ARCHITECT: _____
 ENGINEER: _____
 CONTRACTOR: _____
 DATE: _____ SALES ENGINEER: _____

On/Off DMSHR Switch is an Option



On/Off DMSHR Switch Assembly Model # DMSHR



Switch Assembly
Mounted to Hose Reel

- A. Sealed Mounting Box
- D. (2) Slot Cuts for Adjustment of Box Depth
- G. Bumper Pad for Activating the On/Off Toggle

- B. Box Cover Plate
- E. H-Reel Support Mounting Frame

- C. On/Off Toggle Switch
- F. On/Off Switch Control Assembly



Optional:
Fan On/Off Switch for
Mounting to Hose Reels

TECHNICAL INFORMATION

In the interest of continuing product improvement,
we reserve the right to change models,
specifications, and/or features without prejudice.

PROJECT: _____
LOCATION: _____
ARCHITECT: _____
ENGINEER: _____
CONTRACTOR: _____
DATE: _____ SALES ENGINEER: _____

www.monoxivent.com

info@monoxivent.com

309-794-1000

Page: HRMO-13

MOTOR OPERATED
HOSE REELS

SERIES DMSHR

OPTIONAL DIRECT MOUNT FAN ON/OFF SWITCH

- | | |
|-----------------------------------------------|-------------------------------------------------|
| A - Sealed Mounting Box | E - Hose Reel Support Mounting Frame |
| B - Box Cover Plate | F - On/Off Switch Control Assembly |
| C - On/Off Toggle Switch ** | G - Bumper Pad for Activating the On/Off Toggle |
| D - (2) Slot Cuts for Adjustment of Box Depth | |

ON/OFF SWITCH FUNCTION:

The switch assembly is mounted to the support frame of the hose reel. The depth of the toggle is set to be semi-flush with the switch box. All other depth settings are set using the slotted holes in the switch box. The bumper pad is mounted to the end flange of the hose reel and tightened into place. With the toggle switch firmly in the box, the reel is turned so the bumper pad is directly in line with the switch. The final depth of the toggle box is now set so the bumper and toggle will make slight contact and the toggle arm is either turned on or off by the bumper pad.

The bumper pad is mounted to the end flange of the reel and turns with the reel as the hose is uncoiled or recoiled. As the hose is uncoiled the bumper pad triggers the toggle switch to the on position, thus completing an electrical circuit and the fan start-up begins. As the hose is recoiled, the bumper pad now triggers the toggle switch to the off position, thus disconnecting the electrical circuit. At this point "fan shut-down" occurs.

The switch is only used to complete the electrical circuit. The toggle switches are usually tied to a control box or a starter package for the blower that is in use. Toggle switches may be wired in parallel fashion to activate one central blower or the switches can be used to activate a single direct mount blower on the hose reel.

**** SWITCH SPECIFICATIONS:**

RATING:

- 15 AMP @ 125 VAC
- 10 AMP @ 250 VAC
- 3/4 HP @ 250 VAC

TECHNICAL INFORMATION

In the interest of continuing product improvement,
we reserve the right to change models,
specifications, and/or features without prejudice.

PROJECT: _____
LOCATION: _____
ARCHITECT: _____
ENGINEER: _____
CONTRACTOR: _____
DATE: _____ SALES ENGINEER: _____

SPRING OPERATED
HOSE REELS

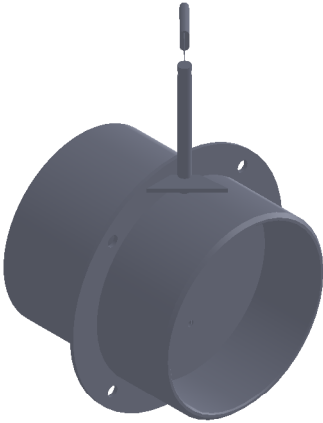
www.monoxivent.com

info@monoxivent.com

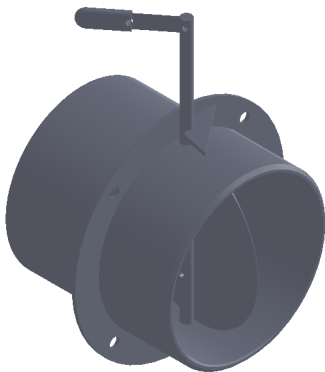
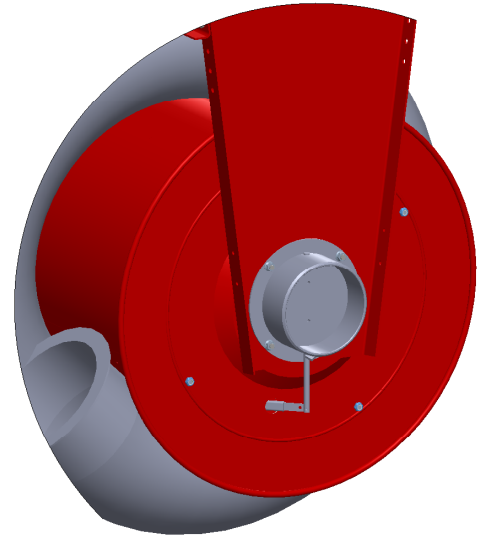
309-794-1000

Page: HRMO-14

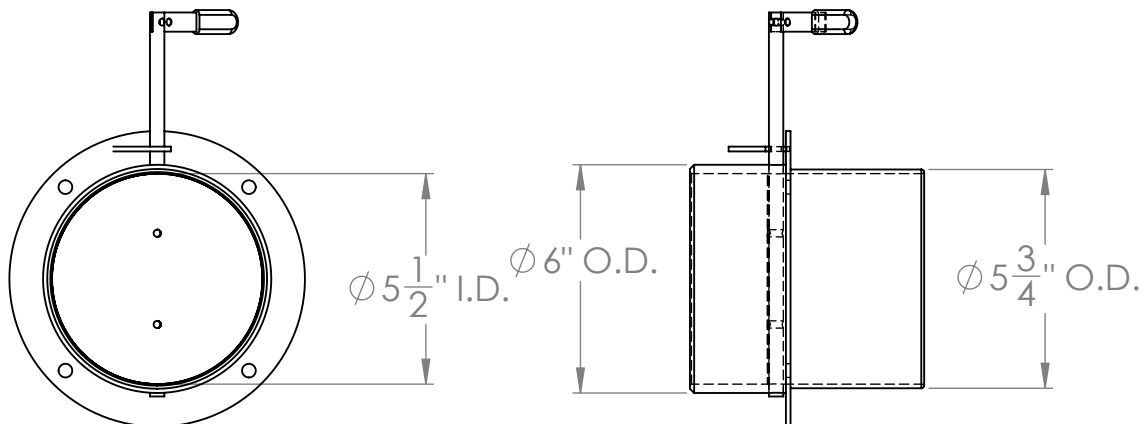
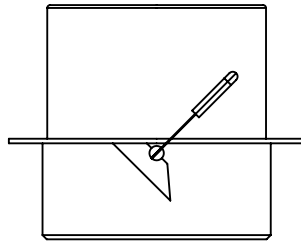
9000-DMPR



Damper Closed



Damper Opened





XL Series Hose Reel
Motor Operated
24" Drum

TECHNICAL INFORMATION

In the interest of continuing product improvement, we reserve the right to change models, specifications, and/or features without prejudice.

PROJECT: _____
 LOCATION: _____
 ARCHITECT: _____
 ENGINEER: _____
 CONTRACTOR: _____
 DATE: _____ SALES ENGINEER: _____

www.monoxivent.com

info@monoxivent.com

309-794-1000

Page: HRMO-15

XL Series Hose Reels - Oversized • 24" Drum, Overview

The vehicle exhaust extraction system shall consist of a hose reel with a **Standard:** 1/2 HP 115/230/1 chain drive ODP motor assembly (**Optional:** 1/2 HP 230/460/3). The drive shaft shall be 1 1/2" diameter and run in a 4-bolt regreaseable flange type roller bearing.

Motor to be operated by a 2-button up/down switch. 2-button switch to be either mounted on the wall, column, or switch may be wired directly to the hose reel. When wired directly to hose reel, the power cord is dropped from the reel with the 2-button switch mounted in the box. Strain relief fittings are used at both the box and junction on the hose reel.

The motor and drive assembly shall be covered by an 18-gauge mild steel enclosure. The enclosure will have a removable access panel for motor servicing.

The hose reel shall consist of the following features:

The hose reel side mounting support A frame shall be constructed of 10-gauge mild steel. The A frames shall be securely attached to a one-piece 10-gauge formed steel mounting frame. The top plate has laser cut 9/16" diameter holes for the mounting of the hose reel.

The hose drum shall be constructed of 16-gauge cold rolled steel. The drum shall be formed and rolled to a 24" diameter and strengthened by inner support bars. These bars are secured to the drum end flanges. The drum is pulled tightly against the end flanges.

The drum end flanges shall be constructed of 12-gauge hot rolled steel. The end flange's outer lip shall have a rubber edge guard. Each end flange shall have laser-cut notches to accept pre-cut tabs on the drum. This allows the reel drum and end flanges to mate so the drum is always centered in relationship to the end flange. The drum's inner support bars draw the end flanges securely to the drum for added strength, quality, and reliability.

The hose reel shall have a hose to drum connection fitting, allowing for use of 8", 10", or 12" hose. The connection fitting supports an inner 8", 10", or 12" diameter tube that completes the connection from the extraction hose to the side discharge connection fittings. The side discharge fitting is a complete regreaseable fitting and allows for the connection of the discharge duct. The side discharge fitting shall accept 15" diameter duct.

The drum end outlet collar and the A frame support outlet collar shall be formed from 1/4" mild steel. The A-Frame support outlet Collar ID shall be 1/16" larger than the OD of the drum end collar.

A 1/4" UHMW seal flange with a matching bolt hole pattern shall be furnished with the A-frame outlet collar. A 3/8" mild steel bearing bracket will be welded to the interior of the collar. A sleeve-type SOLID-LUBE self lubricating, self-aligning, bearing for extreme industrial applications shall be utilized. The bearing shall be rated for -40 F to 700 F temperatures. As an option, a 1,000 F bearing is available. The drum end outlet collar has a welded 3/8" shaft bracket and 1 1/2" diameter shaft.

The hose reel drum shall also be supplied with a hose tracking bar to guide the hose during the re-coiling function.

The entire hose reel shall be protected by a red polyester powder coating for longevity and to resist corrosion. (Other colors available upon request)

The motor operated hose reel shall be equipped with a manual override lever on the drive assembly.



24" DRUM WIDTH • CAPACITIES

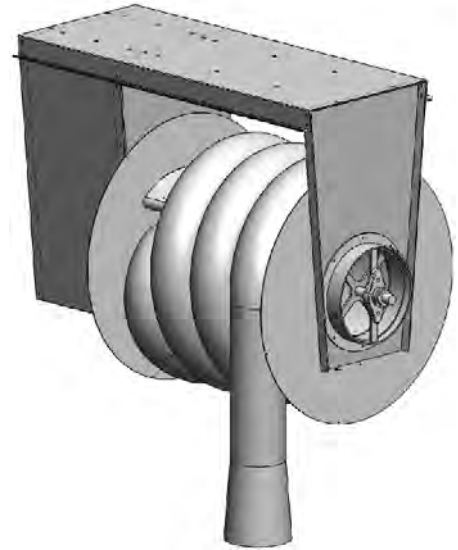
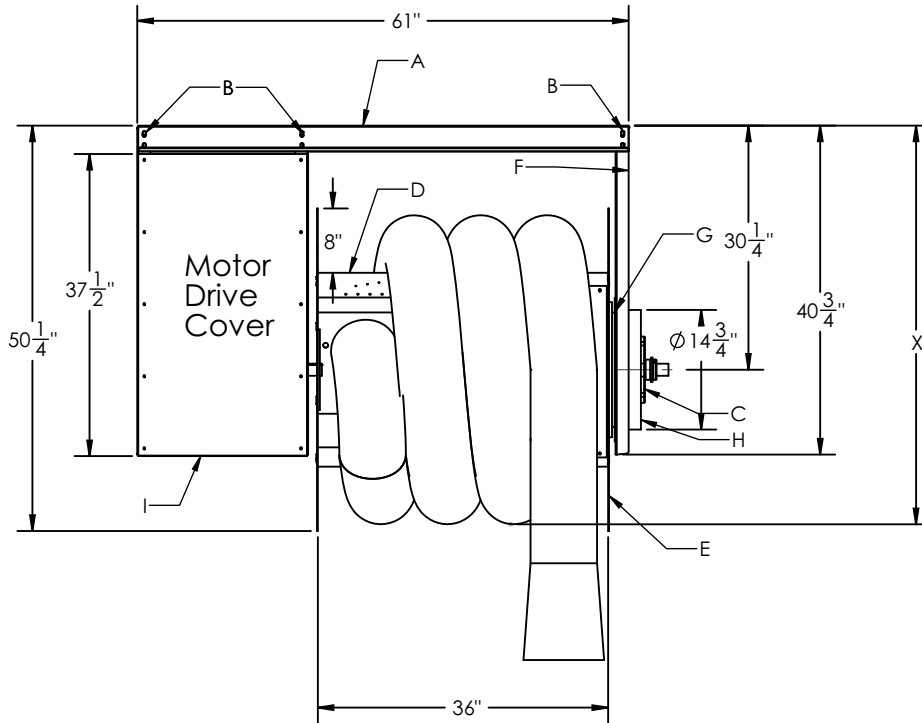
Model	Drum Dia.	Drum W.	Hose Dia.	Hose Capacity
XL-24-3	24"	3'	8"	Up to 35'
	24"	3'	10"	Up to 30'
	24"	3'	12"	Up to 25'
XL-24-5	24"	5'	8"	Up to 65'
	24"	5'	10"	Up to 55'
	24"	5'	12"	Up to 50'
XL-24-7	24"	7'	8"	Up to 95'
	24"	7'	10"	Up to 85'
	24"	7'	12"	Up to 75'

**TECHNICAL
INFORMATION**

In the interest of continuing product improvement, we reserve the right to change models, specifications, and/or features without prejudice.

PROJECT: _____
 LOCATION: _____
 ARCHITECT: _____
 ENGINEER: _____
 CONTRACTOR: _____
 DATE: _____ SALES ENGINEER: _____

XL Series Hose Reels - Oversized • 24" Drum Diameter - 3' Drum Width (XL-24-3)



- ID:
- A. Support Frame
 - B. 9/16" Mounting Holes, through A-Frame and Base Plate (Location for Hanger Channels)
 - C. Bearings
 - D. 16-Gauge Drum
 - E. 12-Gauge Drum Ends
 - F. 10-Gauge End Frame
 - G. Interior outlet bearing sleeve
 - H. Inner, Outer Ring Outlet
 - I. 18-Gauge Motor Cover

"X" Dimension (Nominal ID), with Hose on Reel:

- 8" diameter hose = 51"
- 10" diameter hose = 53"
- 12" diameter hose = 55"

* Note #1: The outside dimension, for the Nominal Hose ID, may vary - please consult factory.

* Note #2: Nominal dimensions, without allowances for materials to hang and support hose reels.

NOTES:

- * XL-24-3: Weight - 620 lbs.
- * Operator - Standard: 1/2 HP 115/230/1 or Optional: 1/2 HP 230/460/3 Chain Driven ODP Motor Assembly, 2-button Up/Down Switch, and Internal Automatic Reset Thermal Overload
- * Optional: Explosion Proof Motor Drive with Push Button Control
- * Hose Reel shall be powder-coated Red (optional stainless steel construction)
- * Contact factory for flex hose options



24" DRUM WIDTH • CAPACITIES

Model	Drum Dia.	Drum W.	Hose Dia.	Hose Capacity
XL-24-3	24"	3'	8"	Up to 35'
	24"	3'	10"	Up to 30'
	24"	3'	12"	Up to 25'

**TECHNICAL
INFORMATION**

In the interest of continuing product improvement, we reserve the right to change models, specifications, and/or features without prejudice.

PROJECT: _____
 LOCATION: _____
 ARCHITECT: _____
 ENGINEER: _____
 CONTRACTOR: _____
 DATE: _____ SALES ENGINEER: _____

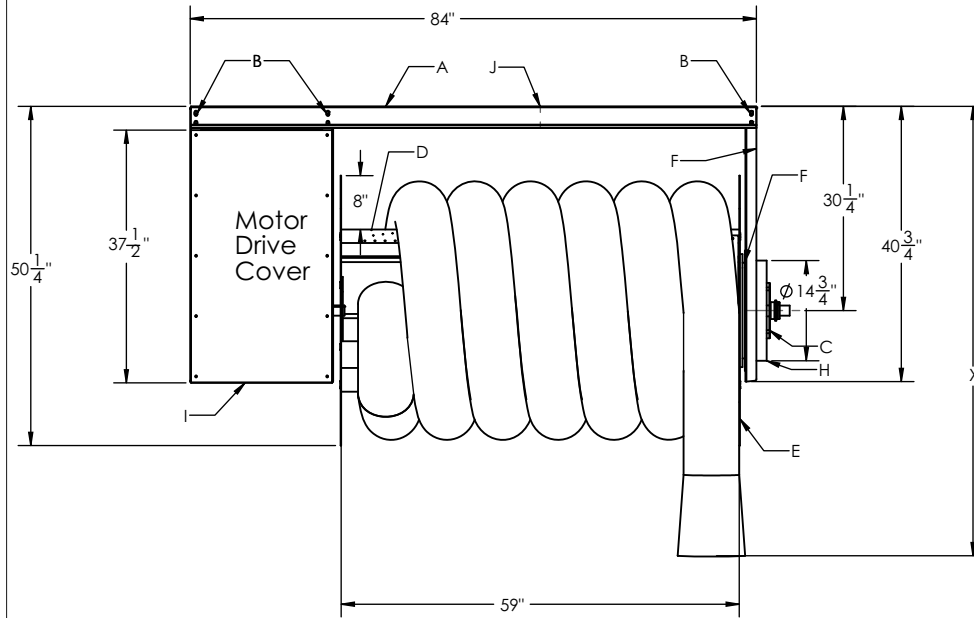
www.monoxivent.com

info@monoxivent.com

309-794-1000

Page: HRMO-17

XL Series Hose Reels - Oversized • 24" Drum Diameter - 5' Drum Width (XL-24-5)



**XL-24-5 MONOXIVENT
ID/DESCRIPTION**

- A. Support Frame
- B. 3/16" mounting holes through A frame and base plate/location for hanger channels
- C. Bearing
- D. 16-Gauge Dr
- E. 12-Gauge Drum Ends
- F. 10-Gauge End Frame
- G. Interior outlet bearing sleeve
- H. Inner, Outer Ring Outlet
- I. 18-Gauge Motor Cover
- J. Mid point hanger channel location

- X Dimension (Nominal ID):
- 8" diameter hose = 51"
 - 10" diameter hose = 53"
 - 12" diameter hose = 55"

* Note #1: The outside dimension, for the Nominal Hose ID, may vary - please consult factory.

* Note #2: Nominal dimensions, without allowances for materials to hang and support hose reels.

NOTES:

- XL-24-5: Weight - 630 lbs.
- * Operator - Standard: 1/2 HP 115/230/1 or Optional: 1/2 HP 230/460/3 Chain Driven ODP Motor Assembly, 2-button Up/Down Switch, and Internal Automatic Reset Thermal Overload
- Optional: Explosion Proof Motor Drive with Push Button Control
- Hose Reel shall be powder-coated Red (optional Stainless Steel Construction)
- Contact Factory for Flex Hose Options



24" DRUM WIDTH • CAPACITIES

Model	Drum Dia.	Drum W.	Hose Dia.	Hose Capacity
XL-24-5	24"	5'	8"	Up to 65'
	24"	5'	10"	Up to 55'
	24"	5'	12"	Up to 50'

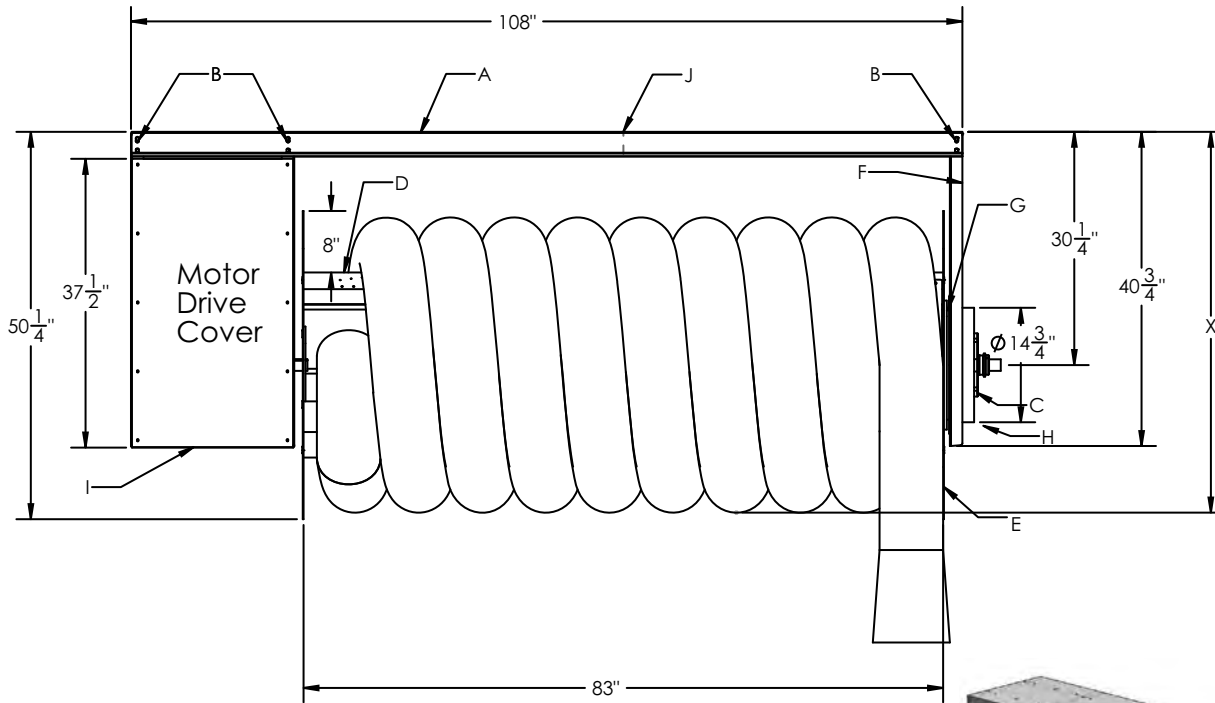
MOTOR OPERATED HOSE REELS

**TECHNICAL
INFORMATION**

In the interest of continuing product improvement, we reserve the right to change models, specifications, and/or features without prejudice.

PROJECT: _____
 LOCATION: _____
 ARCHITECT: _____
 ENGINEER: _____
 CONTRACTOR: _____
 DATE: _____ SALES ENGINEER: _____

XL Series Hose Reels - Oversized • 24" Drum Diameter - 7' Drum Width (XL-24-7)



**XL-24-7 MONOXIVENT
ID/DESCRIPTION**

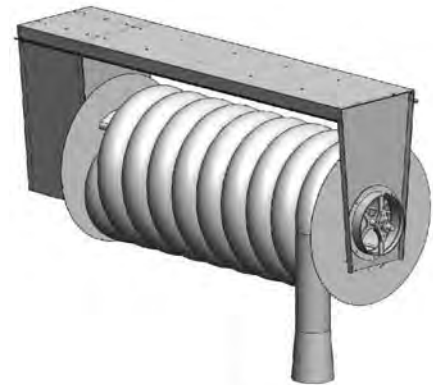
- A. Support Frame
- B. 5/8" mounting holes through A frame and base plate/location for hanger channels
- C. Bearing
- D. 16-Gauge Dr
- E. 12-Gauge Drum Ends
- F. 10-Gauge End Frame
- G. Interior outlet bearing sleeve
- H. Inner, Outer Ring Outlet
- I. 18-Gauge Motor Cover
- J. Mid point hanger channel location

X Dimension (Nominal ID):

- 8" diameter hose = 51"
- 10" diameter hose = 53"
- 12" diameter hose = 55"

* Note #1: The outside dimension, for the Nominal Hose ID, may vary - please consult factory.

* Note #2: Nominal dimensions, without allowances for materials to hang and support hose reels.



NOTES:

- XL-24-7: Weight - 680 lbs.
- * Operator - Standard: 1/2 HP 115/230/1 or Optional: 1/2 HP 230/460/3 Chain Driven ODP Motor Assembly, 2-button Up/Down Switch, and Internal Automatic Reset Thermal Overload
- Optional: Explosion Proof Motor Drive with Push Button Control
- Hose Reel shall be powder-coated Red (optional Stainless Steel Construction)
- Contact Factory for Flex Hose Options



24" DRUM WIDTH • CAPACITIES

Model	Drum Dia.	Drum W.	Hose Dia.	Hose Capacity
XL-24-7	24"	7'	8"	Up to 95'
	24"	7'	10"	Up to 85'
	24"	7'	12"	Up to 75'

**TECHNICAL
INFORMATION**

In the interest of continuing product improvement,
we reserve the right to change models,
specifications, and/or features without prejudice.

PROJECT: _____
LOCATION: _____
ARCHITECT: _____
ENGINEER: _____
CONTRACTOR: _____
DATE: _____ SALES ENGINEER: _____

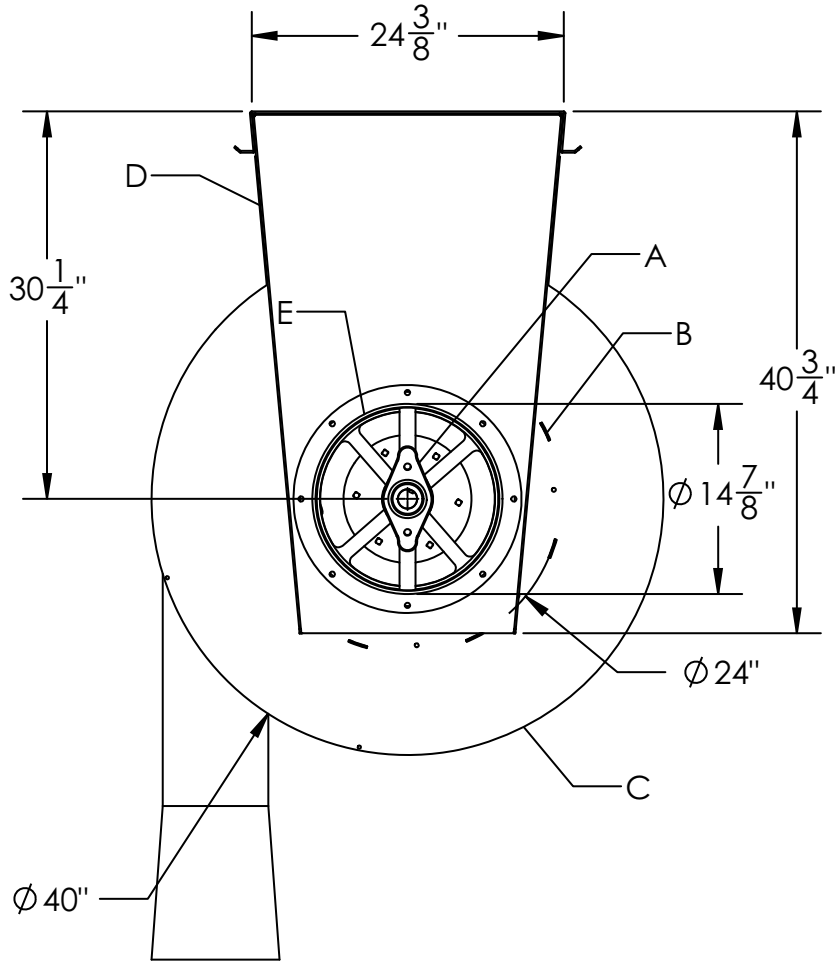
www.monoxivent.com

info@monoxivent.com

309-794-1000

Page: HRMO-19

XL Series Hose Reels - Oversized • 24" Drum SIDE VIEW for Models XL-24-3, XL-24-5, XL-24-7



NOTES:

- Operator - Standard: 1/2 HP 115/230/1 or
Optional: 1/2 HP 230/460/3 Chain Driven ODP Motor Assembly
2-button Up/Down Switch, and Internal Automatic Reset Thermal
Overload
- Optional: Explosion Proof Motor Drive with Push Button
Control
- Hose Reel shall be powder-coated Red (optional
Stainless Steel Construction)
- Contact Factory for Flex Hose Options

**XL- 24 MONOXIV
ID/DESCRIPTION**

- A. Inlet Drum Beari
Spark Free Operation Available
With Optional Bearings
- B. 16-Gauge Drum
- C. 12-Gauge Drum En
- D. 10-Gauge End Fra
- E. Duct Connection Coll



XL Series Hose Reel
Motor Operated
36" Drum

TECHNICAL INFORMATION

In the interest of continuing product improvement, we reserve the right to change models, specifications, and/or features without prejudice.

PROJECT: _____
 LOCATION: _____
 ARCHITECT: _____
 ENGINEER: _____
 CONTRACTOR: _____
 DATE: _____ SALES ENGINEER: _____

MOTOR OPERATED HOSE REELS

www.monoxivent.com

info@monoxivent.com

309-794-1000

Page: HRMO-20

XL Series Hose Reels - Oversized • 36" Drum, Overview

The vehicle exhaust extraction system shall consist of a hose reel with a **Standard:** 3/4 HP 115/230/1 chain drive ODP motor assembly (**Optional:** 3/4 HP 230/460/3). The drive shaft shall be 1 1/2" diameter and be supported by two bearings, one at each end of the shaft. The bearings shall be a 4-bolt regreasable flange type roller bearing.

Motor to be operated by a 2-button up/down switch. 2-button switch to be either mounted on the wall, column, or switch may be wired directly to the hose reel. When wired directly to hose reel, the power cord is dropped from the reel with the 2-button switch mounted in the box. Strain relief fittings are used at both the box and junction on the hose reel.

The motor and drive assembly shall be covered by an 18-gauge mild steel enclosure. The enclosure will have a removable access panel for motor servicing.

The hose reel shall consist of the following features:

The hose reel side mounting support A frame shall be constructed of 10-gauge mild steel. The A frames shall be securely attached to a one-piece 10-gauge formed steel mounting frame. The top plate has laser cut 9/16" diameter holes for the mounting of the hose reel.

The hose drum shall be constructed of 16-gauge cold rolled steel. The drum shall be formed and rolled to a 36" diameter and strengthened by inner support bars. These bars are secured to the drum end flanges. The drum is pulled tightly against the end flanges.

The drum end flanges shall be constructed of 12-gauge hot rolled steel. The end flange's outer lip shall have a rubber edge guard. Each end flange shall have laser-cut notches to accept pre-cut tabs on the drum. This allows the reel drum and end flanges to mate so the drum is always centered in relationship to the end flange. The drum's inner support bars draw the end flanges securely to the drum for added strength, quality, and reliability.

The hose reel shall have a hose to drum connection fitting, allowing for use of 14", 16", or 18" hose. The connection fitting supports an inner 14", 16", or 18" diameter tube that completes the connection from the extraction hose to the side discharge connection fittings. The side discharge fitting allows for the connection of the discharge duct. The side discharge fitting shall accept 21" diameter duct.

The drum end outlet collar and the A frame support outlet collar shall be formed from 1/4" mild steel. The A-Frame support outlet Collar ID shall be 1/16" larger than the OD of the drum end collar.

A 1/4" UHMW seal flange with a matching bolt hole pattern shall be furnished with the A-frame outlet collar. A 3/8" mild steel bearing bracket will be welded to the interior of the collar. A sleeve-type SOLID-LUBE self lubricating, self-aligning, bearing for extreme industrial applications shall be utilized. The bearing shall be rated for -40 F to 700 F temperatures. As an option, a 1,000 F bearing is available. The drum end outlet collar has a welded 3/8" shaft bracket and 1 1/2" diameter shaft.

The hose reel drum shall also be supplied with a hose tracking bar to guide the hose during the re-coiling function.

The entire hose reel shall be protected by a red polyester powder coating for longevity and to resist corrosion. (Other colors available upon request)

The motor operated hose reel shall be equipped with a manual override lever on the drive assembly.



36" DRUM WIDTH • CAPACITIES

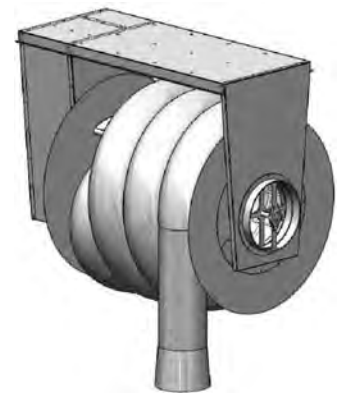
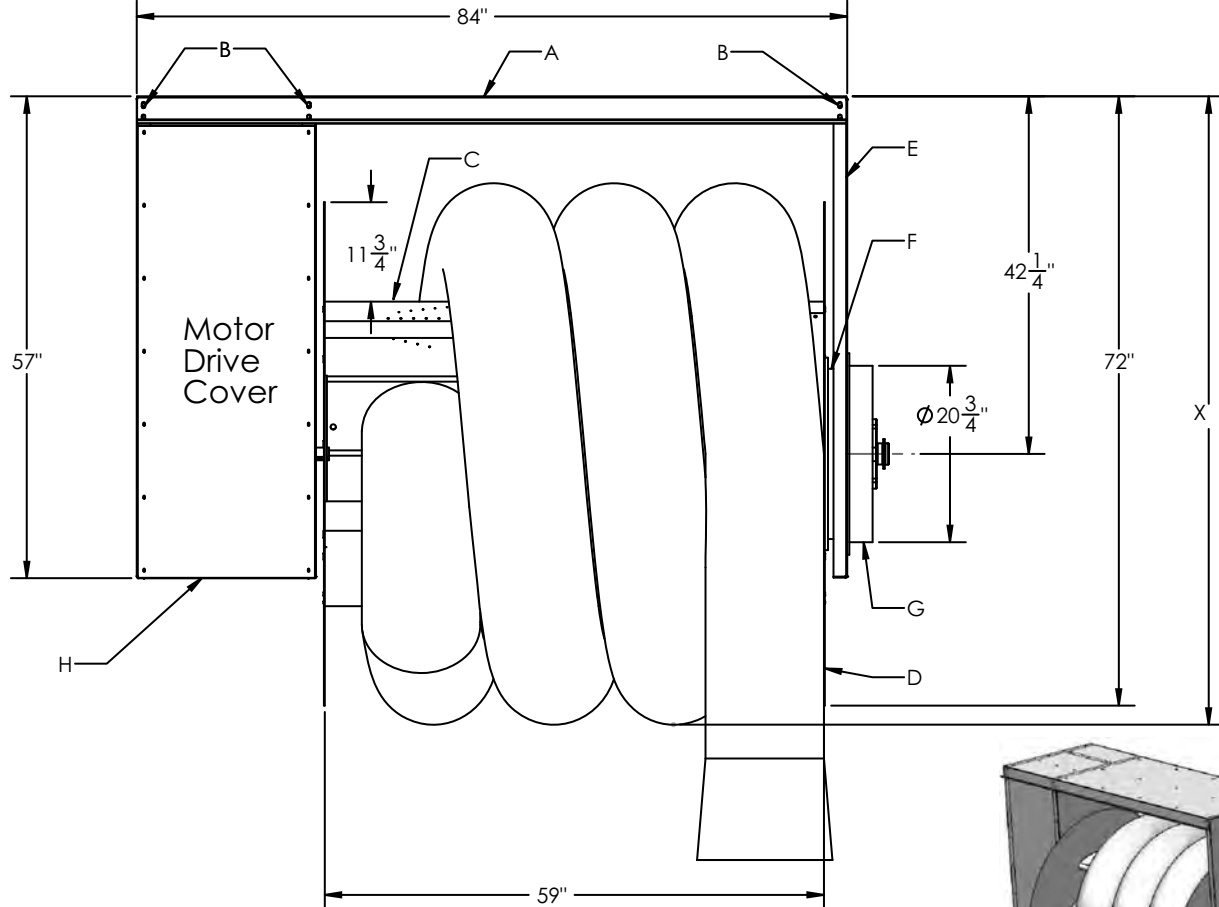
Model	Drum Dia.	Drum W.	Hose Dia.	Hose Capacity
XL-36-5	36"	5'	14"	Up to 50'
	36"	5'	16"	Up to 45'
	36"	5'	18"	Up to 40'
XL-36-7	36"	7'	14"	Up to 80'
	36"	7'	16"	Up to 75'
	36"	7'	18"	Up to 65'

**TECHNICAL
INFORMATION**

In the interest of continuing product improvement, we reserve the right to change models, specifications, and/or features without prejudice.

PROJECT: _____
 LOCATION: _____
 ARCHITECT: _____
 ENGINEER: _____
 CONTRACTOR: _____
 DATE: _____ SALES ENGINEER: _____

XL Series Hose Reels - Oversized • 36" Drum Diameter - 5' Drum Width (XL-36-5)



XL-36-5 MONOXIVENT

ID/Description

- A. Support Fra
- B. Hanger Channel, Bolt Connecti
- C. 16-Gauge Dr
- D. 12-Gauge Drum En
- E. 10-Gauge End Fra
- F. Interior outlet bearing slee
- G. Inner, Outer Ri
- H. 18-Gauge Motor Cov

X Dimension (Nominal ID):

- 14" diameter hose = 73 1/2"
- 16" diameter hose = 75 1/2"
- 18" diameter hose = 77 1/2"

* Note #1: The outside dimension, for the Nominal Hose ID, may vary - please consult factory.

* Note #2: Nominal dimensions, without allowances for materials to hang and support hose reels.

NOTES:

- * XL-36-5: Weight - 660 lbs.
- * Operator: Standard: 3/4 HP 115/230/1 or Optional: 3/4 HP 230/460/3 Chain Drive ODP Motor Assembly, 2-Button Up/Down Switch, and Internal Automatic Reset Thermal Overload
- * Optional: Explosian Proof Motor Drive with Push Button Control
- * Hose Reel shall be powder-coated Red (optional stainless steel construction)
- * Contact Factory for Flex Hose Options



36" DRUM WIDTH • CAPACITIES

Model	Drum Dia.	Drum W.	Hose Dia.	Hose Capacity
XL-36-5	36"	5'	14"	Up to 50'
	36"	5'	16"	Up to 45'
	36"	5'	18"	Up to 40'

**TECHNICAL
INFORMATION**

In the interest of continuing product improvement, we reserve the right to change models, specifications, and/or features without prejudice.

PROJECT: _____
 LOCATION: _____
 ARCHITECT: _____
 ENGINEER: _____
 CONTRACTOR: _____
 DATE: _____ SALES ENGINEER: _____

MOTOR OPERATED
HOSE REELS

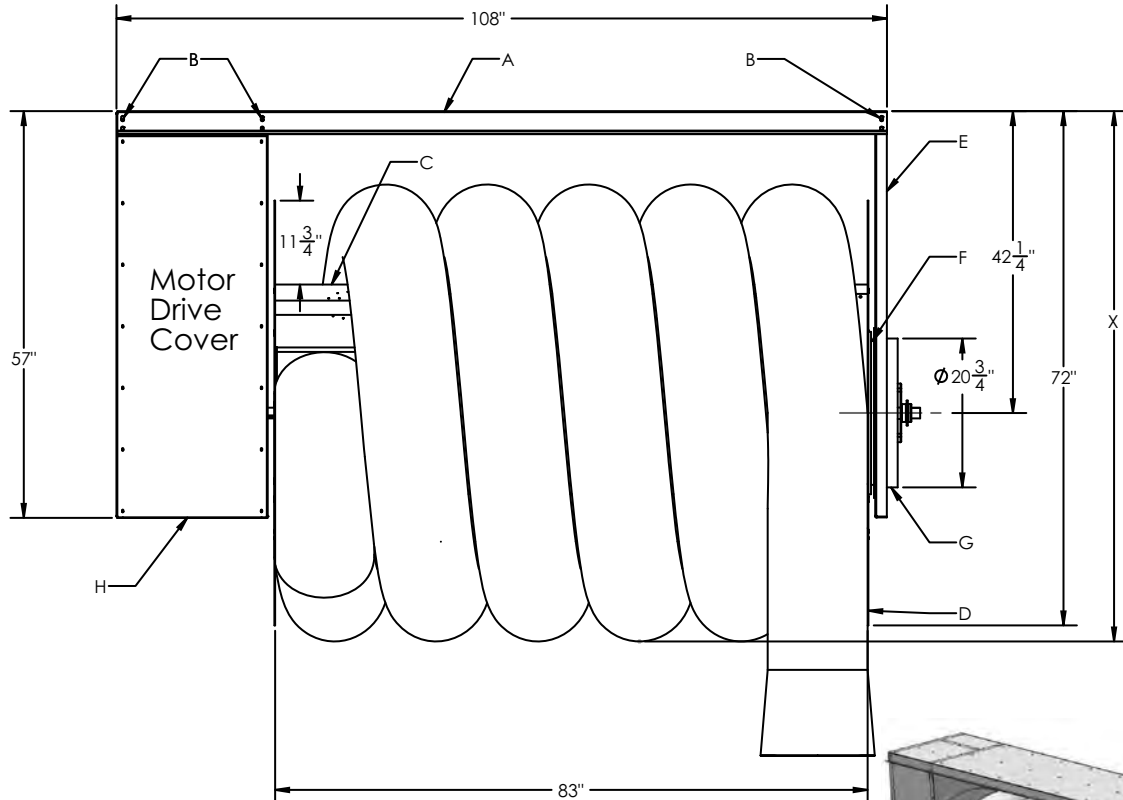
www.monoxivent.com

info@monoxivent.com

309-794-1000

Page: HRMO-22

XL Series Hose Reels - Oversized • 36" Drum Diameter - 7' Drum Width (XL-36-7)



**XL-36-7 MONOXIVENT
ID/Description**

- A. Support Fra
- B. Hanger Channel, Bolt Connecti
- C. 16-Gauge Dr
- D. 12-Gauge Drum En
- E. 10-Gauge End Fra
- F. Interior outlet bearing slee
- G. Inner, Outer Ri
- H. 18-Gauge Motor Cov

X Dimension (Nominal ID):

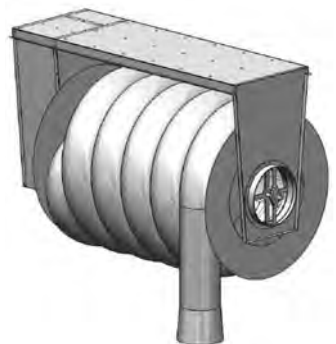
- 14" diameter hose = 73 1/2"
- 16" diameter hose = 75 1/2"
- 18" diameter hose = 77 1/2"

* Note #1: The outside dimension, for the Nominal Hose ID, may vary - please consult factory.

* Note #2: Nominal dimensions, without allowances for materials to hang and support hose reels.

NOTES:

- * XL-36-7: Weight - 710 lbs.
- * Operator - Standard: 3/4 HP 115/230/1 or Optional: 3/4 HP 230/460/3 Chain Driven ODP Motor Assembly, 2 Button Up/Down Switch, and Internal Automatic Reset Thermal Overload
- * Optional: Explosion Proof Motor Drive with Push Button Control
- * Hose Reels shall be powder-coated Red (optional stainless steel construction)
- * Contact Factory for Flex Hose Options



36" DRUM WIDTH • CAPACITIES

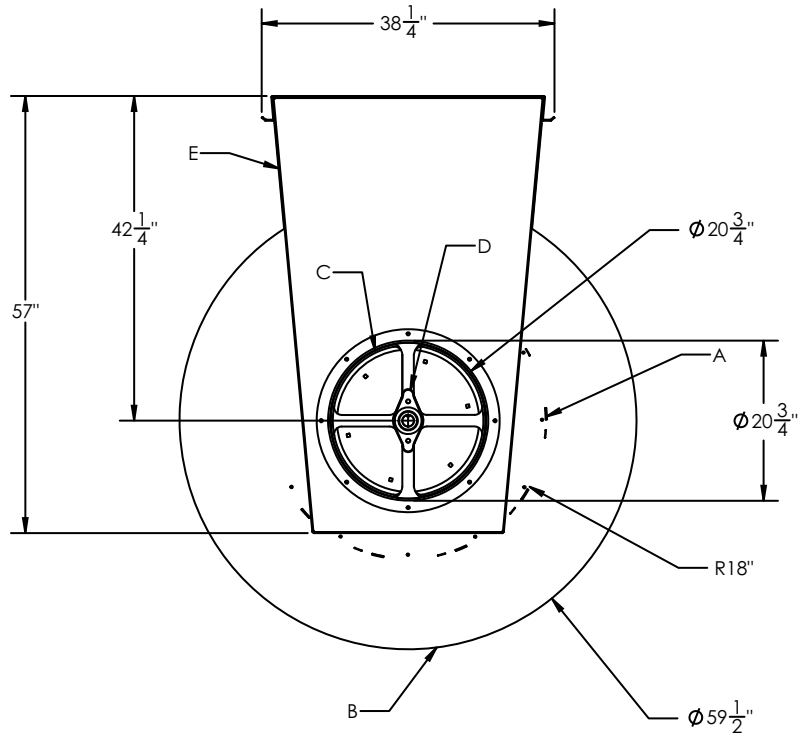
Model	Drum Dia.	Drum W.	Hose Dia.	Hose Capacity
XL-36-7	36"	7'	14"	Up to 80'
	36"	7'	16"	Up to 75'
	36"	7'	18"	Up to 65'

**TECHNICAL
INFORMATION**

In the interest of continuing product improvement,
we reserve the right to change models,
specifications, and/or features without prejudice.

PROJECT: _____
LOCATION: _____
ARCHITECT: _____
ENGINEER: _____
CONTRACTOR: _____
DATE: _____ SALES ENGINEER: _____

XL Series Hose Reels - Oversized • 36" Drum SIDE VIEW for Models XL-36-5, XL-36-7



ID/Description

- A. 16-Gauge Drum
- B. 12-Gauge Drum En
- C. 10-Gauge End Frame
- D. Inner, Outer Ring
- E. Inlet Drum Bearing
Spark Free Operation Available
with Optional Bearings

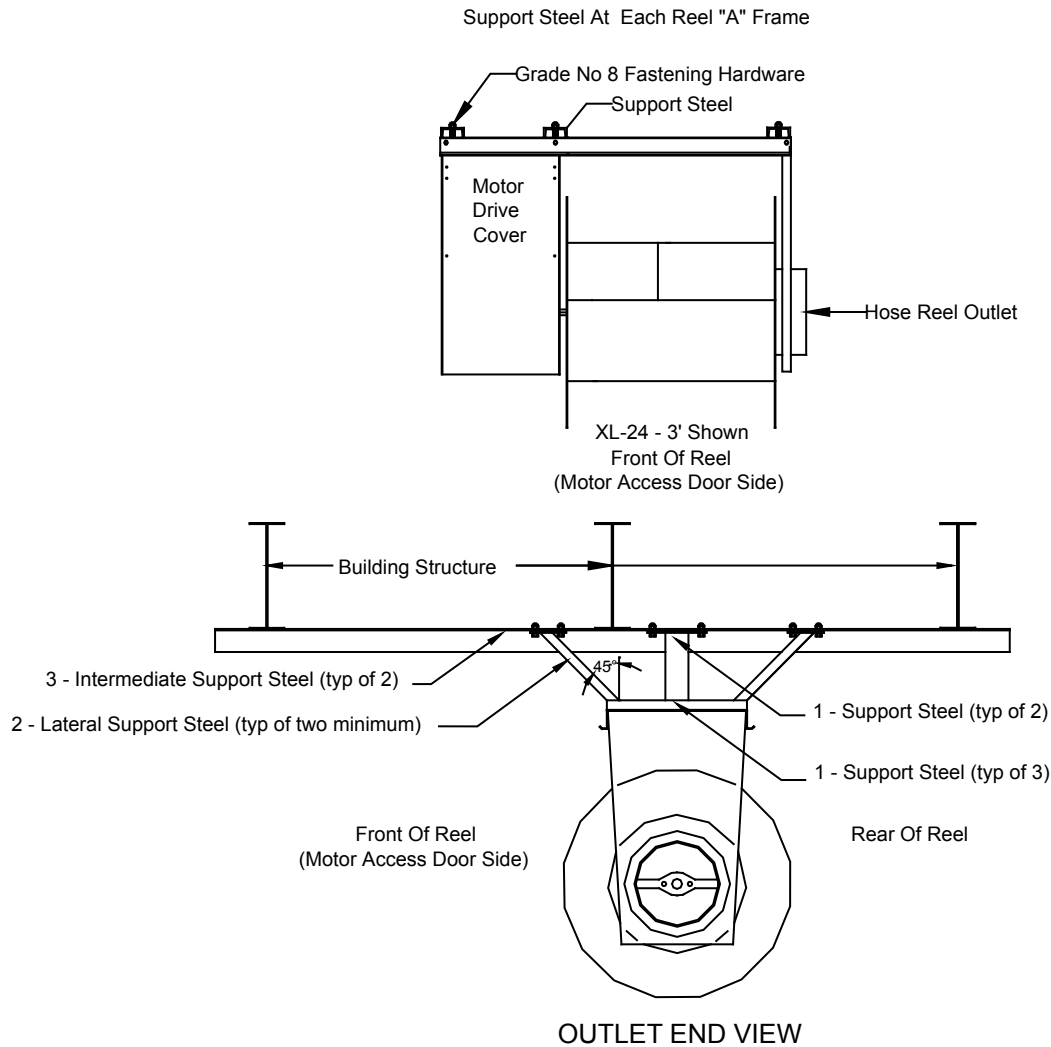
NOTES:

- * Operator - Standard: 3/4 HP 115/230/1 or Optional: 3/4 HP 230/460/3 Chain Driven ODP Motor Assembly, 2-Button Up/Down Switch, and Internal Automatic Reset Thermal Overload
- * Optional: Explosion Proof Motor Drive with Push Button Control
- * Hose Reel shall be powder-coated Red (optional stainless steel construction)
- * Contact Factory for Flex Hose Options

TECHNICAL INFORMATION

In the interest of continuing product improvement, we reserve the right to change models, specifications, and/or features without prejudice.

PROJECT: _____
 LOCATION: _____
 ARCHITECT: _____
 ENGINEER: _____
 CONTRACTOR: _____
 DATE: _____ SALES ENGINEER: _____



The hose reel should be supported at each "A" frame with support steel bolted to the "A" frames. Fastening hardware should be Grade No 8, 1/2" minimum. Monoxivent does not make recommendations for the sizing of intermediate support steel or hose support steel due to the number of variables found in existing and new construction. Mounting height is determined by the limits of the rigid structural mounting frame assembly. Consult a structural engineer if necessary.

1. Support steel should provide a rigid mounting frame to building structure.
2. Lateral support steel provides control of torque movement upon start of the reel motor. Lateral support steel, at a minimum, should brace opposite corners, opposite sides. If torque is not adequately controlled, lateral bracing at all corners should be used with two at front and two at rear.
3. Where intermediate support steel is required, it is to be sized for the span based on hose reel weight, including hose and accessories and allow for the operating torque of motor and drum.

**TECHNICAL
INFORMATION**

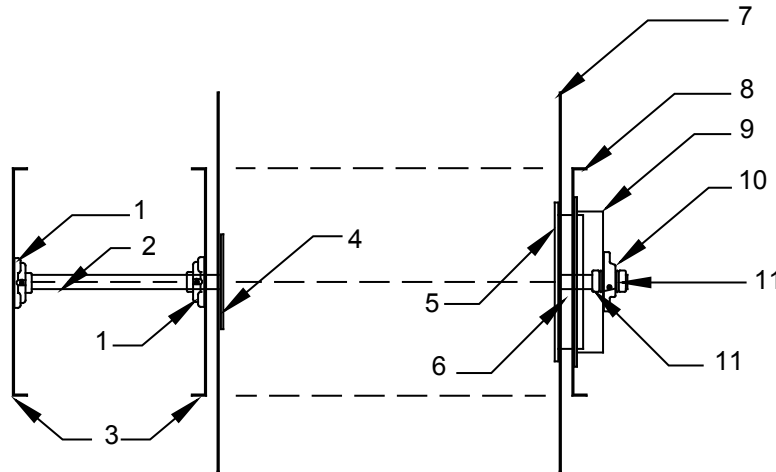
In the interest of continuing product improvement,
we reserve the right to change models,
specifications, and/or features without prejudice.

PROJECT: _____
LOCATION: _____
ARCHITECT: _____
ENGINEER: _____
CONTRACTOR: _____
DATE: _____ SALES ENGINEER: _____

www.monoxivent.cominfo@monoxivent.com

309-794-1000

Page: HRMO-25



Top Partial Interior View

1. Motor shaft bearing. Verify shaft set screw is tight. Bearing has a grease zert for future lubrication
2. Drive Shaft. Motor drive sprocket is factory mounted. Verify that shaft set screw is tight.
3. "A" Frames. Check to verify bearing mounting screws are tight.
4. Shaft Plate. Verify all nuts are tight on plate
5. Outlet interior bearing with shaft. Verify all nuts on mounting bolts through the drum end are tight.
6. Interior outlet bearing sleeve.
7. Drum End
8. "A" Frame.
9. Outlet duct collar. Collar is furnished with a reducer to ID of duct.
10. Shaft bearing, high temperature sealed bearing. Verify that fasteners are tight,
11. Shaft collar with UHMW washer. Verify set screws are secure.



3

Overhead Exhaust Systems

When selecting **Individual Components** for Conventional Overhead:

- STEP 1 Determine type of Hose (4000 or 5000 Series, Contact Factory for other Hose Types)
Determine Necessary Length of Hose
Determine Diameter of Hose for application
- STEP 2 Determine Lifting Elbow size, based on hose diameter
- STEP 3 Select Pull-up Kit: Rope Model/Winch Model or Spring Balancer
- STEP 4 Determine Clamp Size (Select 2 Per Drop), based on hose diameter
- STEP 5 Determine Nozzle/Adapter Series
Determine Size
Determine Other Necessary Features
- STEP 6 Determine if options are needed for Nozzles/Adapters

When selecting **Package Systems** for Conventional Overhead:

- STEP 1 Determine type of hose (4000 or 5000 Series, Contact Factory for other Hose Types)
Determine Necessary Length of Hose
Determine Diameter of Hose for application
Determine Mounting (Duct Mount -D, Mounting Bracket -MB, or Fan with Mounting Bracket -FMB)
- STEP 2 Determine Nozzle/Adapter Series
Determine Size
Determine Other Necessary Features
- STEP 3 Determine if options are needed for Nozzles/Adapters

Notes:

Customers may select individual components to produce a conventional overhead system or package systems for conventional overhead products.

Conventional overhead systems are the user-friendly and cost-effective solution that meets a wide-variety of demands.

These systems incorporate many hose types and lifting configurations. The hose types range from high-temperature silicone to medium-temperature polyester. The lifting configurations include ropes and pulleys and cable balancers.

Hose (**NEW LOCATION IN CATALOG - 11th Tab**):

3000 SERIES HOSE: The Series 3000 Hose serves as Monoxivent's "no crush" hose. The convoluted neoprene design has been specifically formulated to handle 600-degree temperatures. The hose, which does not contain a wire helix, returns back to its' original shape if "crushed" by any vehicles or other machinery. This hose is ideal for incorporation with underground exhaust systems.

4000 SERIES HOSE: The Series 4000 Hose serves as Monoxivent's most common hose for vehicle exhaust source capture. The hose easily withstands temperatures at 600-degrees and is ideal for use with hose reels or overhead exhaust systems. The hose withstands temperatures up to 1250-degrees, intermittent use.

5000 SERIES HOSE: The Series 5000 Hose is a versatile option and may be used for hose reels, overhead exhaust systems, underground systems, welding, industrial use, light-duty material handling, and agricultural use. The hose easily withstands temperatures at 350-degrees. The hose withstands temperatures up to 550-degrees, intermittent use.



General Information

TECHNICAL INFORMATION

In the interest of continuing product improvement, we reserve the right to change models, specifications, and/or features without prejudice.

PROJECT: _____
 LOCATION: _____
 ARCHITECT: _____
 ENGINEER: _____
 CONTRACTOR: _____
 DATE: _____ SALES ENGINEER: _____

www.monoxivent.com

info@monoxivent.com

309-794-1000

Page: OES-1

CONVENTIONAL OVERHEAD EXHAUST SYSTEMS GENERAL INFORMATION

This section features products and options associated with Monoxivent's Conventional Overhead Exhaust Extraction Systems.

Presented in this section will be overhead systems using metal interlocking hose of stainless steel and galvanized construction. Our most popular hose system uses the high quality of the series 4000. Series 4000 is a silicone/nomex fabric material of great strength and high temperature capabilities. Also offered is the convoluted crushproof hose for overhead systems.

The conventional overhead system offered in this section is comprised of the following:

- A. Overhead systems are supplied with pulleys, rope or cable, cleats or winches. These lifting components are used with fabric hose and metal interlocking hose.
- B. Overhead systems are supplied with a retractable balancer for use with the 4000 series fabric hose.
- C. Overhead systems are supplied with a swinging swivel boom arm and consist of the retractable balancer to lift hose when not in use. This system also uses the 4000 series fabric hose.

In this section, all components required to design a custom-built and complete overhead system will be presented.

It is strongly encouraged that attention and consideration be given to the 4000 series hose. This product has a proven track record of quality, strength, durability and is extremely user friendly. These factors make the 4000 series a wise investment for the customer.

NOTE - Our 5000 series hose is also highly recommended for the conventional overhead systems, where medium temperature hose is required. Not recommended for diesel applications.

OVERHEAD
EXHAUST SYSTEMS



Sizing & Selection

TECHNICAL INFORMATION

In the interest of continuing product improvement, we reserve the right to change models, specifications, and/or features without prejudice.

PROJECT: _____
 LOCATION: _____
 ARCHITECT: _____
 ENGINEER: _____
 CONTRACTOR: _____
 DATE: _____ SALES ENGINEER: _____

www.monoxivent.com

info@monoxivent.com

309-794-1000

Page: OES-2

SUGGESTIONS ONLY PRODUCT SIZING AND SELECTION

- A. Determine vehicle type and exhaust pipe discharge locations. (Under Chassis or Vertical Stack)
- B. Select proper hose diameter for the vehicle determined. Suggest using 4" hose for autos, vans, and small trucks. Suggest using 5" and 6" hose for larger trucks.
- C. Select CFM requirements for the type of vehicles determined: Suggest using 200-300 CFM for autos, vans, and small trucks. Suggest using 500-600 CFM for larger vehicles.

NOTE: Many facilities do not always run the vehicles at idle. The above listed CFM will allow for a 20% increase in RPM with adequate air volume, if based on the high CFM listed. Please consult the factory if higher RPM will be used by the customer.

- D. Once the CFM has been determined, please consult the graph in the catalog for the static pressure calculations based on the hose diameter, hose length, and CFM required. The graph will give you the static pressure loss for the exhaust removal drop.
- E. A **suggested** formula for central duct static pressure loss can be based upon the following information: Calculate the length of the main duct from the fan to the end of the duct and multiply the length by .006. This calculation gives the **approximate** loss in the main duct. Calculate the number of bends in the main duct and multiply this by .020. Add the drop loss, main loss, and bend loss and you will have the **estimate** on the system static pressure loss.
- F. Select the fan based upon the total amount of drops multiplied by the CFM per drop. Check the fan graph for the fan to give you the CFM you require at the given static pressure that you have calculated.
- G. To assist in sizing the main duct, the following may be used. Begin with the furthest drop from the fan.

0-450	CFM	6"	2301-3500	CFM	14"
451-800	CFM	8"	3501-4700	CFM	16"
801-1500	CFM	10"	4701-5900	CFM	18"
1501-2300	CFM	12"	5901-6600	CFM	20"

Connecting duct from reel is 6". Whenever possible, it is **recommended** to use an air flow sweep when connecting the 6" duct from the reel to the main duct.

OVERHEAD EXHAUST SYSTEMS



Conventional Overhead Exhaust System

TECHNICAL INFORMATION

In the interest of continuing product improvement, we reserve the right to change models, specifications, and/or features without prejudice.

PROJECT: _____
 LOCATION: _____
 ARCHITECT: _____
 ENGINEER: _____
 CONTRACTOR: _____
 DATE: _____ SALES ENGINEER: _____

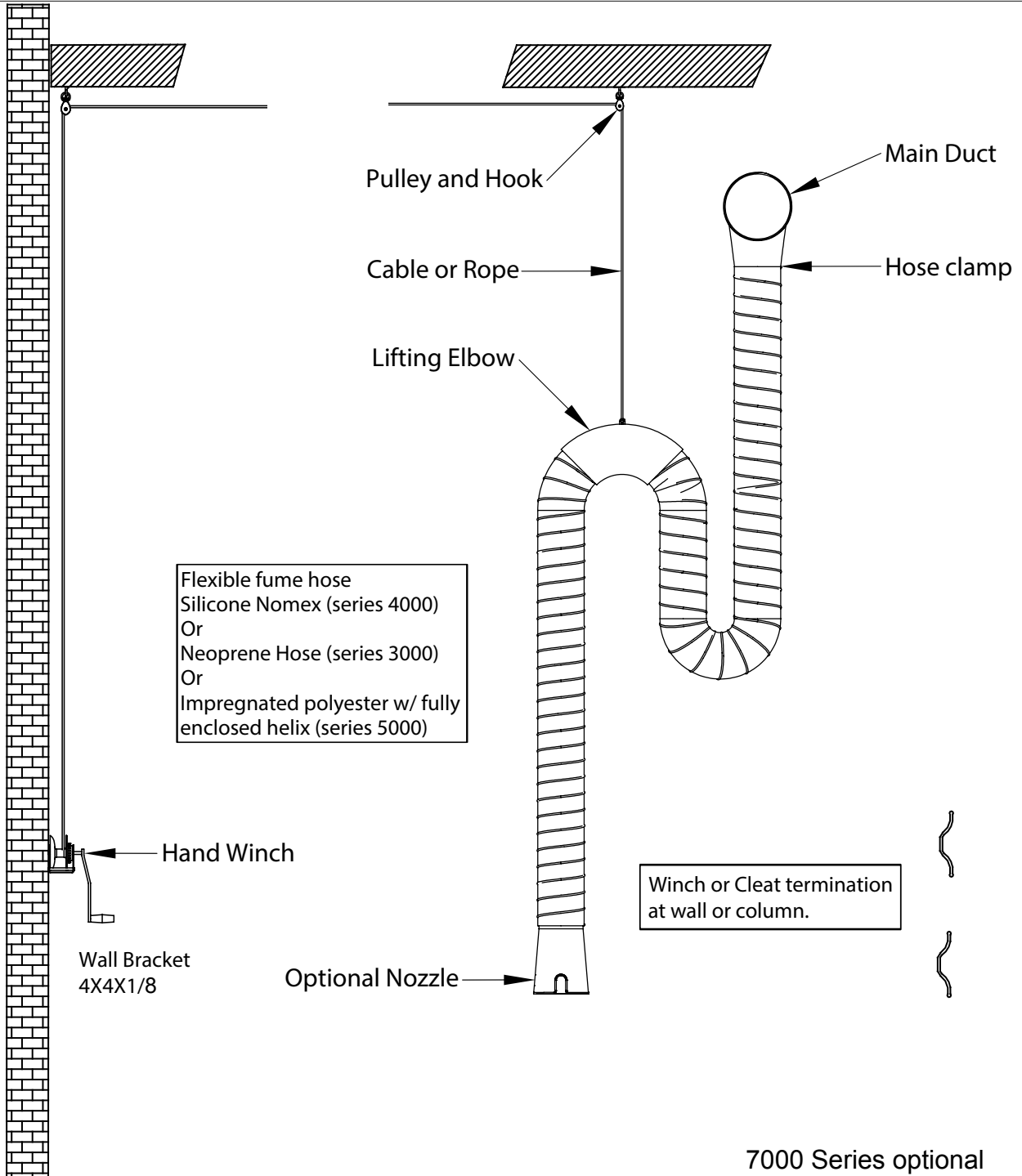
www.monoxivent.com

info@monoxivent.com

309-794-1000

Page: OES-3

OVERHEAD EXHAUST SYSTEMS



Flexible fume hose
 Silicone Nomex (series 4000)
 Or
 Neoprene Hose (series 3000)
 Or
 Impregnated polyester w/ fully enclosed helix (series 5000)

Winch or Cleat termination at wall or column.

7000 Series optional consult factory for pricing

Provided With: _____ Diameter _____ Feet/Hose _____ Series Hose



TECHNICAL INFORMATION

In the interest of continuing product improvement, we reserve the right to change models, specifications, and/or features without prejudice.

PROJECT: _____
LOCATION: _____
ARCHITECT: _____
ENGINEER: _____
CONTRACTOR: _____
DATE: _____ SALES ENGINEER: _____

www.monoxivent.com

info@monoxivent.com

309-794-1000

Page: OES-4

THIS PAGE LEFT INTENTIONALLY BLANK

DISCONTINUED PRODUCT:

Series WRS, Winch Retracting System

OVERHEAD EXHAUST SYSTEMS

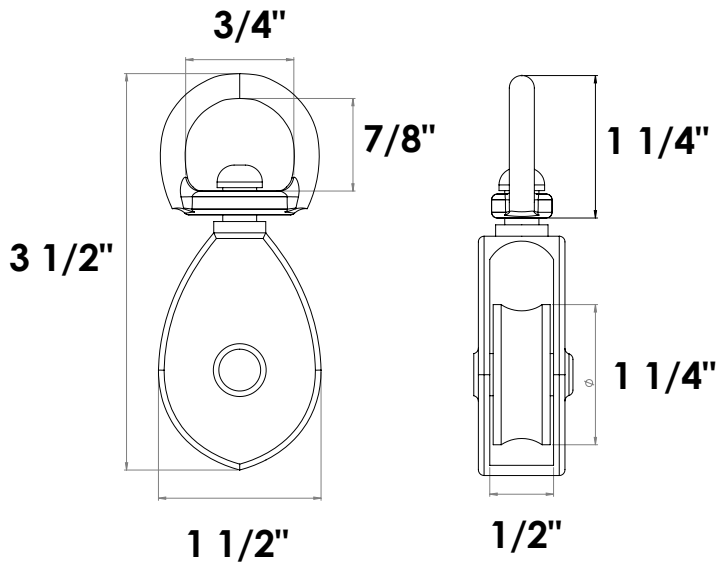
**TECHNICAL
INFORMATION**

In the interest of continuing product improvement,
we reserve the right to change models,
specifications, and/or features without prejudice.

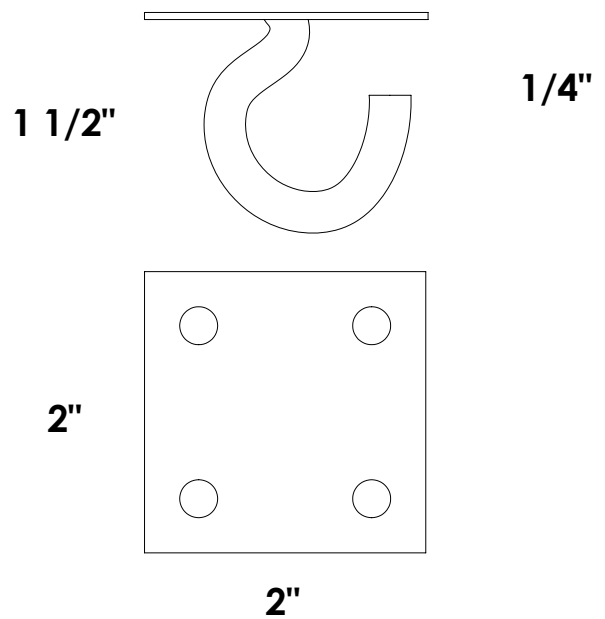
PROJECT: _____
 LOCATION: _____
 ARCHITECT: _____
 ENGINEER: _____
 CONTRACTOR: _____
 DATE: _____ SALES ENGINEER: _____

PU-KIT-R

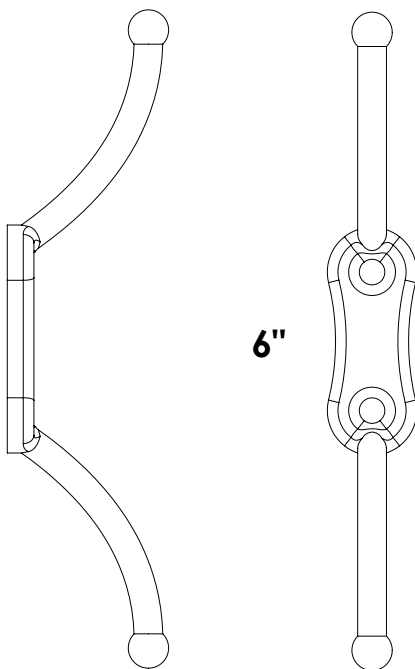
23857 Pulley



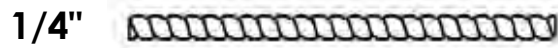
23861 Pulley Mounting Hook



23858 Wall Cleat



**23859 Multi-Filament
Polypropolyene Cord - 750 lbs.
Breaking Strength**



**TECHNICAL
INFORMATION**

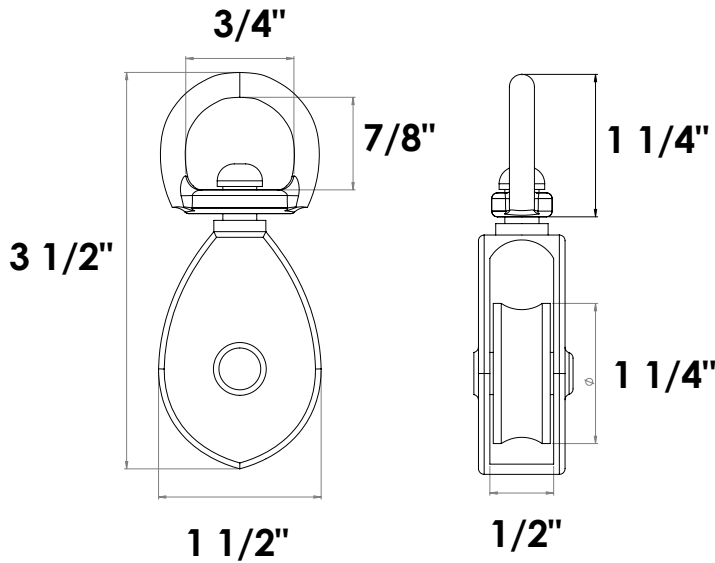
In the interest of continuing product improvement,
we reserve the right to change models,
specifications, and/or features without prejudice.

PROJECT: _____
 LOCATION: _____
 ARCHITECT: _____
 ENGINEER: _____
 CONTRACTOR: _____
 DATE: _____ SALES ENGINEER: _____

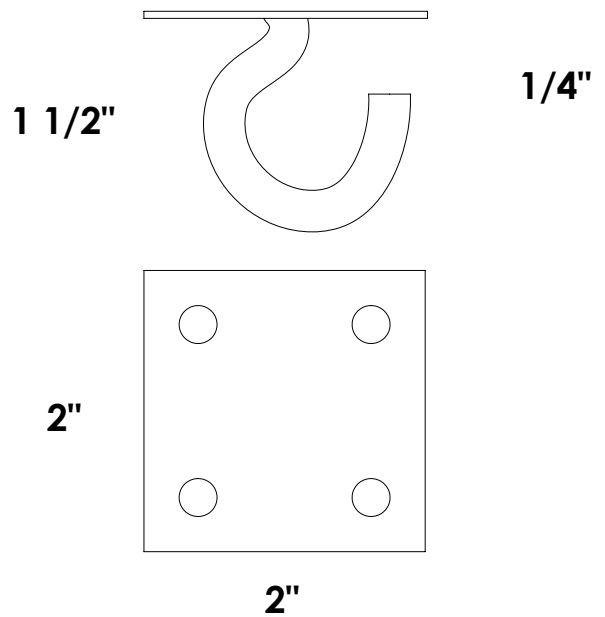
OVERHEAD
EXHAUST SYSTEMS

PU-KIT-W

23857 Pulley

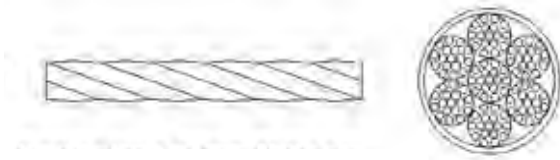


23861 Pulley Mounting Hook

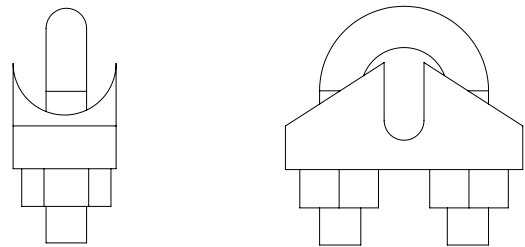


23873 Cable

**Galvanized Aircraft Cable
920 LBS Breaking Strength**



41007 - 1/8" Pleated Cable Clamp



*Please see other pages in this section for additional
components for the PU-KIT-W*

**TECHNICAL
INFORMATION**

In the interest of continuing product improvement,
we reserve the right to change models,
specifications, and/or features without prejudice.

PROJECT: _____
 LOCATION: _____
 ARCHITECT: _____
 ENGINEER: _____
 CONTRACTOR: _____
 DATE: _____ SALES ENGINEER: _____

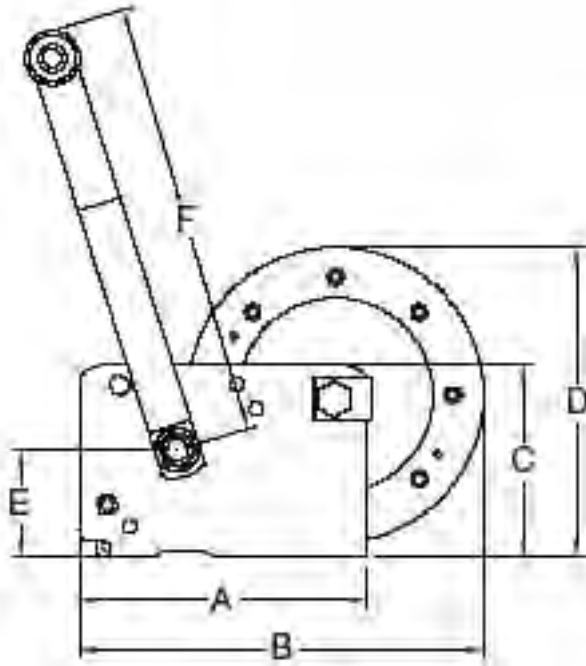
Series 23860-01

PU-KIT-W

* The winch handle (at right) may
be replaced with a rubber wheel.

Recommended Maintenance:

1. Apply a few drops of automo-
tive engine oil to ratchet pawl
pivot, brushings, and shaft
threads under drum.
2. Check for proper ratchet oper-
ation as follows: when cranking
cable in, a loud clicking sound
should be heard, when cranking
cable out, the clicking sound
should not be heard and the
ratchet pawl should be fully
engaged into the ratchet gear
teeth.



A	B	C	D	E	F
5.50"	5.50"	4.25"	5.56"	2.94"	11.00"

**TECHNICAL
INFORMATION**

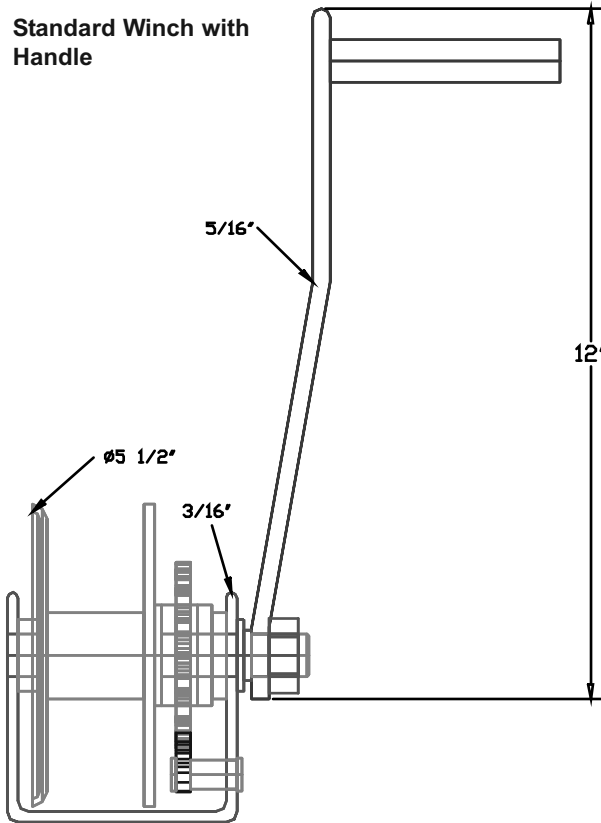
In the interest of continuing product improvement, we reserve the right to change models, specifications, and/or features without prejudice.

PROJECT: _____
 LOCATION: _____
 ARCHITECT: _____
 ENGINEER: _____
 CONTRACTOR: _____
 DATE: _____ SALES ENGINEER: _____

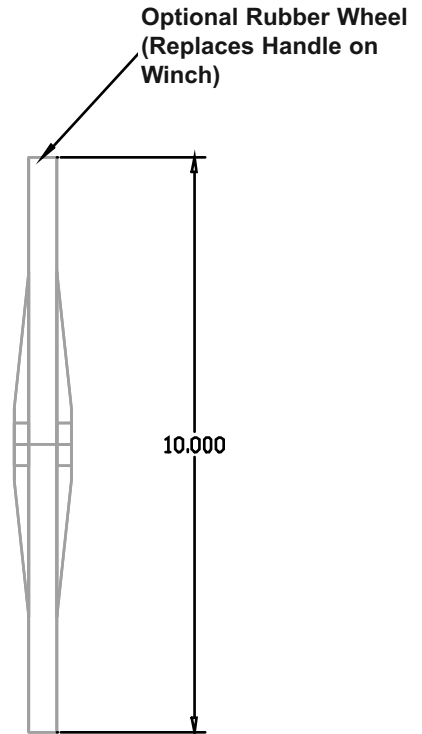
HAND WINCH MODEL 23860-01

Gear Ratio: 1:1; Strength: 600 lbs.; Plating: Zinc; Brake: Self-Activating Automatic

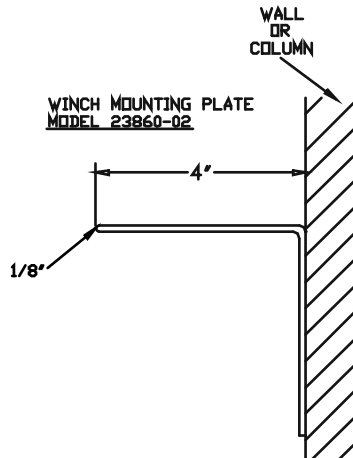
OVERHEAD
EXHAUST SYSTEMS



PU-KIT-W



Winch Mounting Plate





Conventional Overhead
Fabric Hose
Lifting Elbows

TECHNICAL INFORMATION

In the interest of continuing product improvement,
we reserve the right to change models,
specifications, and/or features without prejudice.

PROJECT: _____
LOCATION: _____
ARCHITECT: _____
ENGINEER: _____
CONTRACTOR: _____
DATE: _____ SALES ENGINEER: _____

www.monoxivent.com

info@monoxivent.com

309-794-1000

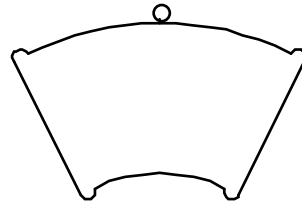
Page: OES-9

LIFTING ELBOWS FOR SUPPORTING FABRIC HOSE FROM OVERHEAD

Lifting elbow for use with 3000/4000/5000/7000 Series hose.

<u>Part Number</u>	<u>Fabric Hose</u>
LE-40	4"
LE-50	5"
LE-60	6"
LE-80	8"

Closed Eye



CONSTRUCTION: Short radius die-formed 24-gauge galvanized steel, large diameters available upon request.

*Optional lifting elbow sizes available up to 24", consult factory.

*Optional Stainless Steel & Aluminum construction available, consult factory.

OVERHEAD
EXHAUST SYSTEMS

TECHNICAL INFORMATION

In the interest of continuing product improvement, we reserve the right to change models, specifications, and/or features without prejudice.

PROJECT: _____
 LOCATION: _____
 ARCHITECT: _____
 ENGINEER: _____
 CONTRACTOR: _____
 DATE: _____ SALES ENGINEER: _____

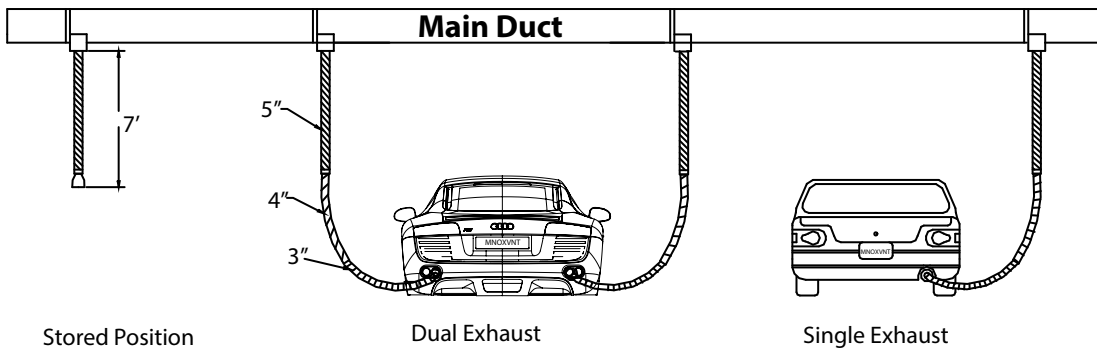
RETRACTABLE TELESCOPING SYSTEM (RTS-543)

The RTS (Retractable Telescoping System) offers three tiers of hose retraction. The system, mounted to duct, features an overhead storing concept. The RTS does not require lifting accessories.

The three-tier concept allows for different lengths of tubing to store one inside the other. The system is supplied with a highly visible red wear strip for safety; on the upper section of tubing. The center and upper sections of tubing are constructed of a light weight material, however the center section does not feature the red wear strip. The lower section is constructed of no-crush neoprene, allowing for years of user friendly service. The construction process creates a light weight system (only 19 pounds, including duct saddle) that is extremely durable.

The RTS is 7' long in its stored position (see below). Main duct work is generally hung at a height of 13-14 feet. The RTS is provided with an adjustable length duct saddle that allows for easy height adjustment. The RTS's neoprene nozzle easily attaches to both single and side-by-side vehicle exhaust systems. As shown (below) the RTS can be installed to handle both single and dual exhaust vehicles, without need for additional attachments.

The nozzle is supplied with holding hooks, which connect to the fitting at the end of the 5" hose. In the stored position, the 4" and 3" sections of hose slide into the principle 5" section. By releasing the holding hooks, the RTS-543 may be deployed and attached to the vehicle.



Product Breakdown

Hose: 5" & 4" Sections are Constructed of Smooth Bore Lightweight Tubing; 3" Tubing is Constructed of No-Crush Neoprene

Model: RTS-543 Consists Of:
 6'-6" x 5" Hose
 6' x 4" Hose

5' x 3" Hose
 Oval Nozzle
 Stainless Steel Duct Saddle
 Spring Damper (Optional)

Nozzle: Series 23827
 All Neoprene Oval Mouth Adapter

OVERHEAD EXHAUST SYSTEMS

TECHNICAL INFORMATION

In the interest of continuing product improvement, we reserve the right to change models, specifications, and/or features without prejudice.

PROJECT: _____
 LOCATION: _____
 ARCHITECT: _____
 ENGINEER: _____
 CONTRACTOR: _____
 DATE: _____ SALES ENGINEER: _____

RETRACTABLE TELESCOPING SYSTEM (RTS-543)

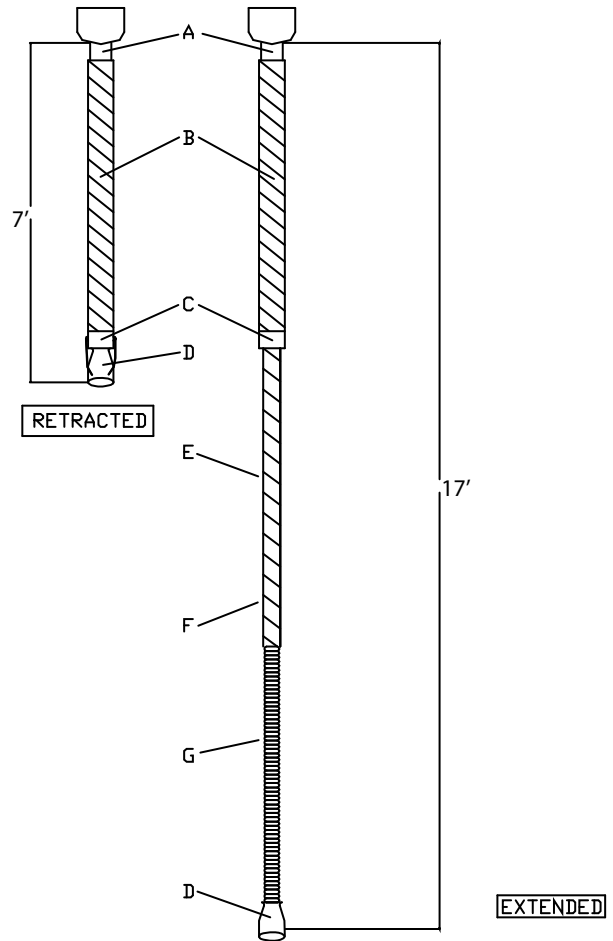
The RTS-543 (Retractable Telescoping System - 543) is an overhead self storing vehicle exhaust extraction system. The RTS-543 is shipped fully assembled and consists of three hoses. Hose assembly are supplied with built in stops, ensuring that the hoses will not separate. Hose-G inserts into Hose-E and both hoses (G & E) insert into Hose-B for final storage.

The RTS-543 is supplied with the 23827, 4" neoprene oval mouth nozzle. This nozzle will fit both single and twin side-by-side vehicle exhaust systems. The 23827 may also be supplied with an optional (SHD) spring hinged damper.

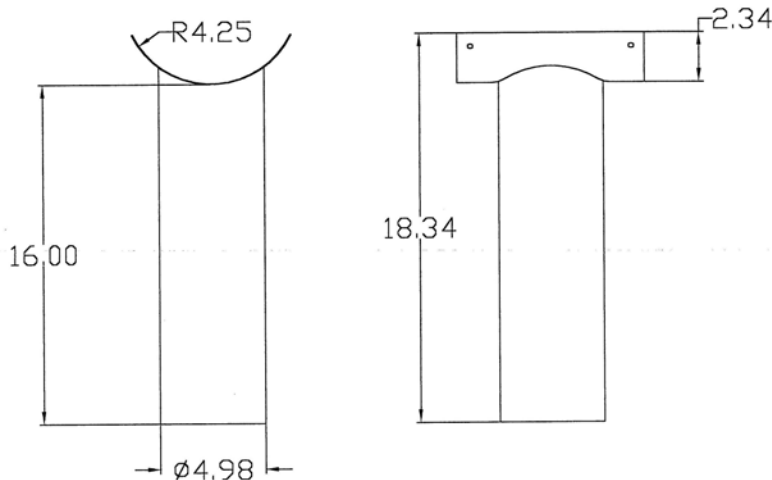
The RTS-543 is designed for service conditions up to 150 cfm @ 4" s.p.

Component List:

- A - Stainless Steel, 5" x 15" Saddle Assembly
- B - 6'-6" x 5" Smooth Bore Hose with High Visibility Red Stripe
- C - Lower Stainless Steel Hose Stop with Holding Slots
- D - 23827 No-Crush Neoprene Oval Mouth Nozzle with Storage Hooks and Chains
- E - 6'x4" Smooth Bore Hose
- F - Hose Stop for Lower Hose Assembly
- G - 5'x3" No-Crush Hose



8" Duct Saddle Assembly



*Saddle drawing shown for 8" duct connection. Consult factory for other options available.

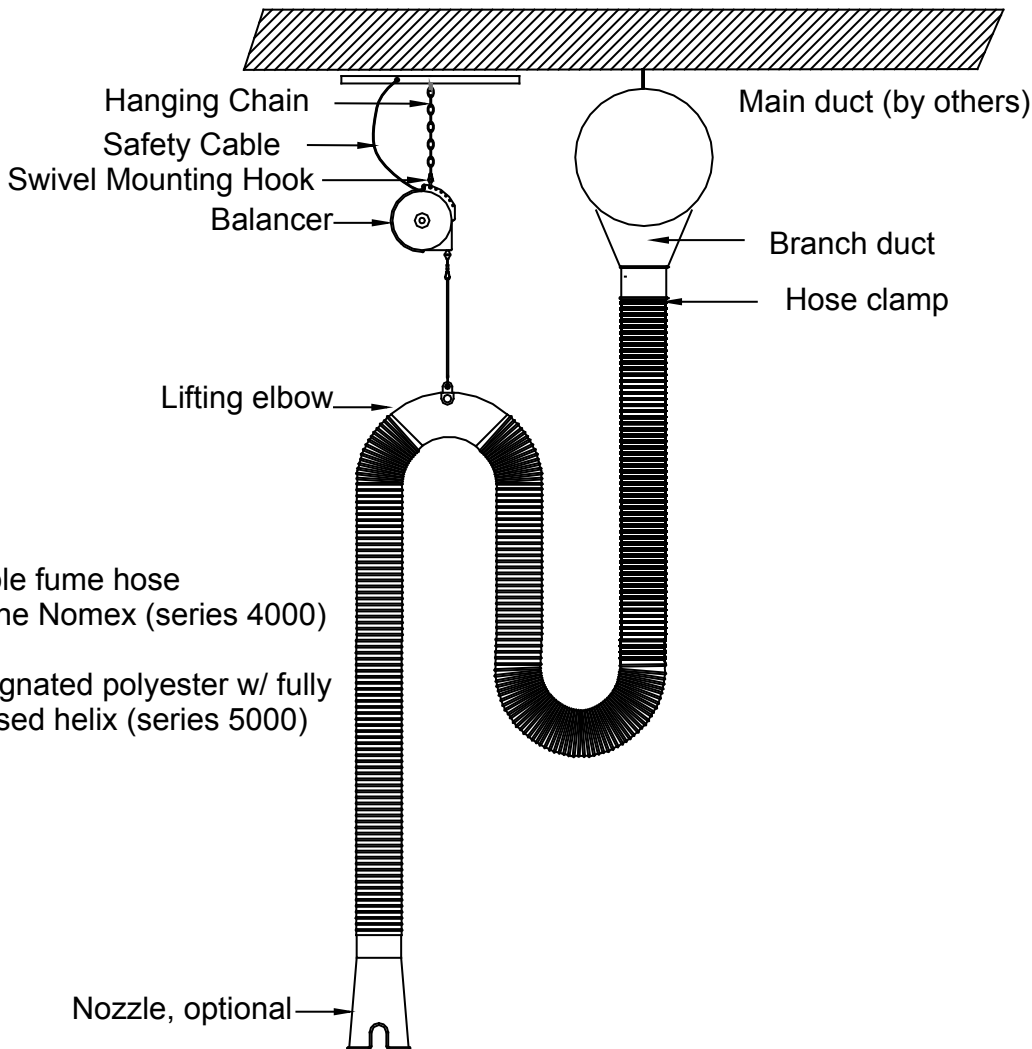
OVERHEAD EXHAUST SYSTEMS

**TECHNICAL
INFORMATION**

In the interest of continuing product improvement,
we reserve the right to change models,
specifications, and/or features without prejudice.

PROJECT: _____
 LOCATION: _____
 ARCHITECT: _____
 ENGINEER: _____
 CONTRACTOR: _____
 DATE: _____ SALES ENGINEER: _____

SERIES - 11000-D



Flexible fume hose
Silicone Nomex (series 4000)
Or
Impregnated polyester w/ fully
enclosed helix (series 5000)

NOTE: Series 4000/5000 Hose - Standard
Series 7000 - Optional consult factory for pricing

NOTE: 11000-D System is to be attached to a rigid overhead duct. Overhead duct to be supplied by others. Balancer will require a supporting structure located closest to the hose to the duct connection as possible. Maximum height of balancer mounting is at the point of hose to duct connection.

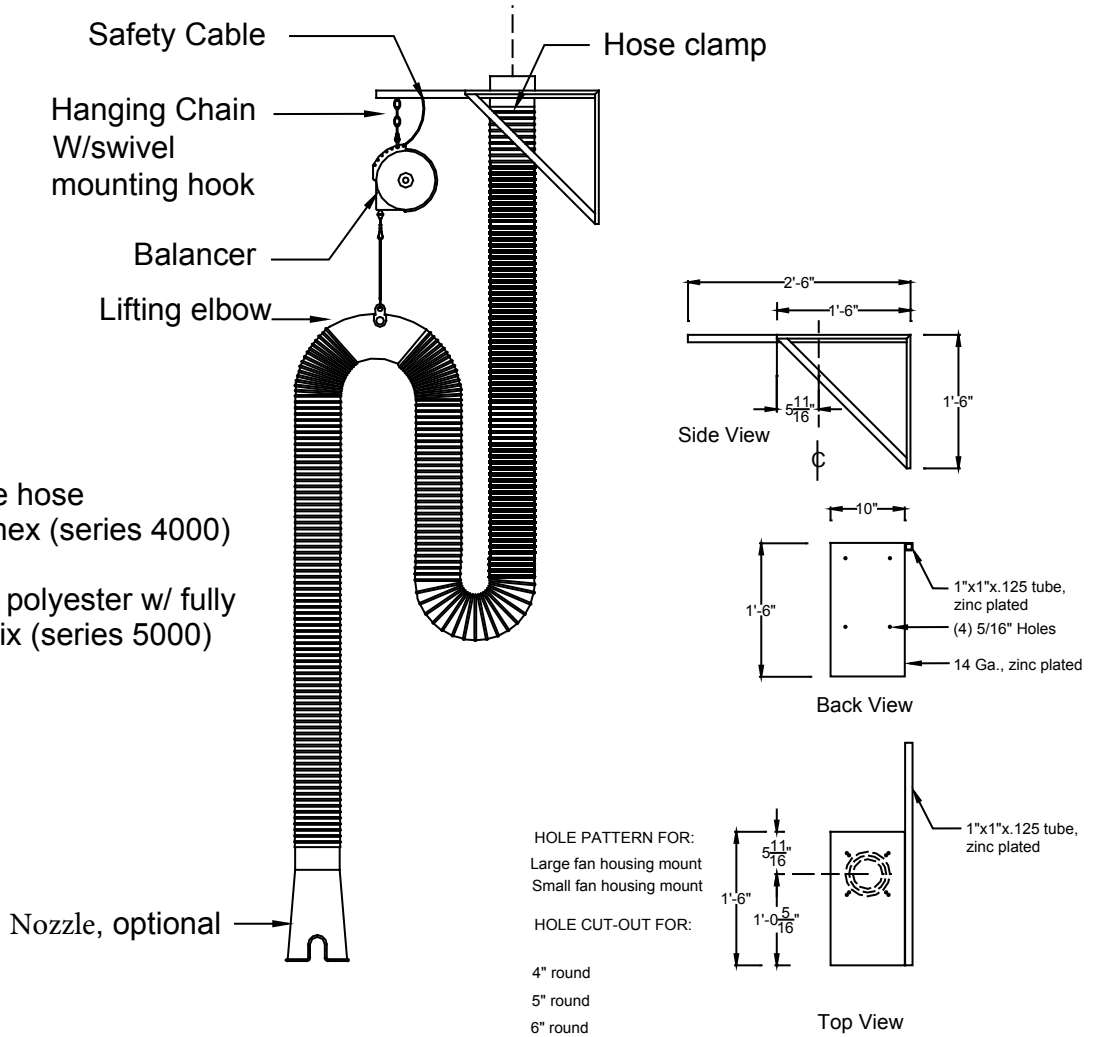
Provided With: _____ Diameter _____ Feet/Hose _____ Series Hose

**TECHNICAL
INFORMATION**

In the interest of continuing product improvement,
we reserve the right to change models,
specifications, and/or features without prejudice.

PROJECT: _____
 LOCATION: _____
 ARCHITECT: _____
 ENGINEER: _____
 CONTRACTOR: _____
 DATE: _____ SALES ENGINEER: _____

SERIES - 11000-MB



Flexible fume hose
Silicone Nomex (series 4000)
Or
Impregnated polyester w/ fully
enclosed helix (series 5000)

NOTE: 11000-MB System is supplied with a Mounting Bracket (as shown)
 4000/5000 Series hose is standard
 7000 Series optional consult factory for pricing
 Hose is supplied in the following diameters: 4", 5", and 6"
 Hose is supplied in the following lengths: 16', 20', and 24'

Provided With: _____ Diameter _____ Feet/Hose _____ Series Hose

**TECHNICAL
INFORMATION**

In the interest of continuing product improvement,
we reserve the right to change models,
specifications, and/or features without prejudice.

PROJECT: _____
LOCATION: _____
ARCHITECT: _____
ENGINEER: _____
CONTRACTOR: _____
DATE: _____ SALES ENGINEER: _____

www.monoxivent.com

info@monoxivent.com

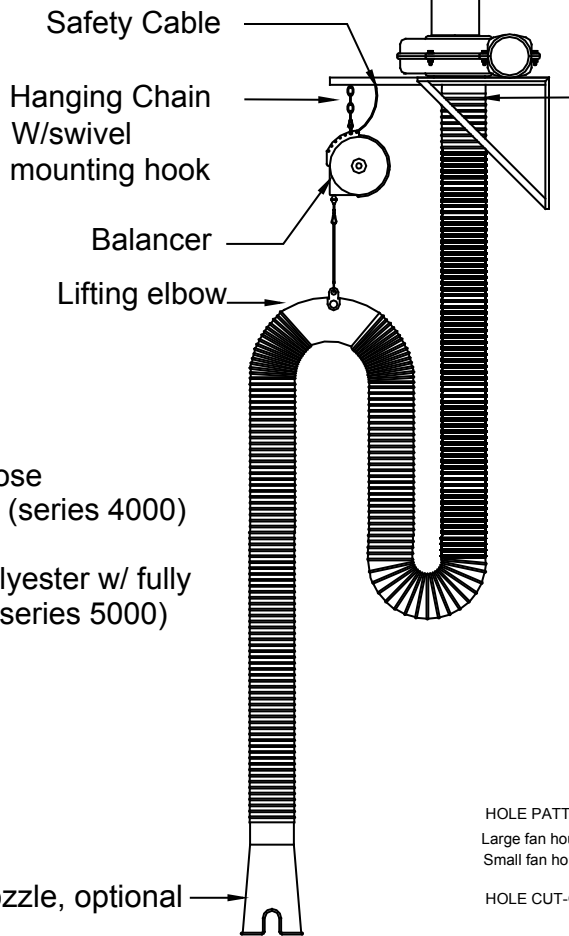
309-794-1000

Page: OES-14

OVERHEAD
EXHAUST SYSTEMS

SERIES - 11000-FMB

D-series Blower TEFC motor - Inlet transition to hose is included. Fan discharge: Front, side and rear



Flexible fume hose
Silicone Nomex (series 4000)
Or
Impregnated polyester w/ fully enclosed helix (series 5000)

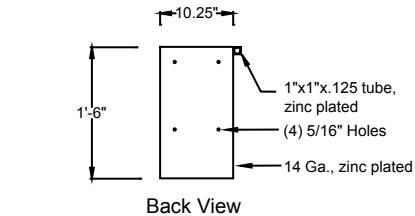
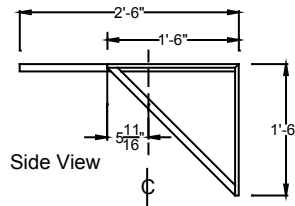
Nozzle, optional

Standard Motors are Baldor with TEFC Enclosure. Standard Motors are UL UR Recognized as a component and CSA Certified in Canada.

The D Series fans are not UL Listed or CSA Certified as an assembly.

Motor specifications subject to change without notice.

The construction is Silumin (Silicon Aluminum Alloy) for the housing and the wheel.

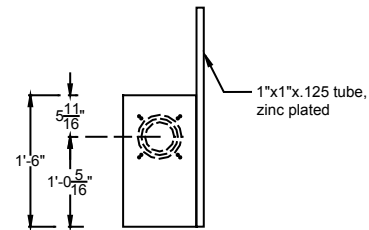


Back View

HOLE PATTERN FOR:
Large fan housing mount
Small fan housing mount

HOLE CUT-OUT FOR:

- 4" round
- 5" round
- 6" round



Top View

NOTE: Fan HP for hose diameter follows:

4" Diameter Hose	0.5 HP Fan, D05, 1 PH standard
5" Diameter Hose	1.0 HP Fan, D10, 1 PH standard
6" Diameter Hose	1.5 HP Fan, D15, 1 PH standard

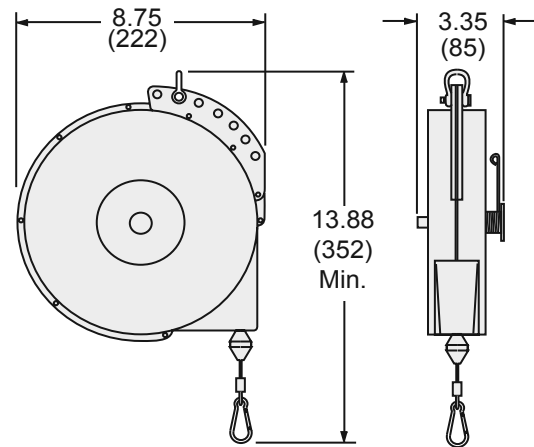
NOTE: 11000-FMB System is supplied with a Mounting Bracket (as shown) and Fan. See D Series Blower catalog pages for fan selection. 4000/5000 Series hose standard (7000 series hose available by request). Hose is supplied in following diameters: 4", 5", and 6" Hose is supplied in following lengths: 16', 20', and 24'

Provided With: _____ Diameter _____ Feet/Hose _____ Series Hose

**TECHNICAL
INFORMATION**

In the interest of continuing product improvement,
we reserve the right to change models,
specifications, and/or features without prejudice.

PROJECT: _____
LOCATION: _____
ARCHITECT: _____
ENGINEER: _____
CONTRACTOR: _____
DATE: _____ SALES ENGINEER: _____

MODEL BAL-T

All Dimensions in INCHES (mm)

Standard Features of the BAL-T:

- A. Lock Mechanism to Permit Operator to Stop at Desired Position
- B. Slight Pull on Cable to Release Stop Lock
- C. An "off" Switch to Disengage the Lock Mechanism
- D. External Tension Adjustment Provides Fast and Easy Fine Tuning
- E. 15 Ft. of 3/32" Diameter Steel Cable and Adjustable Cable Stop
- F. Snap Hook, Multi-Directional Cable Guide, Forge Clevis Top Mount
- G. Automatic Safety Lock (spring fails then drum automatically locks)
- H. Safety Chain
- I. Maintenance Free and is Lifetime Lubricated at Factory
- J. Lifting Capacity of 15 Pounds

* For further details please refer to manual and parts list.

TECHNICAL INFORMATION

In the interest of continuing product improvement,
we reserve the right to change models,
specifications, and/or features without prejudice.

PROJECT: _____
LOCATION: _____
ARCHITECT: _____
ENGINEER: _____
CONTRACTOR: _____
DATE: _____ SALES ENGINEER: _____

www.monoxivent.com

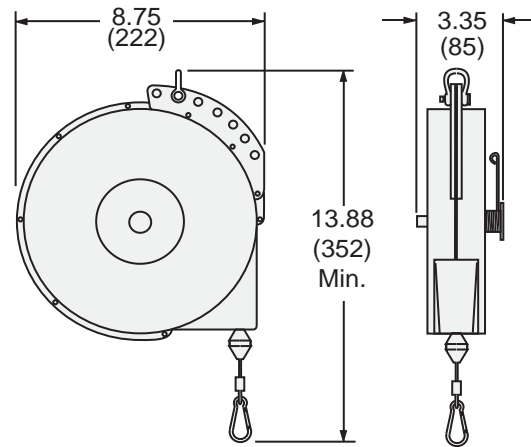
info@monoxivent.com

309-794-1000

Page: OES-15A



MODEL BAL-T-HD-8



All Dimensions in INCHES (mm)

Standard Features of the BAL-T-HD-8:

- A. Lock Mechanism to Permit Operator to Stop at Desired Position
- B. Slight Pull on Cable to Release Stop Lock
- C. An "off" Switch to Disengage the Lock Mechanism
- D. External Tension Adjustment Provides Fast and Easy Fine Tuning
- E. 8 Ft. of 3/32" Diameter Steel Cable and Adjustable Cable Stop
- F. Snap Hook, Multi-Directional Cable Guide, Forge Clevis Top Mount
- G. Automatic Safety Lock (spring fails then drum automatically locks)
- H. Safety Chain
- I. Maintenance Free and is Lifetime Lubricated at Factory
- J. Lifting Capacity of 25 Pounds

* For further details please refer to manual and parts list.

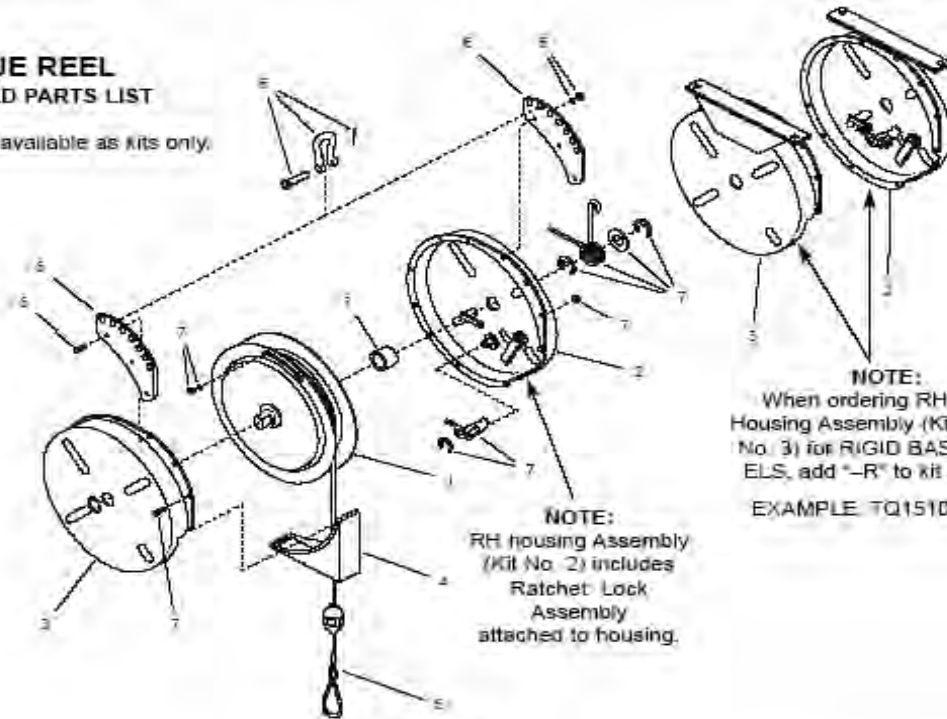
**TECHNICAL
INFORMATION**

In the interest of continuing product improvement, we reserve the right to change models, specifications, and/or features without prejudice.

PROJECT: _____
 LOCATION: _____
 ARCHITECT: _____
 ENGINEER: _____
 CONTRACTOR: _____
 DATE: _____ SALES ENGINEER: _____

**TORQUE REEL
ILLUSTRATED PARTS LIST**

Replacement parts available as kits only.



NOTE:
RH housing Assembly (Kit No. 2) includes Ratchet Lock Assembly attached to housing.

NOTE:
When ordering RH or LH Housing Assembly (Kit No. 2 or No. 3) for RIGID BASE MODELS, add "-R" to kit number.

EXAMPLE: TQ1510-K02-R

TORQUE REEL

REPLACEMENT PARTS KITS

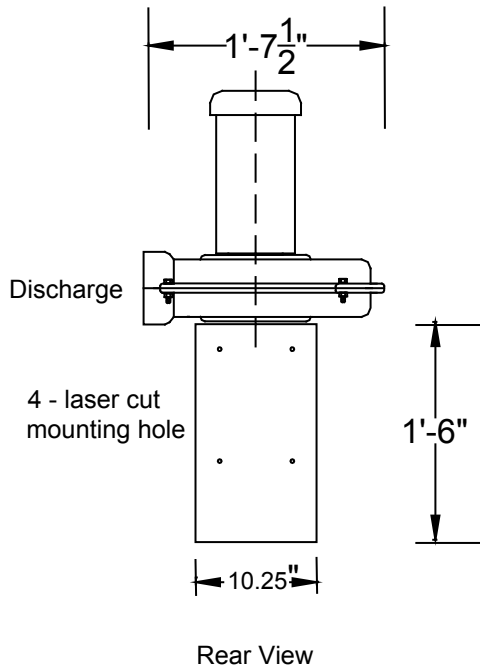
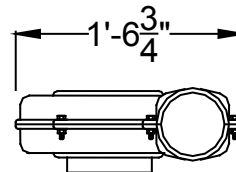
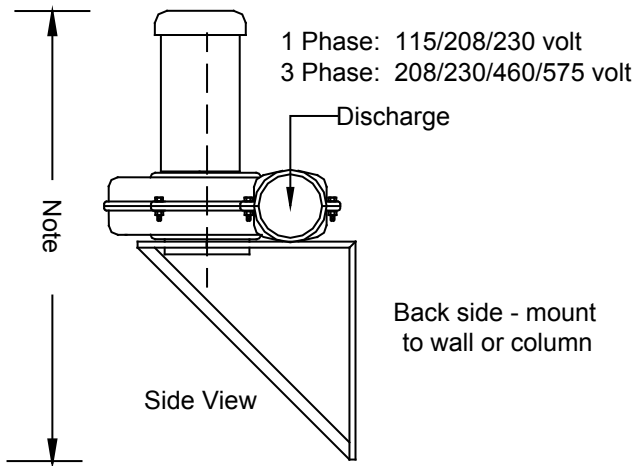
REF. NO.	KIT NUMBER:			KIT DESCRIPTION
	Series-1507	Series-1510	Series-1515	
1	TQ1507-K01	TQ1510-K01	TQ1515-K01	SPRING MOTOR ASS'Y: Spring Motor, Spool, Shaft & Bushings in sealed canister.
2	TQ1507-K02*	TQ1510-K02*	TQ1515-K02*	RH HOUSING ASS'Y: RH Housing Half, Ratchet Lock Ass'y (attached to housing).
3	TQ1507-K03*	TQ1510-K03*	TQ1515-K03*	LH HOUSING ASS'Y: LH Housing Half, Nameplate.
4	TQ1507-K04	TQ1510-K04	TQ1515-K04	CABLE GUIDE
5	TQ1507-K05	TQ1510-K05	TQ1515-K05	CABLE ASS'Y: Cable, Safety Clip, Lockwasher-M4, Hex Nut-M4.
6	TQ1507-K06	TQ1510-K06	TQ1515-K06	HANGING BRACKET ASS'Y: Hanging Bracket, Clevis, Clevis Pin, Cotter Pin, Slotted Machine Screw M14 x 14mm (3), Lockwasher-M4 (3), Hex Nut-M4 (3)
7	TQ1507-K07	TQ1510-K07	TQ1515-K07	HARDWARE PACKAGE: Spacer, Torsion Spring, Slotted Machine Screw M4 x 14mm (3), Slotted Machine Screw M4 x 8mm (6), Lockwasher-M4 (10), Hex Nut-M4 (10), Retaining Ring (3), Shim, Extension Spring, Ratchet Lock Assembly

**TECHNICAL
INFORMATION**

In the interest of continuing product improvement,
we reserve the right to change models,
specifications, and/or features without prejudice.

PROJECT: _____
 LOCATION: _____
 ARCHITECT: _____
 ENGINEER: _____
 CONTRACTOR: _____
 DATE: _____ SALES ENGINEER: _____

MOUNTING BRACKET - TYPE NS



NOTE: Blower can be rotated (360 degrees) in 90 degree increments, allowing for discharge from front, either side and rear as required for site conditions.

NOTE: The inlet can be supplied with multiple inlet fittings.

NOTE: See Fan Section for Fan Performance and dimensional information.

FAN BRACKET: Formed 14 GA. steel, reinforced with 1"x1"x.125 tube and nickel coated.

Standard Motors are Baldor with TEFC Enclosure. Standard Motors are UL UR Recognized as a component and CSA Certified in Canada.

The D Series fans are not UL Listed or CSA Certified as an assembly.

Motor specifications subject to change without notice.

The construction is Silumin (Silicon Aluminum Alloy) for the housing and the wheel.

* Please contact factory with your given application.



Series D
Blower Performance

TECHNICAL INFORMATION

In the interest of continuing product improvement,
we reserve the right to change models,
specifications, and/or features without prejudice.

PROJECT: _____
 LOCATION: _____
 ARCHITECT: _____
 ENGINEER: _____
 CONTRACTOR: _____
 DATE: _____ SALES ENGINEER: _____

www.monoxivent.com

info@monoxivent.com

309-794-1000

Page: OES-18

BLOWER PERFORMANCE CFM RATINGS AT LISTED SP

Model	HP	1"	2"	3"	4"	5"	6"	7"	DBA at 5'
D075-SS	.75	475	430	365	300	240	---	---	85
D10-SS	1.0	578	510	387	323	282	205	---	83
D15-LS	2.0	1200	1150	1000	810	670	400	---	86
D20-LM	3.0	1280	1250	1200	1120	970	830	700	86
D30-LM	3.0	1350	1310	1270	1200	1050	865	735	86

* **Note:** Standard Motors are Baldor with TEFC Enclosure. Motor - 3450 RPM. Standard Motors are UL UR Recognized as a component and CSA Certified in Canada.

The D Series Fans are not UL Listed or CSA Certified as an assembly.

Motor specifications subject to change without notice.

The construction is Silumin (Silicon Aluminum Alloy) for the housing and the wheel.

--- = Unstable operation

**1 Phase:
115/208/230 Volt**

**3 Phase:
208/230/460/575 Volt**

***D30 Available in 3 Phase only**



Pivoting Boom Arm
Technical Data

TECHNICAL INFORMATION

In the interest of continuing product improvement,
we reserve the right to change models,
specifications, and/or features without prejudice.

PROJECT: _____
LOCATION: _____
ARCHITECT: _____
ENGINEER: _____
CONTRACTOR: _____
DATE: _____ SALES ENGINEER: _____

www.monoxivent.com

info@monoxivent.com

309-794-1000

Page: OES-19

TECHNICAL DATA: PIVOTING BOOM ARM

BA & SB Pivoting Swivel Boom Extensions

The pivoting boom extension is designed as a one piece pivoting rigid extension. Many different accessories may be mounted directly on the end of the BA and SB boom. The BA and SB is supplied with a pivoting wall/column bracket constructed of a one piece die formed 3/8" industrial steel plate. The main horizontal boom section is of a truss type design using 2" heavy gauge tubular steel. The top and bottom horizontal sections are welded together in three locations using vertical tubular sections. The end of the BA and SB is supplied with a welded heavy gauge steel tear drop mounting plate.

This plate ring is pre-drilled to allow for the connection of many of the optional end accessories for easy and quick field assembly. The BA and SB extension boom is supplied with the hard duct supported on the top side of the boom by duct cradles. A 90° elbow is supplied to connect the hard duct to the angle ring and also to make the connection at the mounting location of the boom to either a fan or to a duct branch leading to a central fan. The BA and SB boom is available in three lengths: 7', 10', and 13'. The duct diameter on top of the boom is a standard 6". Please consult factory for other diameters and applications. The BA and SB are supplied with an industrial grade black powder coating for longevity.

PAC - Pivoting Articulating Crane Arm

The Pivoting Articulating Crane (PAC) is designed to allow the end of the crane and its accessories to be positioned at any point within its extended radius length. The PAC has a full pivoting wall/column bracket with a center pivoting joint, which allows the PAC to swivel, fold, and create a scissor effect at the center joint.

The wall/column mount bracket is constructed of a one piece, die formed, 3/8" industrial steel plate. The first section of the PAC horizontal extension is constructed of 4" x 2" tubular steel. The second section of the PAC horizontal extension is constructed of 4" x 2" tubular steel.

The two horizontal sections are joined together by grade 8 bolts and hardware to allow for easy and free movement of the two sections. The PAC is supplied with two hard duct sections that sit on duct cradles on the top side of each of the horizontal sections. The PAC is supplied with two sections of flexible hose. One flexible hose section connects the two hard duct sections at the middle pivot joint and the second flexible hose is for connection of the first hard duct section to either a fan inlet or to a hard duct branch leading to a central fan.

The PAC is supplied with the following lengths: 10', 15', and 20'. The PAC is supplied in the following diameters: 4", 5", 6", or 8". Larger diameters are available, please consult factory. The PAC is supplied with industrial grade black powder coating with yellow safety strips.

OVERHEAD
EXHAUST SYSTEMS

**TECHNICAL
INFORMATION**

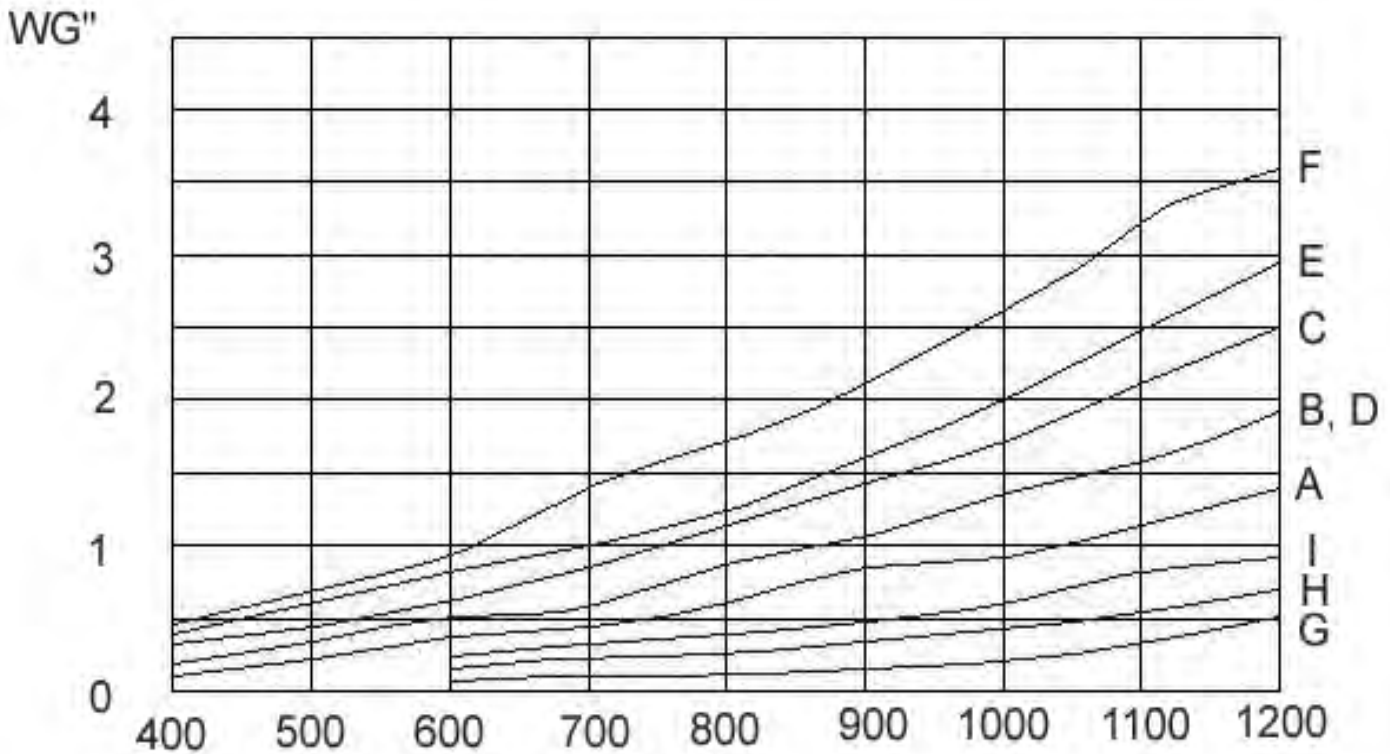
In the interest of continuing product improvement,
we reserve the right to change models,
specifications, and/or features without prejudice.

PROJECT: _____
 LOCATION: _____
 ARCHITECT: _____
 ENGINEER: _____
 CONTRACTOR: _____
 DATE: _____ SALES ENGINEER: _____

STATIC PRESSURE GRAPH

Letter	Model	Description
A	SB-7/BA-7	7' x 6" Swivel Boom and Boom for Arm
B	SB-10/BA-10	10' x 6" Swivel Boom and Boom for Arm
C	SB-13/BA-13	13' x 6" Swivel Boom and Boom for Arm
D	PAC-10	10' x 6" Pivoting Articulating Crane
E	PAC-15	15' x 6" Pivoting Articulating Crane
F	PAC-20	20' x 6" Pivoting Articulating Crane
G	PAC-10-8	10' x 8" Pivoting Articulating Crane
H	PAC-15-8	15' x 8" Pivoting Articulating Crane
I	PAC-20-8	20' x 8" Pivoting Articulating Crane

The pressure loss may vary in the PAC, because the PAC has a center pivot joint that allows the PAC to fold. The graph takes into consideration a moderate center joint bend. The graph is for dual loss of the boom and crane. The additional loss of the end accessory needs to be added.



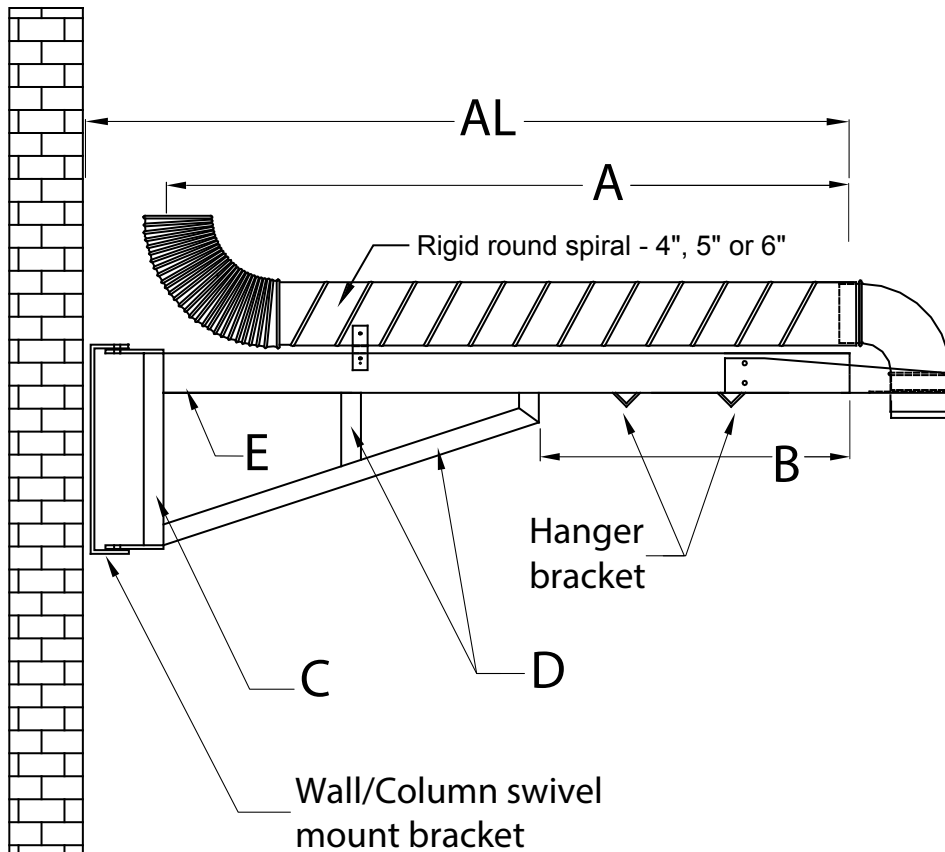
OVERHEAD
EXHAUST SYSTEMS

**TECHNICAL
INFORMATION**

In the interest of continuing product improvement,
we reserve the right to change models,
specifications, and/or features without prejudice.

PROJECT: _____
 LOCATION: _____
 ARCHITECT: _____
 ENGINEER: _____
 CONTRACTOR: _____
 DATE: _____ SALES ENGINEER: _____

SWIVEL BOOM



	A	B	AL
SB-7	69.50"	31.48"	7'
SB-10	106"	54"	10'
SB-13	141.50"	54"	13'

C - 2" x 2" x 3/16" heavy wall tube. Tube is finished with an industrial epoxy powder coat finish.
 D - 2" x 2" x 1/8" heavy wall tube. Tube is finished with an industrial epoxy powder coat finish.
 E - 4" x 2" x 3/16" heavy wall tube. Tube is finished with an industrial epoxy powder coat finish.
 Wall swivel bracket is formed from plate steel.

Range of swivel for wall/column section is approximately 200 degrees.

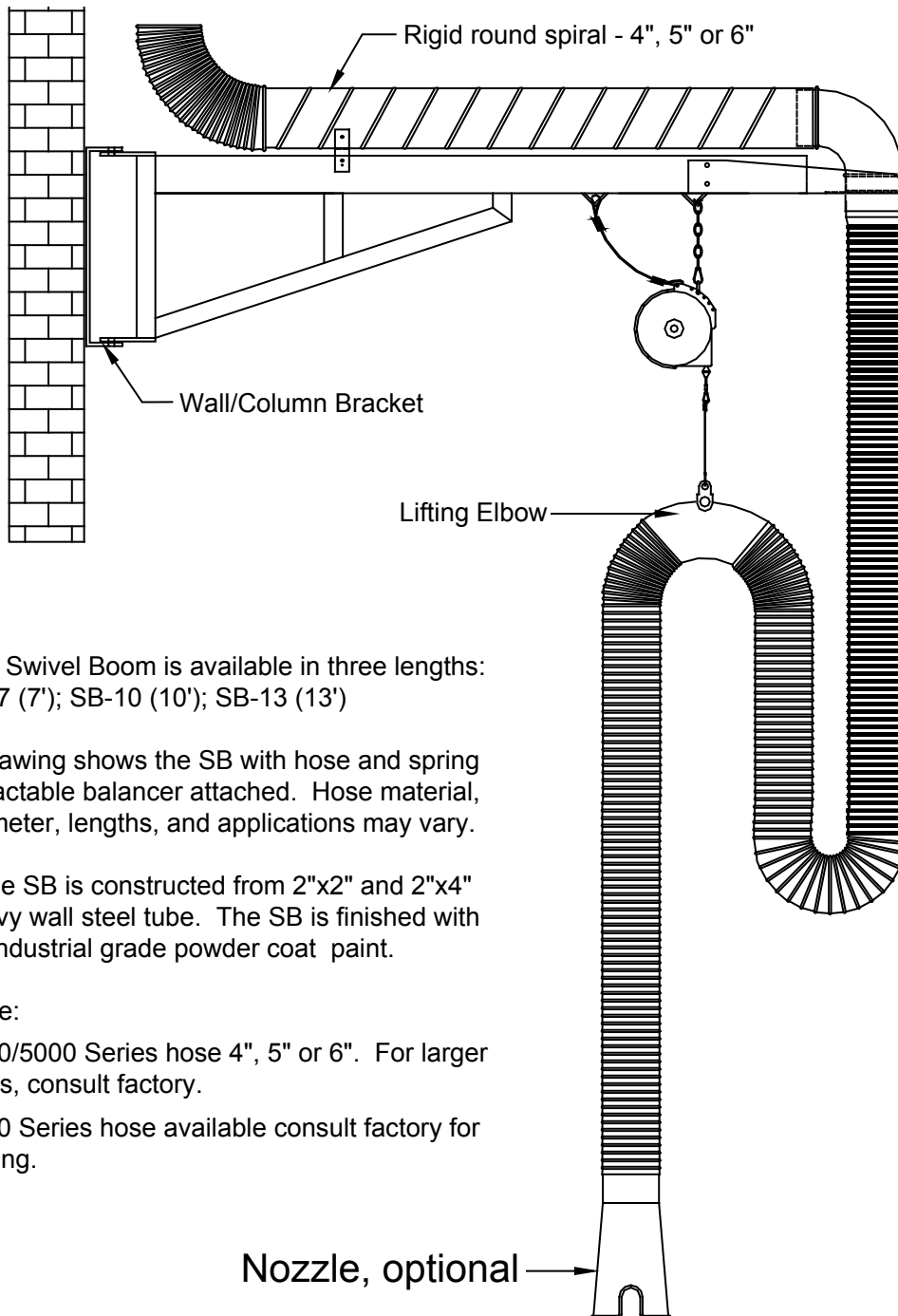
Drawing shows the swivel boom arm only. There are a number of options for attachment. Other catalog pages display accessories available with SB.

**TECHNICAL
INFORMATION**

In the interest of continuing product improvement,
we reserve the right to change models,
specifications, and/or features without prejudice.

PROJECT: _____
 LOCATION: _____
 ARCHITECT: _____
 ENGINEER: _____
 CONTRACTOR: _____
 DATE: _____ SALES ENGINEER: _____

SWIVEL BOOM



The Swivel Boom is available in three lengths:
SB-7 (7'); SB-10 (10'); SB-13 (13')

* Drawing shows the SB with hose and spring retractable balancer attached. Hose material, diameter, lengths, and applications may vary.

* The SB is constructed from 2"x2" and 2"x4" heavy wall steel tube. The SB is finished with an industrial grade powder coat paint.

Hose:

4000/5000 Series hose 4", 5" or 6". For larger sizes, consult factory.

7000 Series hose available consult factory for pricing.

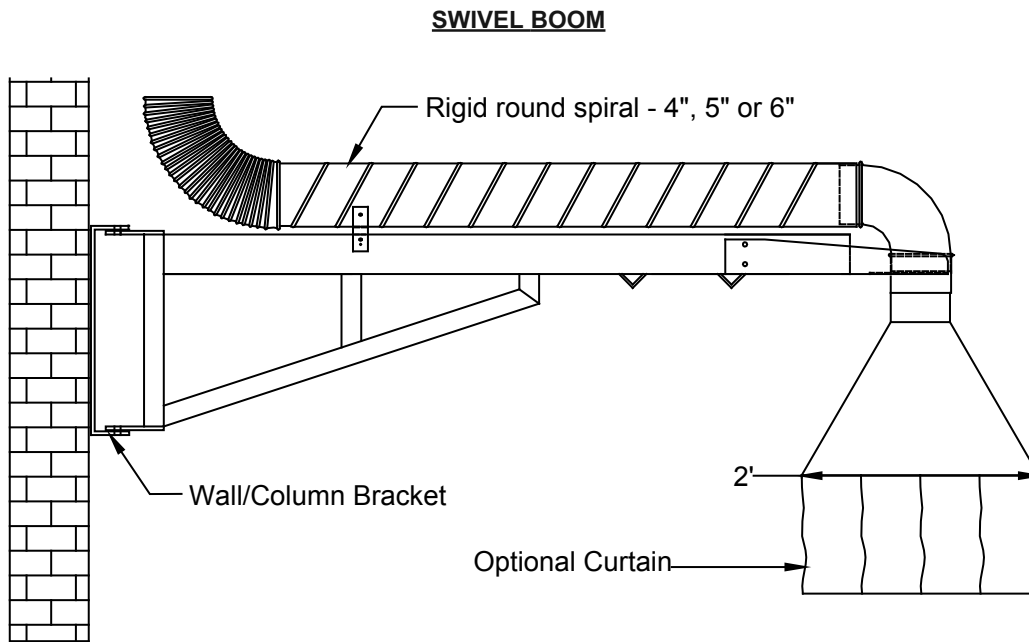
Nozzle, optional

Provided With: _____ Diameter _____ Feet/Hose _____ Series Hose

**TECHNICAL
INFORMATION**

In the interest of continuing product improvement,
we reserve the right to change models,
specifications, and/or features without prejudice.

PROJECT: _____
LOCATION: _____
ARCHITECT: _____
ENGINEER: _____
CONTRACTOR: _____
DATE: _____ SALES ENGINEER: _____



The Swivel Boom is available in three lengths:
SB-7 (7'); SB-10 (10'); SB-13 (13')

Connecting hose to exhaust duct is available in
various material, diameter, lengths.

* Drawing shows the SB with the 24" round
aluminum hood attached. Other hood sizes are
available upon request. Contact the factory.

* The SB is constructed from 2"x2" and 2"x4"
heavy wall steel tube. The SB is finished with
an industrial grade powder coat paint.

* The SB system with the fixed hood is
designed for many applications. The hood can
be used to position over vehicle vertical exhaust
stacks, welding tables, air borne dust, fumes
and many other areas where air borne hazards
need to be controlled.

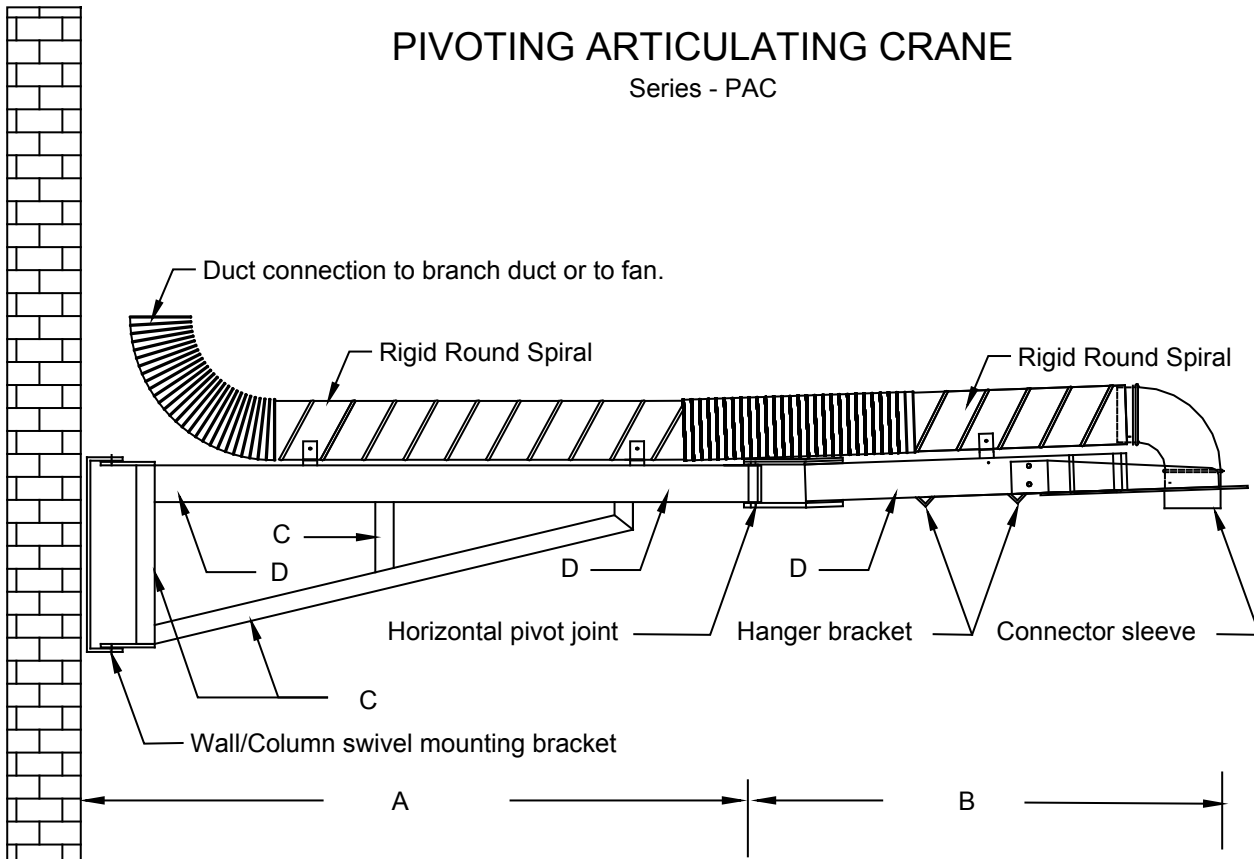
* The SB can be ducted into a central exhaust
system or each SB can have it's own fan.

**TECHNICAL
INFORMATION**

In the interest of continuing product improvement,
we reserve the right to change models,
specifications, and/or features without prejudice.

PROJECT: _____
 LOCATION: _____
 ARCHITECT: _____
 ENGINEER: _____
 CONTRACTOR: _____
 DATE: _____ SALES ENGINEER: _____

PIVOTING ARTICULATING CRANE
Series - PAC



	A	B	AL
PAC-10	6'	4'	10'
PAC-15	9'	6'	15'
PAC-20	11'	9'	20'

C - 2" x 2" heavy wall tube. Tube is finished with an industrial epoxy powder coat finish
 D - 4" x 2" heavy wall tube. Tube is finished with an industrial epoxy powder coat finish
 Wall swivel bracket is formed from plate steel.

Range of swivel for wall/column section is approximately 200 degrees. Range of swivel for end section is approximately 270 degrees.

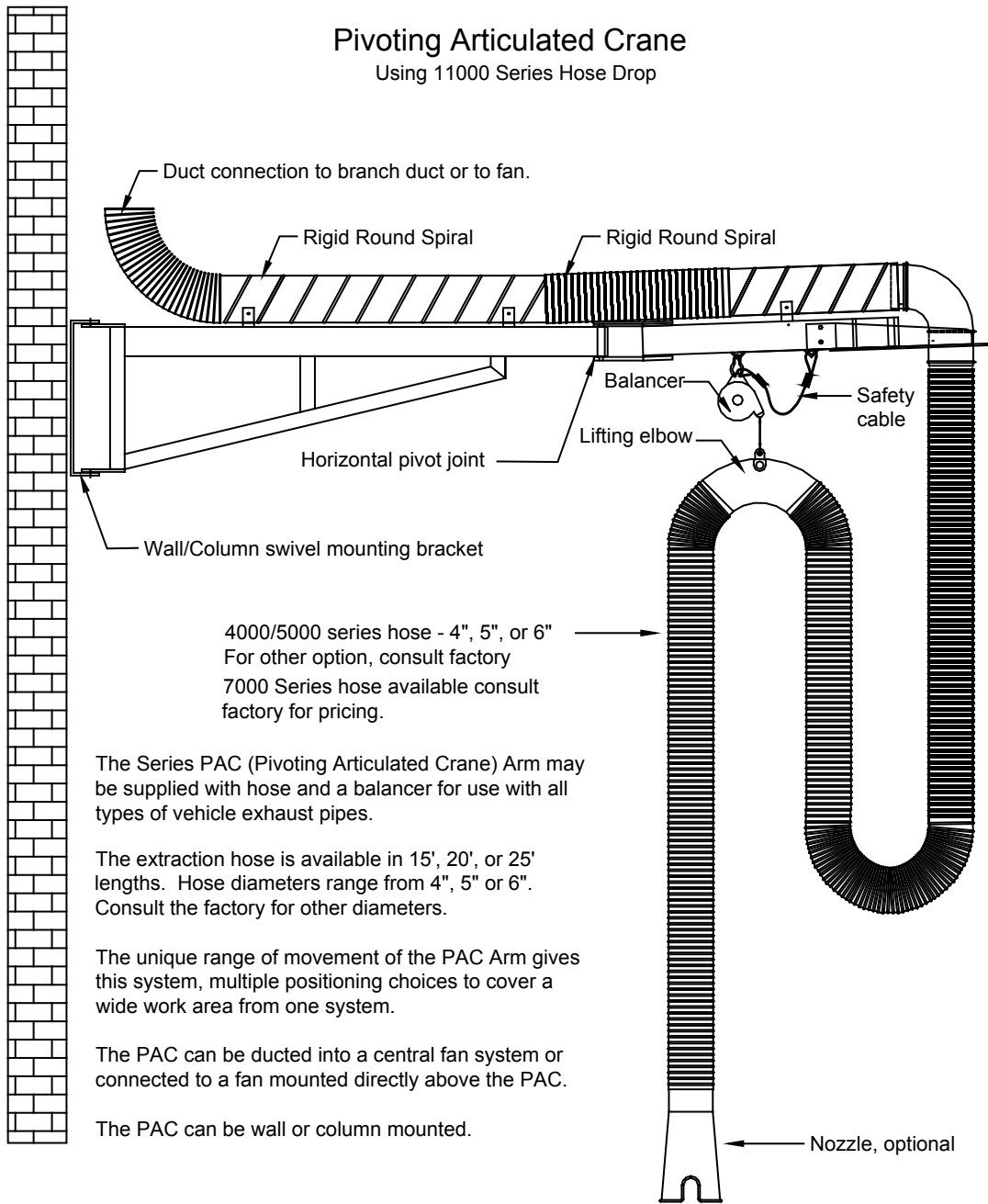
Drawing shows the PAC arm only. There are a number of options for attachment. Other catalog pages display accessories available with PAC.

**TECHNICAL
INFORMATION**

In the interest of continuing product improvement,
we reserve the right to change models,
specifications, and/or features without prejudice.

PROJECT: _____
 LOCATION: _____
 ARCHITECT: _____
 ENGINEER: _____
 CONTRACTOR: _____
 DATE: _____ SALES ENGINEER: _____

Pivoting Articulated Crane
Using 11000 Series Hose Drop



4000/5000 series hose - 4", 5", or 6"
For other option, consult factory
7000 Series hose available consult
factory for pricing.

The Series PAC (Pivoting Articulated Crane) Arm may be supplied with hose and a balancer for use with all types of vehicle exhaust pipes.

The extraction hose is available in 15', 20', or 25' lengths. Hose diameters range from 4", 5" or 6". Consult the factory for other diameters.

The unique range of movement of the PAC Arm gives this system, multiple positioning choices to cover a wide work area from one system.

The PAC can be ducted into a central fan system or connected to a fan mounted directly above the PAC.

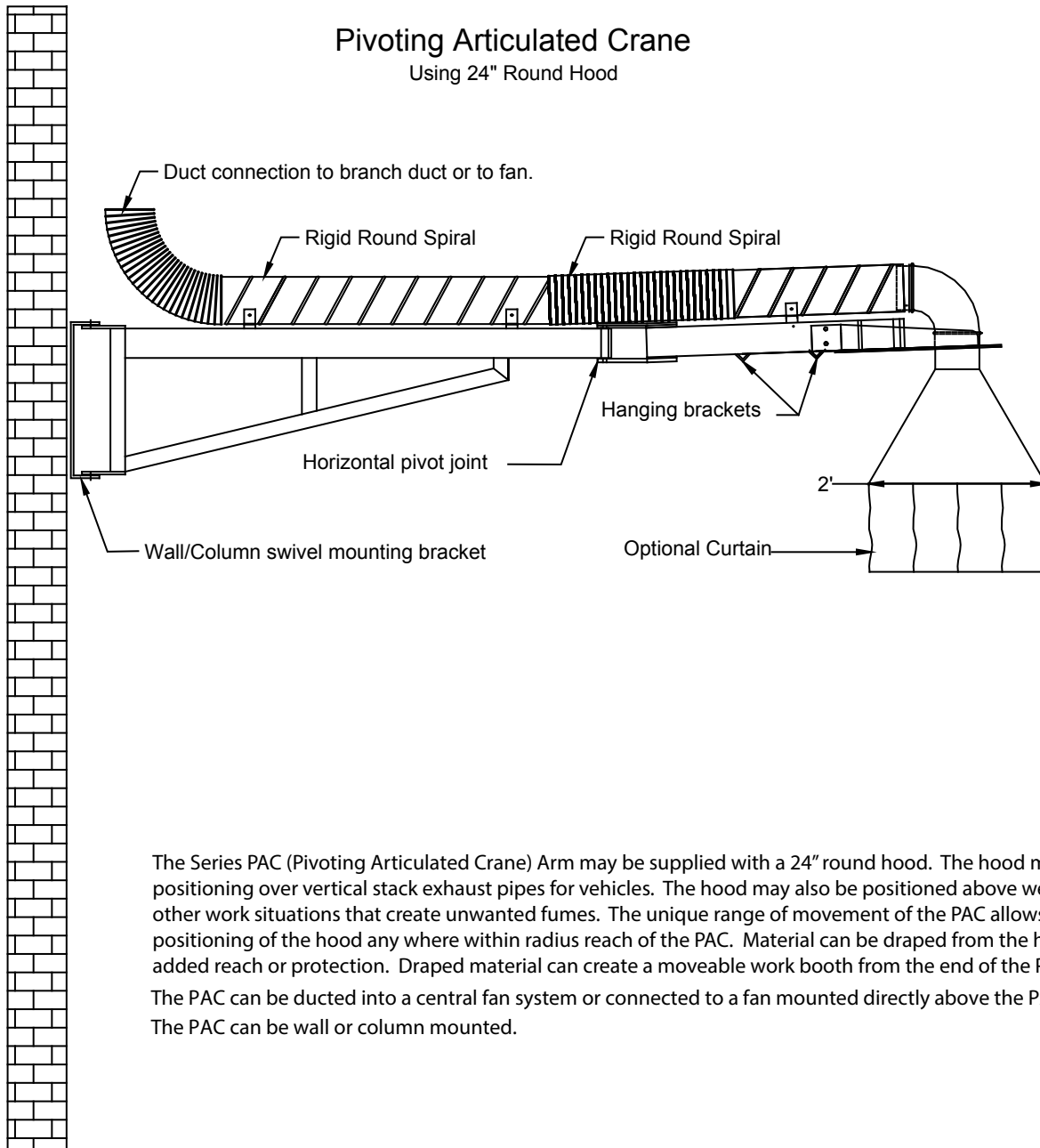
The PAC can be wall or column mounted.

Provided With: _____ Diameter _____ Feet/Hose _____ Series Hose

TECHNICAL INFORMATION

In the interest of continuing product improvement,
we reserve the right to change models,
specifications, and/or features without prejudice.

PROJECT: _____
LOCATION: _____
ARCHITECT: _____
ENGINEER: _____
CONTRACTOR: _____
DATE: _____ SALES ENGINEER: _____



The Series PAC (Pivoting Articulated Crane) Arm may be supplied with a 24" round hood. The hood may be used for positioning over vertical stack exhaust pipes for vehicles. The hood may also be positioned above welding areas or other work situations that create unwanted fumes. The unique range of movement of the PAC allows the positioning of the hood anywhere within radius reach of the PAC. Material can be draped from the hood to give added reach or protection. Draped material can create a moveable work booth from the end of the PAC. The PAC can be ducted into a central fan system or connected to a fan mounted directly above the PAC. The PAC can be wall or column mounted.



Pivoting Articulated Crane
Arm & Swivel Boom Wall
Bracket

TECHNICAL INFORMATION

In the interest of continuing product improvement,
we reserve the right to change models,
specifications, and/or features without prejudice.

PROJECT: _____
LOCATION: _____
ARCHITECT: _____
ENGINEER: _____
CONTRACTOR: _____
DATE: _____ SALES ENGINEER: _____

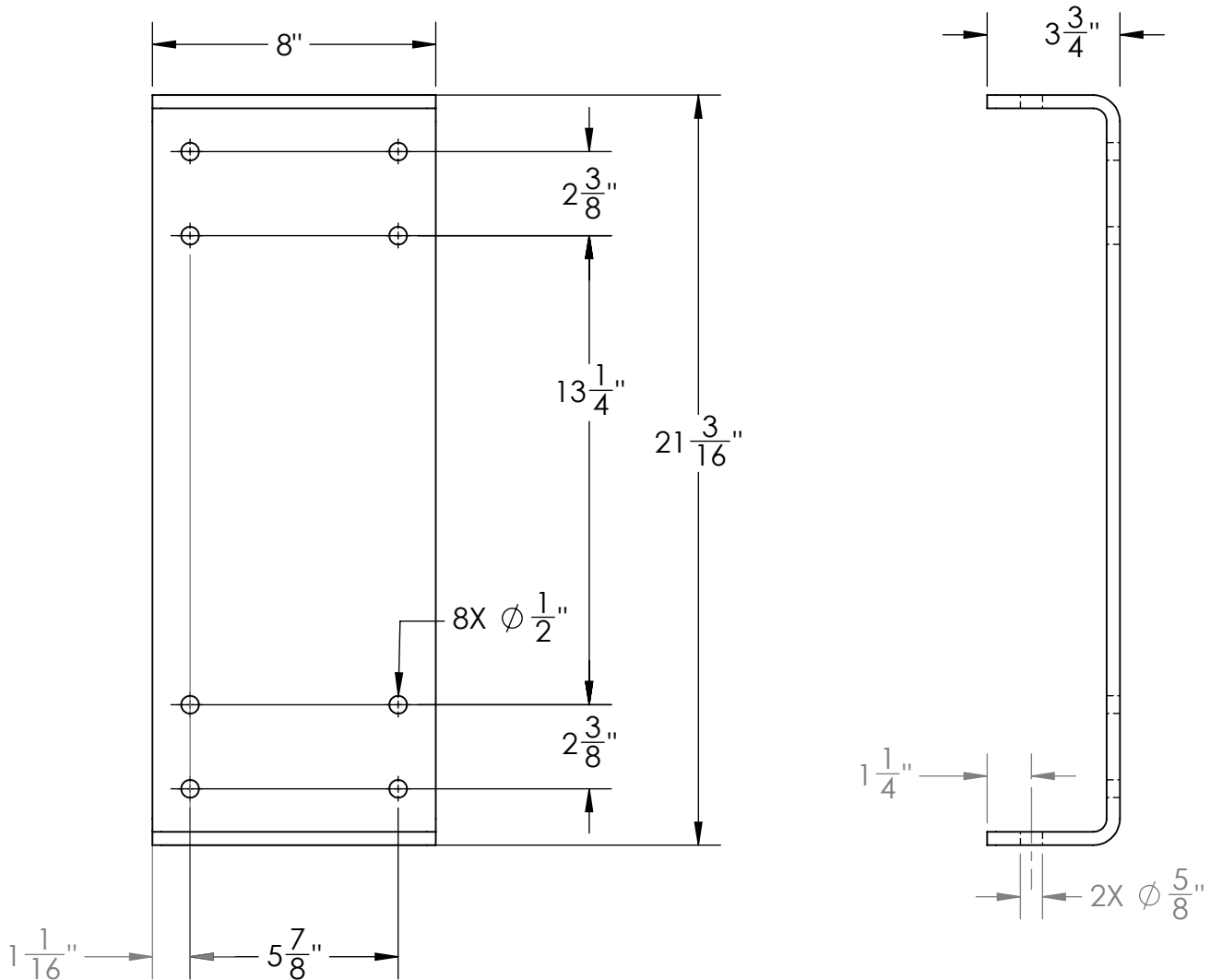
www.monoxivent.com

info@monoxivent.com

309-794-1000

Page: OES-26

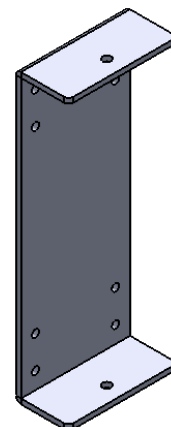
OVERHEAD
EXHAUST SYSTEMS



Material:

Die Formed 3/8" Industrial Steel
Plate. Powder Coated Black

*Dimensions may vary, Not for construction.





11000-FMB-2 Dual Drops
Y Fitting with Balancers &
Lifting Elbows

TECHNICAL INFORMATION

In the interest of continuing product improvement, we reserve the right to change models, specifications, and/or features without prejudice.

PROJECT: _____
 LOCATION: _____
 ARCHITECT: _____
 ENGINEER: _____
 CONTRACTOR: _____
 DATE: _____ SALES ENGINEER: _____

www.monoxivent.com

info@monoxivent.com

309-794-1000

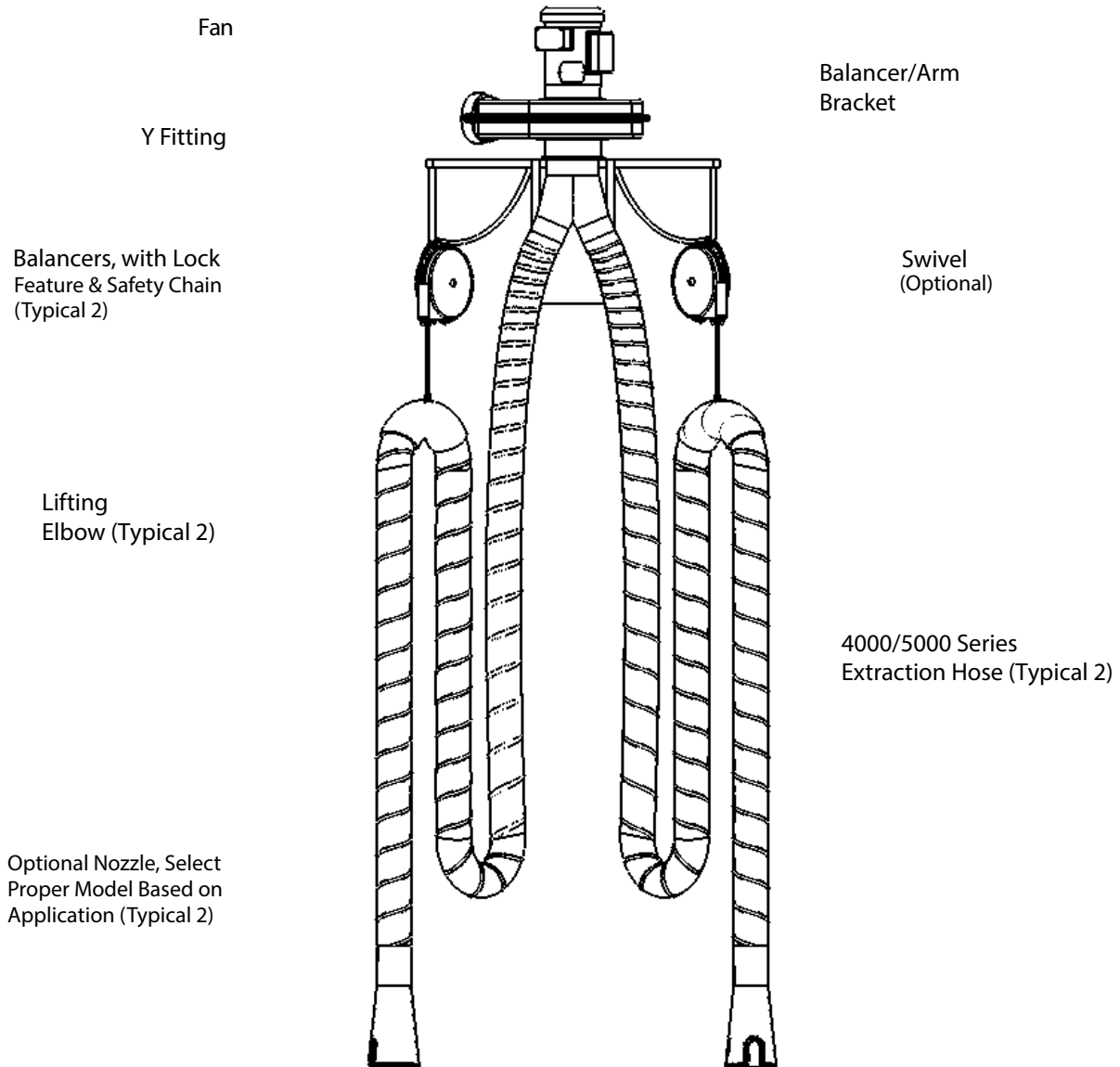
Page: OES-27

The **Series 11000-FMB-2** is a system providing one bracket/fan complete with two hose drops for a two-bay application. Balancer features a safety chain and position locking control.

Note: 11000-FMB-2 System is supplied with mounting bracket and fan. 4000/5000 Series Hose is used - hose supplied is 4", 5", or 6" in diameter. Hose is supplied in 15' - 30' lengths for 5000 Hose and 16', 20', 24' lengths for 4000 Hose.

Note: Fan HP for hose diameter follows:

4" Diameter Hose	1 HP Fan, D10, 1 PH standard
5" Diameter Hose	2 HP Fan, D20, 1 PH standard
6" Diameter Hose	3 HP Fan, D30, 3 PH standard



Provided With: _____ Diameter _____ Feet/Hose _____ Series Hose

OVERHEAD EXHAUST SYSTEMS



11000-FMB-2

Dual Drops - Y Fitting

TECHNICAL INFORMATION

In the interest of continuing product improvement, we reserve the right to change models, specifications, and/or features without prejudice.

PROJECT: _____
 LOCATION: _____
 ARCHITECT: _____
 ENGINEER: _____
 CONTRACTOR: _____
 DATE: _____ SALES ENGINEER: _____

www.monoxivent.com

info@monoxivent.com

309-794-1000

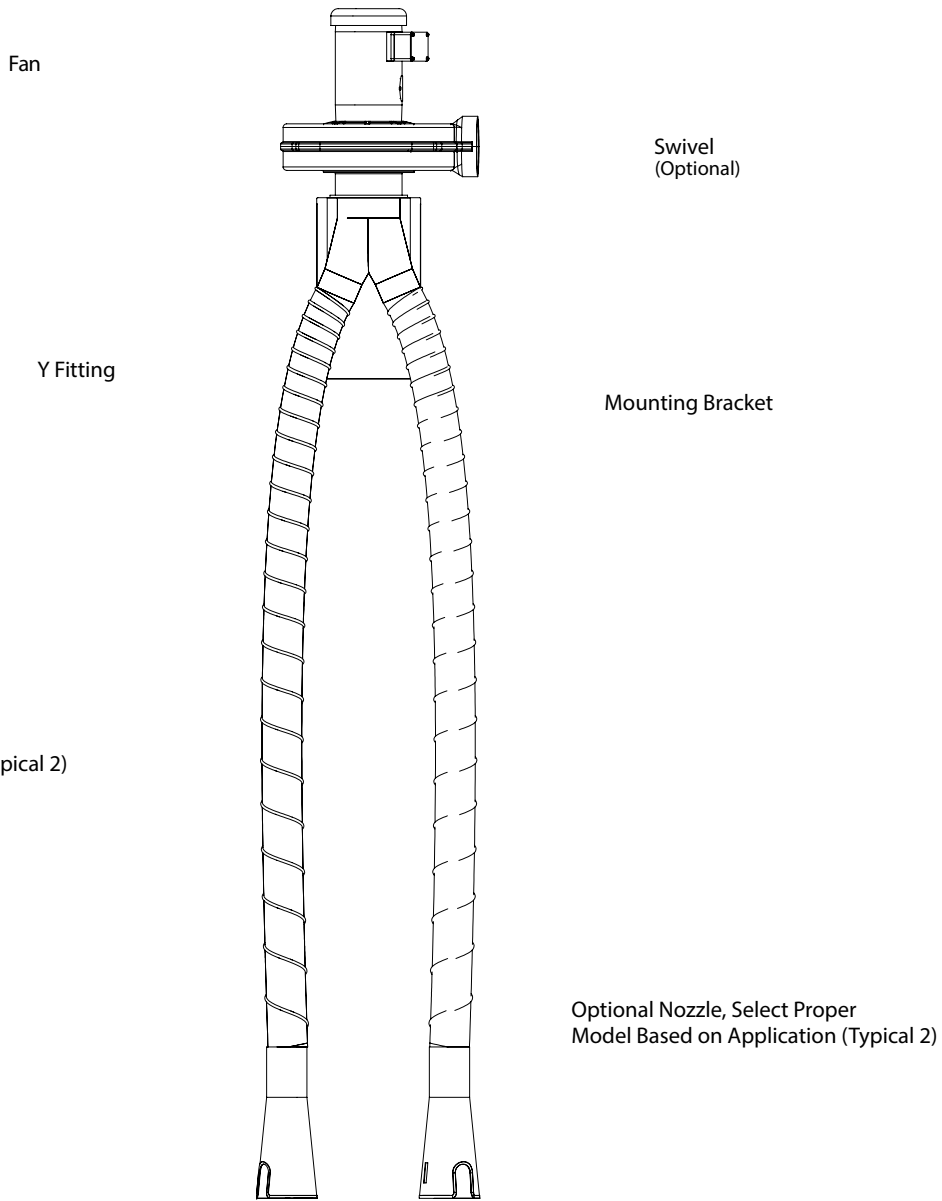
Page: OES-28

The **Series 11000-FMB-2** is a system providing one bracket/fan complete with two hose drops for a two-bay application.

Note: 11000-FMB-2 System is supplied with mounting bracket and fan. 4000/5000 Series Hose is used - hose supplied is 4", 5", or 6" in diameter. Hose is supplied in 15' - 30' lengths for 5000 Hose and 16', 20', 24' lengths for 4000 Hose.

Note: Fan HP for hose diameter follows:	4" Diameter Hose	1 HP Fan, D10, 1 PH standard
	5" Diameter Hose	2 HP Fan, D20, 1 PH standard
	6" Diameter Hose	3 HP Fan, D30, 3 PH standard

OVERHEAD EXHAUST SYSTEMS



4000/5000 Series Extraction Hose (Typical 2)

Optional Nozzle, Select Proper Model Based on Application (Typical 2)

Provided With: _____ Diameter _____ Feet/Hose _____ Series Hose



11000-FMB-2 Dual Drops -
Y Fitting with Pulley Hook
& Cable or Rope System

TECHNICAL INFORMATION

In the interest of continuing product improvement, we reserve the right to change models, specifications, and/or features without prejudice.

PROJECT: _____
 LOCATION: _____
 ARCHITECT: _____
 ENGINEER: _____
 CONTRACTOR: _____
 DATE: _____ SALES ENGINEER: _____

www.monoxivent.com

info@monoxivent.com

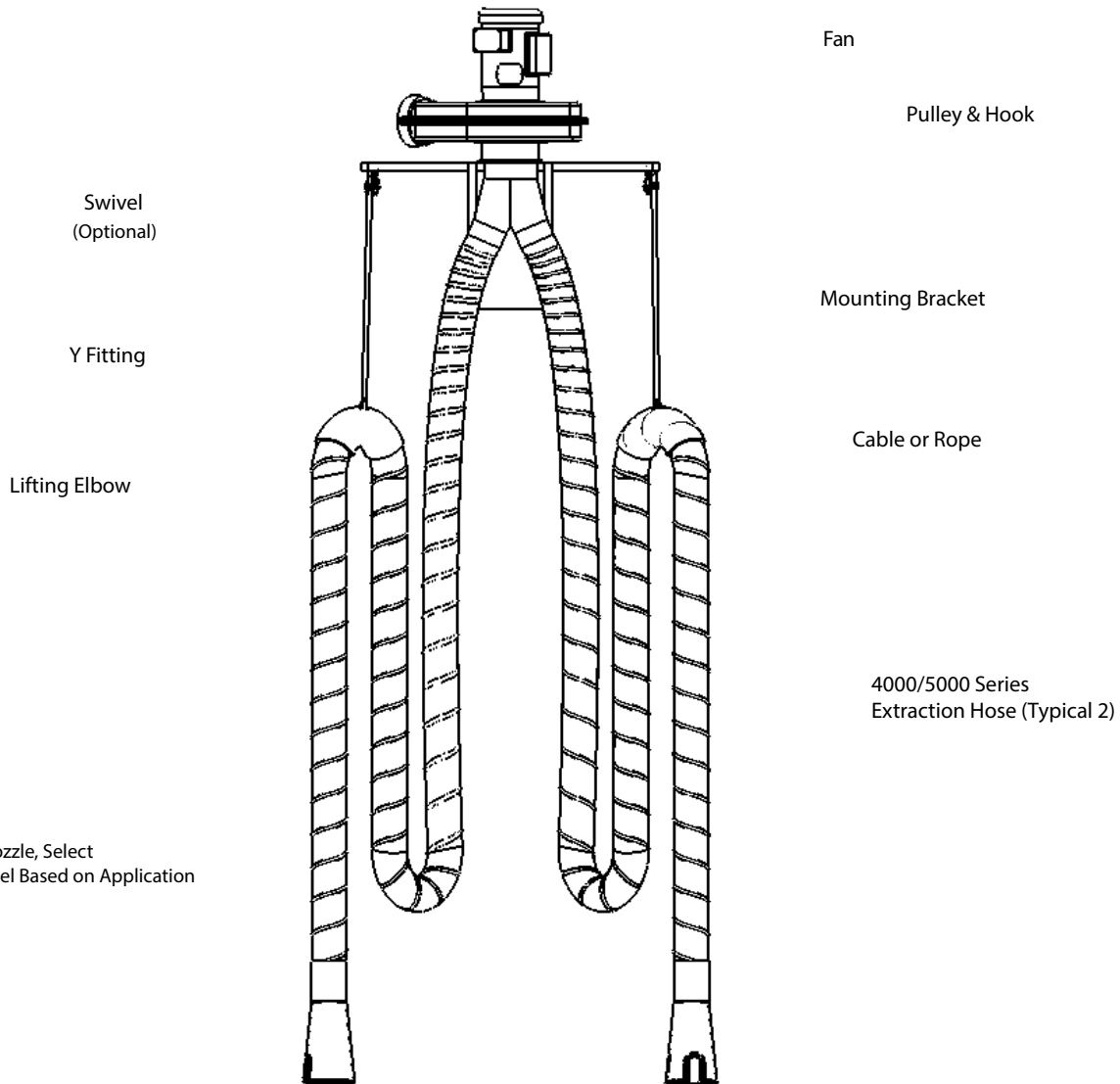
309-794-1000

Page: OES-29

The **Series 11000-FMB-2** is a system providing one bracket/fan complete with two hose drops for a two-bay application. Pulley and hook holds cable or rope configuration in place. Wall cleats provided with rope/pulley or a hand winch is provided for cable pull-up system.

Note: 11000-FMB-2 System is supplied with mounting bracket and fan. 4000/5000 Series Hose is used - hose supplied is 4", 5", or 6" in diameter. Hose is supplied in 15' - 30' lengths for 5000 Hose and 16', 20', 24' lengths for 4000 Hose.

Note: Fan HP for hose diameter follows:	4" Diameter Hose	1 HP Fan, D10, 1 PH standard
	5" Diameter Hose	2 HP Fan, D20, 1 PH standard
	6" Diameter Hose	3 HP Fan, D30, 3 PH standard



Optional Nozzle, Select Proper Model Based on Application (Typical 2)

OVERHEAD EXHAUST SYSTEMS

Provided With: _____ Diameter _____ Feet/Hose _____ Series Hose



TECHNICAL INFORMATION

In the interest of continuing product improvement, we reserve the right to change models, specifications, and/or features without prejudice.

PROJECT: _____

LOCATION: _____

ARCHITECT: _____

ENGINEER: _____

CONTRACTOR: _____

DATE: _____ SALES ENGINEER: _____

www.monoxivent.com

info@monoxivent.com

309-794-1000

Page: OES-30

THIS PAGE LEFT INTENTIONALLY BLANK

DISCONTINUED PRODUCT:

MONOXIRAIL 11000 Series

OVERHEAD EXHAUST SYSTEMS



TECHNICAL INFORMATION

In the interest of continuing product improvement, we reserve the right to change models, specifications, and/or features without prejudice.

PROJECT: _____
LOCATION: _____
ARCHITECT: _____
ENGINEER: _____
CONTRACTOR: _____
DATE: _____ SALES ENGINEER: _____

www.monoxivent.com

info@monoxivent.com

309-794-1000

Page: OES-31

THIS PAGE LEFT INTENTIONALLY BLANK

DISCONTINUED PRODUCT:

RTS Series Retractable Telescopic System

OVERHEAD
EXHAUST SYSTEMS



4

NORFI Rail

When selecting a Norfi Rail package:

- STEP 1 Determine Rail type. (Techno, ALU150, ALU250)
 Determine Rail length.
 Determine Drop type (Reel, Overhead, RTS)
 Determine type of Hose (4000 or 5000 Series, Contact Factory for other Hose Types)
 Determine Necessary Length of Hose.
 Determine Diameter of Hose for application.
- STEP 2 Determine Nozzle/Adapter Series
 Determine Size
 Determine other Necessary Features
- STEP 3 Determine if Options are needed for Nozzles/Adapters
- STEP 4 Determine if Fans are needed
 If yes, determine Fan size, Mounting, and any needed Additional Components

Notes:

The NORFI product will be divided into: MONOXIRAIL Systems and NORFI Tailpipe Adapters. The MONOXIRAIL Systems include connections for hose reels, simple drops, and welding capture arms. Each System is offered with either the Technorail or ALU configuration.

PLEASE CONSULT FACTORY FOR OVERSIZED OR CUSTOM RAIL APPLICATIONS.



TECHNICAL INFORMATION

In the interest of continuing product improvement, we reserve the right to change models, specifications, and/or features without prejudice.

PROJECT: _____
 LOCATION: _____
 ARCHITECT: _____
 ENGINEER: _____
 CONTRACTOR: _____
 DATE: _____ SALES ENGINEER: _____

www.monoxivent.com

info@monoxivent.com

309-794-1000

Page: N-1

TECHNORAIL & ALU150/250 SPECIFICATION

The equipment specified herein shall be a standard TechnoRail or ALU150/250 product of Monoxivent/NORFI.

SUCTION RAIL ASSEMBLY

The Suction Rail shall be an aluminum extrusion that is formed in a configuration such that the extrusion serves not only as a suction duct, but also as the guide rail that the extraction trolley travels in. The wall thickness of the aluminum extrusion shall be no less than .1043". The weight of the aluminum extrusion is 6.09 lbs. per lineal foot. The area of the aluminum extrusion, in a cross-sectional view, shall have the minimum equivalent area of 27 sq. in. (160 mm) with an overall length as specified and indicated on the drawings. The width of the rail shall be 6.0 in. (155 mm) and the height 7.0 in. (176 mm) each open end of the suction rail shall be covered with an end cap that can also be used as a round duct outlet. As an alternate outlet, one or more rectangular-to-round transitions can be mounted on the topside of the suction rail after the cutout has been made per the manufacturer's specified size. A pair of Neoprene rubber seals is installed at the bottom of the extrusion opening. The rubber seals close tightly during fan operation for an airtight seal, but open evenly around the trolley during trolley travel. The suction rail shall be supplied with internal rubber bumpers installed at both ends that serve as secondary stops to the trolley. The suction rail shall be supplied with suspension attachments that are specifically designed for fastening to the configuration of the suction rail. Spacing of the suspension attachments shall not exceed 15 feet center-to-center.

EXTRACTION TROLLEY ASSEMBLY

The Extraction Trolley Assembly serves as the component in the Rail System that travels in the suction rail, carries and supports the vertical hose assembly and balancer. The Extraction Trolley body shall be made of cast aluminum with a low friction stainless steel sliding plates on both sides to enable the trolley to travel smooth through the rubber seal. It shall have 6 composite ball-bearing running wheels and 4 ball bearing lateral support rollers and shock absorber. It shall be complete with an integral damper that is controlled by means of a cable that is attached to a hose balancer that will open and close the damper as needed. The trolley will also have an integrated safety connection to prevent the trolley from falling in the event of an accident. Shall be equipped with connection for a Balancer. May also be used without damper and balancer connection.

BALANCER

Attached to the Extraction Trolley is a Balancer. The adjustable tension Balancer shall retract the hose and nozzle away from the vehicle as it leaves the building and safely suspend the assembly off the floor in the storage position when not in use. The Balancer shall be designed with a spring characteristics that ensure that the cord is wound onto the drum at a constant speed. Must be included with a Balancer Bracket for Trolley mounting.

END STOP

The Rail shall be equipped with an End Stop, one for each end, which is designed to stop the trolley softly. Necessary mounting accessories must be included.

(Specific drop type, hose length and diameter, and nozzle TBD.)

Monoxirail Simple Drops



Technorail Simple Hose Drop



ALU Rail Simple Hose Drop

MONOXIRAIL Systems, with Simple Drops, are one of the most versatile indoor source capture solutions on the market today.

The Systems are provided with two models: the ALU Rail and Technorail. The Technorail models easily handle smaller air volumes and lighter weight equipment and accessories, while the ALU models are geared for higher air volumes and larger equipment.

The Systems are available for use with Monoxivent's RTS (Retractable Telescopic System) or Simple Drops with Balancers.

Please visit the Monoxivent.com to learn more about these products or contact us directly for custom applications.



NORFI Products
Monoxirail Welding Arms

TECHNICAL INFORMATION

In the interest of continuing product improvement,
we reserve the right to change models,
specifications, and/or features without prejudice.

PROJECT:	_____
LOCATION:	_____
ARCHITECT:	_____
ENGINEER:	_____
CONTRACTOR:	_____
DATE:	SALES ENGINEER: _____

www.monoxivent.com

info@monoxivent.com

309-794-1000

Page: N-3

Monoxirail Welding Arms



Technorail Welding Arm



ALU Rail Welding Arm

MONOXIRAIL Systems, with Welding Source Capture Arms, provide versatile air cleaning solutions in industrial environments.

The Systems are provided with two models: the ALU Rail and Technorail. The Technorail models easily handle smaller air volumes and lighter weight equipment and accessories, while the ALU models are geared for higher air volumes and larger equipment.

The Systems are available for use with 15000 Internal Support Arm, 15000-TT Tube Type Arm, and 15320 Telescopic Arm.

Please visit the Monoxivent.com to learn more about these products or contact us directly for custom applications.

TECHNICAL INFORMATION

In the interest of continuing product improvement,
we reserve the right to change models,
specifications, and/or features without prejudice.

PROJECT: _____
LOCATION: _____
ARCHITECT: _____
ENGINEER: _____
CONTRACTOR: _____
DATE: _____ SALES ENGINEER: _____

Monoxivent Hose Reels



Technorail Hose Reel



ALU Rail Hose Reel

MONOXIRAIL Systems, with Hose Reels, are a premier solution for vehicle exhaust fume extraction. The rail combined with the hose reel creates a free and open work environment within numerous applications.

The Systems will be provided with two models: the ALU Rail and Technorail. The Technorail models easily handle smaller air volumes and lighter weight equipment and accessories, while the ALU models are geared for higher air volumes and larger equipment.

The Systems are available for use with Monoxivent's 9000 Series Spring and Motor Hose Reels.

Please visit the Monoxivent.com to learn more about these products or contact us directly for custom applications.

**TECHNICAL
INFORMATION**

In the interest of continuing product improvement, we reserve the right to change models, specifications, and/or features without prejudice.

PROJECT: _____
 LOCATION: _____
 ARCHITECT: _____
 ENGINEER: _____
 CONTRACTOR: _____
 DATE: _____ SALES ENGINEER: _____

NORFI Technorail



Product Description:

Aluminum extraction rail with sealing lips and mounting profiles to carry moveable extraction trolleys. The extraction rail can be used with fully flexible hose systems. The Technorail modular concept caters for a wide range of applications and workplace environments. Straight-forward assembly, robust design with low pressure losses. Specification includes all necessary seals and clips.

Typical Applications:

Includes car and light commercial vehicle repair, welding shops and service workshops with medium exhaust duty requirement.

Materials:

Aluminum Rail, Neoprene Sealing Lips

ITEM NUMBER	RAIL LENGTH
N-T-2.5M	2.5 METERS
N-T-5M	5 METERS
N-T-7.5M	7.5 METERS
N-T-10M	10 METERS
N-T-12.5M	12.5 METERS
N-T-15M	15 METERS
N-T-17.5M	17.5 METERS
N-T-20M	20 METERS
N-T-22.5M	22.5 METERS
N-T-25M	25 METERS
N-T-27.5M	27.5 METERS
N-T-30M	30 METERS
N-T-32.5M	32.5 METERS

**TECHNICAL
INFORMATION**

In the interest of continuing product improvement, we reserve the right to change models, specifications, and/or features without prejudice.

PROJECT: _____
 LOCATION: _____
 ARCHITECT: _____
 ENGINEER: _____
 CONTRACTOR: _____
 DATE: _____ SALES ENGINEER: _____

NORFI ALU150



<p>Product Description: Aluminum extraction rail with sealing lips and mounting profiles to carry moveable extraction trolleys. The extraction rail can be used with hose reels and fully flexible hose systems. The ALU modular concept caters for a wide range of applications and workplace environments. Straight-forward assembly, robust design with low pressure losses. Includes all necessary seals, clips and brackets.</p> <p>Typical Applications: Includes test stands (full load) in car and truck repair and service workshops. Rail systems with a length of more than 6 meters require rail connectors.</p> <p>Materials: Aluminum Rail, Neoprene Sealing Lips</p> <p>*Sealing Lips also available in Silicon & Viton lip seal for high temperature</p>	ITEM NUMBER	RAIL LENGTH
	N-ALU150-2.5M	2.5 METERS
	N-ALU150-5M	5 METERS
	N-ALU150-7.5M	7.5 METERS
	N-ALU150-10M	10 METERS
	N-ALU150-12.5M	12.5 METERS
	N-ALU150-15M	15 METERS
	N-ALU150-17.5M	17.5 METERS
	N-ALU150-20M	20 METERS
	N-ALU150-22.5M	22.5 METERS
	N-ALU150-25M	25 METERS
	N-ALU150-27.5M	27.5 METERS
	N-ALU150-30M	30 METERS
N-ALU150-32.5M	32.5 METERS	



NORFI Products
ALU250 Rail

TECHNICAL INFORMATION

In the interest of continuing product improvement, we reserve the right to change models, specifications, and/or features without prejudice.

PROJECT: _____
 LOCATION: _____
 ARCHITECT: _____
 ENGINEER: _____
 CONTRACTOR: _____
 DATE: _____ SALES ENGINEER: _____

www.monoxivent.com

info@monoxivent.com

309-794-1000

Page: N-7

NORFI ALU250



Product Description:

Aluminum extraction rail with sealing lips and mounting profiles to carry moveable extraction trolleys. The extraction rail can be used with hose reels and fully flexible hose systems. The ALU modular concept caters for a wide range of applications and workplace environments. Straight-forward assembly, robust design with low pressure losses. Includes all necessary seals, clips and brackets.

Typical Applications:

Include truck repair and service workshops with higher exhaust duty requirement. Also can be utilized for weld fume applications in body repair shops. Rail systems with a length of more than 6 meters require rail connectors.

Materials:

Aluminum Rail, Neoprene Sealing Lips

*Sealing Lips also available in Silicon & Viton lip seal for high temperature

ITEM NUMBER	RAIL LENGTH
N-ALU250-2.5M	2.5 METERS
N-ALU250-5M	5 METERS
N-ALU250-7.5M	7.5 METERS
N-ALU250-10M	10 METERS
N-ALU250-12.5M	12.5 METERS
N-ALU250-15M	15 METERS
N-ALU250-17.5M	17.5 METERS
N-ALU250-20M	20 METERS
N-ALU250-22.5M	22.5 METERS
N-ALU250-25M	25 METERS
N-ALU250-27.5M	27.5 METERS
N-ALU250-30M	30 METERS
N-ALU250-32.5M	32.5 METERS

**TECHNICAL
INFORMATION**

In the interest of continuing product improvement, we reserve the right to change models, specifications, and/or features without prejudice.

PROJECT: _____
 LOCATION: _____
 ARCHITECT: _____
 ENGINEER: _____
 CONTRACTOR: _____
 DATE: _____ SALES ENGINEER: _____

NORFI Technorail Extraction Trolley




Product properties:

Extraction trolley for Technorail with 6 plastic-coated, ball bearing running wheels, 4 ball bearing lateral support rollers and shock absorber. Extraction nozzle manufactured from cast aluminum with stainless steel sliding plates ensures optimized airflow. Complete with shut off damper and fall protection.

Note: The air velocity in the exhaust hose should not exceed 59 fps.

Specifications:

Material: Aluminum
Weight: 9lbs. 11 oz.

	<p><u>Product description:</u> Movable extraction trolley with butterfly valve (operation through a wire with ring) and connection spigot for extraction hose.</p>	ITEM NUMBER	DIAMETER	MAX CFM
		N-33-4040-074	3"	165
		N-33-4040-098	4"	265
		N-33-4040-123	5"	470
		N-33-4040-148	6"	675
	<p><u>Product description:</u> Movable extraction trolley with butterfly valve (operation through balancer wire) and connection spigot for extraction hose.</p>	ITEM NUMBER	DIAMETER	MAX CFM
		N-33-4040-075	3"	165
		N-33-4040-099	4"	265
		N-33-4040-124	5"	470
		N-33-4040-149	6"	675
	<p><u>Product description:</u> Moveable extraction trolley with hose connection.</p>	ITEM NUMBER	DIAMETER	MAX CFM
		N-33-4040-076	3"	165
		N-33-4040-100	4"	265
		N-33-4040-125	5"	470
		N-33-4040-150	6"	675

**TECHNICAL
INFORMATION**

In the interest of continuing product improvement, we reserve the right to change models, specifications, and/or features without prejudice.

PROJECT: _____
 LOCATION: _____
 ARCHITECT: _____
 ENGINEER: _____
 CONTRACTOR: _____
 DATE: _____ SALES ENGINEER: _____

NORFI Technorail Hose Reel



Series 5000 Hose reel



Series 4000 Hose reel

Product Description: NORFI Technorail Hose Reel - Trolley Kit: including spring hose reel 5000 Series Hose; trolley; wheel support; connection bracket and elbow.	Item Number	Hose Diameter	Hose Length
	N-T-5-9204	4"	20'
	N-T-5-9205	5"	20'
	N-T-5-9206	6"	20'
	N-T-5-9254	4"	25'
	N-T-5-9255	5"	25'
N-T-5-9256	6"	25'	
Product Description: NORFI Technorail Hose Reel - Trolley Kit: including spring hose reel 4000 Series Hose; trolley; wheel support; connection bracket and elbow.	Item Number	Hose Diameter	Hose Length
	N-T-9204	4"	20'
	N-T-9205	5"	20'
	N-T-9206	6"	20'
	N-T-9244	4"	24'
	N-T-9245	5"	24'
N-T-9246	6"	24'	


****For more information regarding spring hose reels see section 1 of catalog***

**TECHNICAL
INFORMATION**

In the interest of continuing product improvement,
we reserve the right to change models,
specifications, and/or features without prejudice.

PROJECT: _____
 LOCATION: _____
 ARCHITECT: _____
 ENGINEER: _____
 CONTRACTOR: _____
 DATE: _____ SALES ENGINEER: _____

NORFI ALU150/250 Extraction Trolley


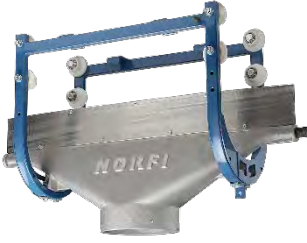
ITEM	DESCRIPTION	ITEM NUMBER																		
	<p><u>Product Description:</u> NORFI ALU150/250 EXTRACTION TROLLEY -Extraction trolley for ALU150/250 with plastic rollers and shock absorber. The trolley body is made of aluminum with stainless steel slide plate for proper air flow. Powder-coated, stable steel profile frame with welded support plates ensure maximum stability. Note: The air velocity in the exhaust hose should not exceed 59.1 ft./ s.</p> <table border="0"> <thead> <tr> <th data-bbox="480 877 586 907"><u>Nominal</u></th> <th data-bbox="948 877 1065 907"><u>Max CFM</u></th> <th></th> </tr> </thead> <tbody> <tr> <td data-bbox="480 919 586 949">3 in. Dia.</td> <td data-bbox="980 919 1032 949">165</td> <td data-bbox="1284 919 1471 949">N-30-4140-076</td> </tr> <tr> <td data-bbox="480 961 586 991">4 in. Dia.</td> <td data-bbox="980 961 1032 991">294</td> <td data-bbox="1284 961 1471 991">N-30-4140-100</td> </tr> <tr> <td data-bbox="480 1003 586 1033">5 in. Dia.</td> <td data-bbox="980 1003 1032 1033">471</td> <td data-bbox="1284 1003 1471 1033">N-30-4140-125</td> </tr> <tr> <td data-bbox="480 1045 586 1075">6 in. Dia.</td> <td data-bbox="980 1045 1032 1075">677</td> <td data-bbox="1284 1045 1471 1075">N-30-4140-150</td> </tr> <tr> <td data-bbox="480 1087 586 1117">7 in. Dia.</td> <td data-bbox="980 1087 1032 1117">942</td> <td data-bbox="1284 1087 1471 1117">N-30-4140-175</td> </tr> </tbody> </table>	<u>Nominal</u>	<u>Max CFM</u>		3 in. Dia.	165	N-30-4140-076	4 in. Dia.	294	N-30-4140-100	5 in. Dia.	471	N-30-4140-125	6 in. Dia.	677	N-30-4140-150	7 in. Dia.	942	N-30-4140-175	
<u>Nominal</u>	<u>Max CFM</u>																			
3 in. Dia.	165	N-30-4140-076																		
4 in. Dia.	294	N-30-4140-100																		
5 in. Dia.	471	N-30-4140-125																		
6 in. Dia.	677	N-30-4140-150																		
7 in. Dia.	942	N-30-4140-175																		

**TECHNICAL
INFORMATION**

In the interest of continuing product improvement,
we reserve the right to change models,
specifications, and/or features without prejudice.

PROJECT: _____
 LOCATION: _____
 ARCHITECT: _____
 ENGINEER: _____
 CONTRACTOR: _____
 DATE: _____ SALES ENGINEER: _____

NORFI ALU150/250 Extraction Trolley



ITEM	DESCRIPTION	ITEM NUMBER																		
	<p><u>Product Description:</u> NORFI ALU150/250 EXTRACTION TROLLEY -Extraction trolley for extraction rails ALU150/250 with ball bearing nylon rollers and rubber shock absorber. Aluminum suction nozzle with stainless steel sliding plates ensures smooth movement and optimizes air flow. Powder-coated, steel profile frame with welded stiffening plates to ensure maximum stability. Integrated automatic butterfly valve reduces air flow by 90% when the trolley is not in use. Integrated fall safety protection. The trolley is equipped with mount for balancers N-39-154-431 and N-39-154-631. Note: The air velocity in the exhaust hose should not exceed 59.1 ft./ s.</p> <table border="0"> <thead> <tr> <th data-bbox="456 1073 561 1100"><u>Nominal</u></th> <th data-bbox="927 1073 1040 1100"><u>Max CFM</u></th> <th data-bbox="1263 1115 1446 1142"></th> </tr> </thead> <tbody> <tr> <td data-bbox="456 1115 561 1142">3 in. Dia.</td> <td data-bbox="959 1115 1008 1142">165</td> <td data-bbox="1263 1115 1446 1142">N-30-4141-212</td> </tr> <tr> <td data-bbox="456 1152 561 1180">4 in. Dia.</td> <td data-bbox="959 1152 1008 1180">294</td> <td data-bbox="1263 1152 1446 1180">N-30-4141-213</td> </tr> <tr> <td data-bbox="456 1190 561 1218">5 in. Dia.</td> <td data-bbox="959 1190 1008 1218">471</td> <td data-bbox="1263 1190 1446 1218">N-30-4141-214</td> </tr> <tr> <td data-bbox="456 1228 561 1255">6 in. Dia.</td> <td data-bbox="959 1228 1008 1255">677</td> <td data-bbox="1263 1228 1446 1255">N-30-4141-215</td> </tr> <tr> <td data-bbox="456 1266 561 1293">7 in. Dia.</td> <td data-bbox="959 1266 1008 1293">942</td> <td data-bbox="1263 1266 1446 1293">N-30-4141-216</td> </tr> </tbody> </table>	<u>Nominal</u>	<u>Max CFM</u>		3 in. Dia.	165	N-30-4141-212	4 in. Dia.	294	N-30-4141-213	5 in. Dia.	471	N-30-4141-214	6 in. Dia.	677	N-30-4141-215	7 in. Dia.	942	N-30-4141-216	
<u>Nominal</u>	<u>Max CFM</u>																			
3 in. Dia.	165	N-30-4141-212																		
4 in. Dia.	294	N-30-4141-213																		
5 in. Dia.	471	N-30-4141-214																		
6 in. Dia.	677	N-30-4141-215																		
7 in. Dia.	942	N-30-4141-216																		
	<p><u>Product Description:</u> NORFI ALU150/250 EXTRACTION TROLLEY MAXI - Standard Extraction trolley for extraction rails ALU150/250 with ball bearing nylon rollers and rubber shock absorber. Aluminum suction nozzle with stainless steel sliding plates ensures smooth movement and optimizes air flow. Powder-coated, steel profile frame with welded stiffening plates to ensure maximum stability. Integrated fall safety protection. Note: The air velocity in the exhaust hose should not exceed 59.1 ft./ s.</p> <table border="0"> <thead> <tr> <th data-bbox="456 1671 561 1698"><u>Nominal</u></th> <th data-bbox="927 1671 1040 1698"><u>Max CFM</u></th> <th data-bbox="1263 1713 1446 1740"></th> </tr> </thead> <tbody> <tr> <td data-bbox="456 1713 561 1740">8 in. Dia.</td> <td data-bbox="959 1713 1008 1740">1236</td> <td data-bbox="1263 1713 1446 1740">N-30-4240-200</td> </tr> </tbody> </table>	<u>Nominal</u>	<u>Max CFM</u>		8 in. Dia.	1236	N-30-4240-200													
<u>Nominal</u>	<u>Max CFM</u>																			
8 in. Dia.	1236	N-30-4240-200																		

**TECHNICAL
INFORMATION**

In the interest of continuing product improvement,
we reserve the right to change models,
specifications, and/or features without prejudice.

PROJECT: _____
LOCATION: _____
ARCHITECT: _____
ENGINEER: _____
CONTRACTOR: _____
DATE: _____ SALES ENGINEER: _____

NORFI ALU150/250 MAXI Extraction Trolley

ITEM	DESCRIPTION	ITEM NUMBER				
	<p><u>Product Description:</u> NORFI ALU150/250 EXTRACTION TROLLEY MAXI - Standard Extraction trolley for extraction rails ALU150/250 with ball bearing nylon rollers and rubber shock absorber. Aluminum suction nozzle with stainless steel sliding plates ensures smooth movement and optimizes air flow. Powder-coated, steel profile frame with welded stiffening plates to ensure maximum stability. Integrated automatic butterfly valve reduces air flow by 90% when the trolley is not in use. Integrated fall safety protection. Note: The air velocity in the exhaust hose should not exceed 59.1 ft./s.</p> <table border="0" data-bbox="475 1037 1060 1108"> <tr> <td style="text-align: center;"><u>Nominal</u></td> <td style="text-align: center;"><u>Max CFM</u></td> </tr> <tr> <td style="text-align: center;">8 in. Dia.</td> <td style="text-align: center;">1236</td> </tr> </table>	<u>Nominal</u>	<u>Max CFM</u>	8 in. Dia.	1236	N-30-4241-200
<u>Nominal</u>	<u>Max CFM</u>					
8 in. Dia.	1236					
	<p><u>Product Description:</u> NORFI ALU150/250 EXTRACTION TROLLEY MAXI - Standard Extraction trolley for extraction rails ALU150/250 with ball bearing nylon rollers and rubber shock absorber. Aluminum suction nozzle with stainless steel sliding plates ensures smooth movement and optimizes air flow. Powder-coated, steel profile frame with welded stiffening plates to ensure maximum stability. Integrated automatic butterfly valve reduces air flow by 90% when the trolley is not in use. Integrated fall safety protection. The trolley is equipped with mount for balancers N-39-154-431 and N-39-154-631. Note: The air velocity in the exhaust hose should not exceed 59.1 ft./s.</p> <table border="0" data-bbox="475 1593 1060 1667"> <tr> <td style="text-align: center;"><u>Nominal</u></td> <td style="text-align: center;"><u>Max CFM</u></td> </tr> <tr> <td style="text-align: center;">8 in. Dia.</td> <td style="text-align: center;">1236</td> </tr> </table>	<u>Nominal</u>	<u>Max CFM</u>	8 in. Dia.	1236	N-30-4241-215
<u>Nominal</u>	<u>Max CFM</u>					
8 in. Dia.	1236					

**TECHNICAL
INFORMATION**

In the interest of continuing product improvement, we reserve the right to change models, specifications, and/or features without prejudice.

PROJECT: _____
 LOCATION: _____
 ARCHITECT: _____
 ENGINEER: _____
 CONTRACTOR: _____
 DATE: _____ SALES ENGINEER: _____

NORFI ALU150/250 Hose Reel Trolley



DESCRIPTION	ITEM NUMBER
<p><u>Product Description:</u> NORFI Hose Reel Trolley 24" for manual movement of standard size reel, fits ALU150/250 aluminum rail. Equipped with trolley frame with running wheels, suction nozzle made of aluminum, stainless steel sliding plates, and connection hose to reel. Designate 4" or 6" reel.</p>	N-05-4760-610
<p><u>Product Description:</u> NORFI Hose Reel Trolley 32" for manual movement of wider hose reel, fits ALU150/250 aluminum rail. Equipped with trolley frame with running wheels, suction nozzle made of aluminum, stainless steel sliding plates, and connection hose to reel. Designate 4" or 6" reel.</p>	N-S12127-016
<p><u>Product Description:</u> NORFI Hose Reel Trolley 39" for manual movement of 8" hose reel, fits ALU150/250 aluminum rail. Equipped with trolley frame with running wheels, suction nozzle made of aluminum, stainless steel sliding plates, and connection hose to 8" reel.</p>	N-S13106-001



NORFI Products
Heavy Duty Balancers

TECHNICAL INFORMATION

In the interest of continuing product improvement, we reserve the right to change models, specifications, and/or features without prejudice.

PROJECT: _____
 LOCATION: _____
 ARCHITECT: _____
 ENGINEER: _____
 CONTRACTOR: _____
 DATE: _____ SALES ENGINEER: _____

www.monoxivent.com

info@monoxivent.com

309-794-1000

Page: N-14

NORFI Heavy Duty Balancer




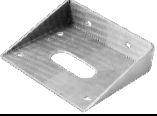




DESCRIPTION	WEIGHT CAPACITY	ITEM NUMBER
Product Description: The balance spring force is adjustable dependent on hose type and nozzle weight. Includes locking pawl. The balancer recovers hanging hoses to a safe working height and ensures that floors and walkways are kept trip free. Note: hose suspension required.	14-24 LB.	N-39-154-431
	19-33 LB.	N-39-154-631
	22-49 LB.	N-39-154-831
	30-57 LB.	N-39-154-833
	33-66LB.	N-39-154-835

TECHNICAL INFORMATION

In the interest of continuing product improvement, we reserve the right to change models, specifications, and/or features without prejudice.

PROJECT: _____
 LOCATION: _____
 ARCHITECT: _____
 ENGINEER: _____
 CONTRACTOR: _____
 DATE: _____ SALES ENGINEER: _____

NORFI Balancer Accessories

ITEM	DESCRIPTION	ITEM NUMBER
	NORFI BALANCER BRACKET, Balancer holder to fasten the balancer (light duty) on the Technorail-extraction trolley. Material – Aluminum	N-32-4155-017
	NORFI BALANCER BRACKET, Balancer Bracket to mount balancer (Heavy Duty) on the Technorail-extraction trolley. Material – Aluminum	N-34-155-018
	NORFI BALANCER BRACKET, Balancer holder to fasten the balancer on the ALU150/250-Extraction Trolley. Material – Steel	N-32-4153-112
	NORFI BALANCER BRACKET, Balancer holder to fasten the balancer on the ALU150/250-Extraction Trolley MAXI. Material – Steel	N-32-4153-113
	NORFI HOSE HOLDER, Hose suspension manufactured from plastic. Two piece hose clamp with slip-resistant foam insert and ring for attachment of balancer wire or similar. Material – Neoprene Color – Black <u>Nominal</u> 3 in. Dia. 4 in. Dia. 5 in. Dia. 6 in. Dia.	N-24-4155-080 N-24-4155-100 N-24-4155-125 N-24-4155-150
	NORFI HOSE HOLDER, Hose suspension manufactured from plastic. One piece hose clamp with slip-resistant foam insert with ring for attachment of balancer wire or similar. Material – Neoprene Color – Black <u>Nominal</u> 7 in. Dia. 8 in. Dia. 9 in. Dia. 10 in. Dia.	N-24-4155-175 N-24-4155-200 N-24-4155-250 N-24-4155-300

**TECHNICAL
INFORMATION**

In the interest of continuing product improvement,
we reserve the right to change models,
specifications, and/or features without prejudice.

PROJECT: _____
 LOCATION: _____
 ARCHITECT: _____
 ENGINEER: _____
 CONTRACTOR: _____
 DATE: _____ SALES ENGINEER: _____

ITEM	DESCRIPTION	ITEM NUMBER
	<p>NORFI MANUAL NOZZLE, Round design with a mechanical quick release clamp and safety coupling for single exhaust. Typical Applications: Commercial vehicles</p> <p>Material – Neoprene Color – Black</p> <p><u>Nominal</u> 5 in. Dia. 6 in. Dia.</p>	<p>N-24-4944-126 N-24-4944-151</p>
	<p>NORFI MANUAL NOZZLE, Oval design with a mechanical quick release clamp and safety coupling for single exhaust. Typical Applications: Commercial vehicles</p> <p>Material – Neoprene Color – Black</p> <p><u>Nominal</u> 3 in. Dia. 4 in. Dia. 5 in. Dia. 6 in. Dia.</p>	<p>N-24-4946-076 N-24-4946-101 N-24-4946-126 N-24-4946-151</p>
	<p>NORFI MANUAL NOZZLE ALUMINUM WITH SAFETY COUPLING, Round aluminum design with a mechanical quick release clamp and safety coupling for single exhaust. Typical Applications: Exhaust Extraction with higher temperature requirements.</p> <p>Material – Neoprene Color – Black</p> <p><u>Nominal</u> 4 in. Dia. 5 in. Dia. 6 in. Dia. 7 in. Dia. 8 in. Dia.</p>	<p>N-24-4947-101 N-24-4947-126 N-24-4947-151 N-24-4947-176 N-24-4947-201</p>

**TECHNICAL
INFORMATION**

In the interest of continuing product improvement, we reserve the right to change models, specifications, and/or features without prejudice.

PROJECT: _____
 LOCATION: _____
 ARCHITECT: _____
 ENGINEER: _____
 CONTRACTOR: _____
 DATE: _____ SALES ENGINEER: _____

ITEM	DESCRIPTION	ITEM NUMBER
	<p>NORFI NOZZLE MECHANICAL 9" x 7" WITH SAFETY DISCONNECTION, Light oval exhaust nozzle with safety disconnection made from impact-resistant fiberglass with debris trap and straight hose socket. Connection to vehicle exhaust pipe is made with a mechanical clamping device. Typical Applications: Utility and Special Vehicles</p> <p>Material – Polyester fiber Color – Black</p> <p><u>Nominal</u> 5 in. Dia. 6 in. Dia.</p>	<p>N-24-4948-126 N-24-4948-151</p>
	<p>NORFI MANUAL NOZZLE - Oval glass fiber reinforced polyester construction with mechanical quick-action clamp for single and dual exhaust - Typical application: Commercial vehicles</p> <p>Material – Neoprene Color – Black</p> <p><u>Nominal</u> 4 in. Dia. 5 in. Dia. 6 in. Dia.</p>	<p>N-25-4922-100 N-25-4922-125 N-25-4922-150</p>
	<p>NORFI MANUAL NOZZLE - Round aluminum design, with mechanical quick release clamp for single exhaust. Typical application: exhaust gas with higher temperature requirements</p> <p>Material – Aluminum</p> <p><u>Nominal</u> 3 in. Dia. 4 in. Dia. 5 in. Dia. 6 in. Dia. 7 in. Dia. 8 in. Dia. 10 in. Dia.</p>	<p>N-25-4932-075 N-25-4932-100 N-25-4932-125 N-25-4932-150 N-25-4932-175 N-24-4944-200 N-24-4944-250</p>

**TECHNICAL
INFORMATION**

In the interest of continuing product improvement, we reserve the right to change models, specifications, and/or features without prejudice.

PROJECT: _____
 LOCATION: _____
 ARCHITECT: _____
 ENGINEER: _____
 CONTRACTOR: _____
 DATE: _____ SALES ENGINEER: _____

ITEM	DESCRIPTION	ITEM NUMBER																		
	<p>NORFI MANUAL NOZZLE - 7" Dia. rubber nozzle with mechanical quick release clamp for single exhaust pipes. Typical application: Commercial Vehicles.</p> <p>Material – Neoprene Color – Black</p> <table border="0"> <thead> <tr> <th data-bbox="537 688 639 716"><u>Nominal</u></th> <th data-bbox="724 688 870 716"><u>Termination</u></th> <th data-bbox="1036 688 1109 716"><u>Notes</u></th> </tr> </thead> <tbody> <tr> <td data-bbox="537 732 639 760">4 in. Dia.</td> <td data-bbox="764 732 829 760">Tube</td> <td></td> </tr> <tr> <td data-bbox="537 772 639 800">5 in. Dia.</td> <td data-bbox="764 772 829 800">Tube</td> <td></td> </tr> <tr> <td data-bbox="537 812 639 840">6 in. Dia.</td> <td data-bbox="764 812 829 840">Tube</td> <td></td> </tr> <tr> <td data-bbox="537 852 639 879">6 in. Dia.</td> <td data-bbox="764 852 829 879">Quick</td> <td></td> </tr> <tr> <td data-bbox="537 892 639 919">6 in. Dia.</td> <td data-bbox="764 892 829 919">Tube</td> <td data-bbox="922 892 1219 919">Includes 18" Steel Sleeve</td> </tr> </tbody> </table>	<u>Nominal</u>	<u>Termination</u>	<u>Notes</u>	4 in. Dia.	Tube		5 in. Dia.	Tube		6 in. Dia.	Tube		6 in. Dia.	Quick		6 in. Dia.	Tube	Includes 18" Steel Sleeve	<p>N-25-4934-100 N-25-4934-125 N-25-4934-150 N-25-4934-151 N-25-4934-150S</p>
<u>Nominal</u>	<u>Termination</u>	<u>Notes</u>																		
4 in. Dia.	Tube																			
5 in. Dia.	Tube																			
6 in. Dia.	Tube																			
6 in. Dia.	Quick																			
6 in. Dia.	Tube	Includes 18" Steel Sleeve																		
	<p>NORFI PHENUMATIC CLAMPING NOZZLE 6" x 3" - Rubber oval nozzle with hand pump for single and dual exhaust. Universal clamp by pneumatic air cushion. Typical Application: Cars and vans.</p> <p>Material – Neoprene Angle - 45° Color – Black Intake-6"x3"</p> <p><u>Nominal</u></p> <p>3 in. Dia. 4 in. Dia. 4 in. Dia. 5 in. Dia. 6 in. Dia.</p>	<p>N-25-4937-075 N-25-4937-100 N-25-4937-103 N-25-4937-125 N-25-4937-150</p>																		
	<p>NORFI PHENUMATIC CLAMPING NOZZLE 6" x 3" - Rubber oval nozzle with a straight hose connector and hand pump for single and dual exhaust. Universal clamp by pneumatic air cushion. Typical Application: Cars and vans.</p> <p>Material – Neoprene Angle - 0° Color – Black Intake -6 x3"</p> <p><u>Nominal</u></p> <p>4 in. Dia.</p>	<p>N-25-4937-104</p>																		

**TECHNICAL
INFORMATION**

In the interest of continuing product improvement, we reserve the right to change models, specifications, and/or features without prejudice.

PROJECT: _____
 LOCATION: _____
 ARCHITECT: _____
 ENGINEER: _____
 CONTRACTOR: _____
 DATE: _____ SALES ENGINEER: _____

ITEM	DESCRIPTION	ITEM NUMBER
	<p>NORFI PHENUMATIC CLAMPING NOZZLE 8" x 4" - Rubber oval nozzle with hand pump for single and dual exhaust. Universal clamp by pneumatic air cushion. Typical Application: Cars and vans.</p> <p>Material – Neoprene Angle - 45° Color – Black Intake - 8" x 4"</p> <p><u>Nominal</u> 4 in. Dia. 5 in. Dia. 6 in. Dia.</p>	<p>N-25-4937-110 N-25-4937-126 N-25-4937-151</p>
	<p>NORFI PHENUMATIC CLAMPING NOZZLE 8" x 4" - Rubber oval nozzle with a straight hose connector and hand pump for single and dual exhaust. Universal clamp by pneumatic air cushion. Typical Application: Cars and vans.</p> <p>Material – Neoprene Angle - 0° Color – Black Intake - 8" x 4"</p> <p><u>Nominal</u> 4 in. Dia.</p>	<p>N-25-4937-113</p>
	<p>INNER TERMINAL NOZZLE 10" x 6" - Oval shaped aluminum body with telescopic detection element for use on vehicles with modern and special exhaust systems. An additional adjustment of 2" for optimal recording of the exhaust stream. Clamp provides for round and slightly oval exhaust pipes of 1" to 3" diameter</p> <p>Operation Temp - To 302°f Angle - 45° Nominal - 4 in. Dia. Intake - 10" x 6"</p> <p><u>Termination</u> Hose Quick Connect</p>	<p>N-25-4950-100 N-25-4950-103</p>

**TECHNICAL
INFORMATION**

In the interest of continuing product improvement,
we reserve the right to change models,
specifications, and/or features without prejudice.

PROJECT: _____
LOCATION: _____
ARCHITECT: _____
ENGINEER: _____
CONTRACTOR: _____
DATE: _____ SALES ENGINEER: _____

ITEM	DESCRIPTION	ITEM NUMBER
	<p>NORFI MANUAL NOZZLE AUTOMATIC 7 in. - Round rubber nozzle with quick-action clamping device, for single exhaust pipes. The disconnection takes place by means of a Bowden cable system. Typical application: Exhaust extraction system for commercial vehicles.</p> <p>Material – Neoprene Intake - 7" Color – Black <u>Nominal</u> 5 in. Dia. 6 in. Dia.</p>	<p>N-26-4934-156 N-26-4934-157</p>
	<p>NORFI MANUAL NOZZLE AUTOMATIC 6" x 3" - Oval rubber design with a mechanical quick release clamp for single and dual exhaust. Typical application: Exhaust extraction systems for cars and vans.</p> <p>Material – Neoprene Intake - 6"x3" Color – Black Angle - 60° <u>Nominal</u> <u>Termination</u> 3 in. Dia. Hose 4 in. Dia. Hose</p>	<p>N-26-4936-154 N-26-4936-155</p>
	<p>NORFI MANUAL NOZZLE AUTOMATIC 8" x 4" - Oval rubber design with a mechanical quick release clamp for single and dual exhaust. Typical application: Exhaust extraction systems for cars and vans.</p> <p>Material – Neoprene Intake - 8"x4" Color – Black Angle - 60° <u>Nominal</u> <u>Termination</u> 5 in. Dia. Hose 6 in. Dia. Hose</p>	<p>N-26-4936-156 N-26-4936-157</p>

**TECHNICAL
INFORMATION**

In the interest of continuing product improvement, we reserve the right to change models, specifications, and/or features without prejudice.



PROJECT: _____
 LOCATION: _____
 ARCHITECT: _____
 ENGINEER: _____
 CONTRACTOR: _____
 DATE: _____ SALES ENGINEER: _____

ITEM	DESCRIPTION	ITEM NUMBER
	<p>NORFI MANUAL NOZZLE ALUMINUM MECHANICAL AUTOMATIC - Round design, with quick release clamp, for single exhaust. Typical application: Exhaust extraction system for increased temperature requirements.</p> <p>Operation Temp - To 572°F Material – Aluminum Color – Silver</p> <p><u>Nominal</u> <u>Intake</u></p> <p>4 in. Dia. 4 in. Dia. 5 in. Dia. 5 in. Dia. 6 in. Dia. 6 in. Dia. 8 in. Dia. 7 in. Dia.</p>	<p>N-26-4947-100 N-26-4947-125 N-26-4947-150 N-26-4947-200</p>
	<p>NORFI MANUAL NOZZLE AUTOMATIC 9" x 7" - Oval fiberglass reinforced polyester construction with mechanical quick action clamp for single and dual exhaust. Typical application: Exhaust extraction system for commercial vehicles.</p> <p>Operation Temp - To 302°F Material – Polyester Fiber Color – Blue</p> <p><u>Nominal</u></p> <p>6 in. Dia.</p>	<p>N-26-4948-150</p>
	<p>NORFI MANUAL SELF-CLOSING NOZZLE 4" x 1" - For cars with single exhaust pipe. Self-closing rubber sleeve with hose connection. Suitable for straight tail pipes.</p> <p>Material – Neoprene Intake - 4" X 1" Color – Black</p> <p><u>Nominal</u></p> <p>4 in. Dia.</p>	<p>N-27-4938-100</p>

**TECHNICAL
INFORMATION**

In the interest of continuing product improvement, we reserve the right to change models, specifications, and/or features without prejudice.




PROJECT: _____
 LOCATION: _____
 ARCHITECT: _____
 ENGINEER: _____
 CONTRACTOR: _____
 DATE: _____ SALES ENGINEER: _____

ITEM	DESCRIPTION	ITEM NUMBER
	<p>NORFI PLUG CAR NOZZLE 2-1 in. - for cars with single exhaust pipe. Tapered with grommet connector made of galvanized steel. The Nozzle is easy to use and adapts to straight tail pipes of various diameters</p> <p>Material – Neoprene Intake - 2-1 in. Dia. Color – Black <u>Nominal</u> 2 in. Dia. (50mm) 2 in. Dia. (63mm) 3 in. Dia. (75mm)</p>	<p>N-27-4910-051 N-27-4910-063 N-27-4910-076</p>
	<p>NORFI PLUG CAR NOZZLE 3-2 in. - for cars with single exhaust pipe. Tapered with grommet connector made of galvanized steel. The Nozzle is easy to use and adapts to straight tail pipes of various diameters</p> <p>Material – Neoprene Intake - 3-2 in. Dia. Color – Black <u>Nominal</u> 2 in. Dia. (50mm) 2 in. Dia. (63mm)</p>	<p>N-27-4911-051 N-27-4911-063</p>
	<p>NORFI PLUG CAR NOZZLE 4-2 in. - for cars with single exhaust pipe. Tapered with grommet connector made of galvanized steel. The Nozzle is easy to use and adapts to straight tail pipes of various diameters</p> <p>Material – Neoprene Intake - 4-2 in. Dia. Color – Black <u>Nominal</u> 3 in. Dia. (75mm) 4 in. Dia. (100mm)</p>	<p>N-27-4930-076 N-27-4930-100</p>

**TECHNICAL
INFORMATION**

In the interest of continuing product improvement, we reserve the right to change models, specifications, and/or features without prejudice.

PROJECT: _____
 LOCATION: _____
 ARCHITECT: _____
 ENGINEER: _____
 CONTRACTOR: _____
 DATE: _____ SALES ENGINEER: _____

ITEM	DESCRIPTION	ITEM NUMBER
	<p>NORFI PLUG CAR NOZZLE 6-3 in. - for cars with single exhaust pipe. Tapered with grommet connector made of galvanized steel. The nozzle is easy to use and adapts to straight tail pipes of various diameters.</p> <p>Material – Neoprene Intake - 6-3 in. Dia. Color – Black <u>Nominal</u> 3 in. Dia. (75mm) 6 in. Dia. (100mm)</p>	<p>N-27-4931-076 N-27-4931-100</p>
	<p>NORFI PLUG CAR NOZZLE 6-4 in. - for cars with single exhaust pipe. Tapered with grommet connector made of galvanized steel. The nozzle is easy to use and adapts to straight tail pipes of various diameters.</p> <p>Material – Neoprene Intake - 6-4 in. Dia. Color – Black <u>Nominal</u> 4 in. Dia. (100mm) 6 in. Dia. (160mm)</p>	<p>N-27-4931-125 N-27-4931-150</p>
	<p>NORFI PLUG CAR NOZZLE 3-6 in. - for cars with single and dual exhaust pipe. Oval rubber grommet with a connection piece of galvanized steel. The nozzle is easy to use and adapts to straight tail pipes of various diameters.</p> <p>Material – Neoprene Intake - 3-6 in. Dia. Color – Black <u>Nominal</u> 4 in. Dia. (100mm)</p>	<p>N-27-4921-100</p>

**TECHNICAL
INFORMATION**

In the interest of continuing product improvement, we reserve the right to change models, specifications, and/or features without prejudice.

PROJECT: _____
 LOCATION: _____
 ARCHITECT: _____
 ENGINEER: _____
 CONTRACTOR: _____
 DATE: _____ SALES ENGINEER: _____

ITEM	DESCRIPTION	ITEM NUMBER												
	<p>NORFI MANUAL NOZZLE VW 6" x 3"- Custom designed for VW. Oval design with offset inward mechanical quick-action clamping device. For single and dual exhaust on VW vehicles. Typical application: Cars, vans.</p> <p>Material – Neoprene Angle - 60° Color – Black</p> <table border="0"> <tr> <td><u>Nominal</u></td> <td><u>Suction</u></td> <td><u>Connection</u></td> </tr> <tr> <td>3 in. Dia. (75mm)</td> <td>6" x 3"</td> <td>Tube</td> </tr> <tr> <td>4 in. Dia. (100mm)</td> <td>6" x 3"</td> <td>Tube</td> </tr> <tr> <td>4 in. Dia. (100mm)</td> <td>6" x 3"</td> <td>Quick</td> </tr> </table>	<u>Nominal</u>	<u>Suction</u>	<u>Connection</u>	3 in. Dia. (75mm)	6" x 3"	Tube	4 in. Dia. (100mm)	6" x 3"	Tube	4 in. Dia. (100mm)	6" x 3"	Quick	<p>N-28-4936-019 N-28-4936-0020 N-28-4936-0018</p>
<u>Nominal</u>	<u>Suction</u>	<u>Connection</u>												
3 in. Dia. (75mm)	6" x 3"	Tube												
4 in. Dia. (100mm)	6" x 3"	Tube												
4 in. Dia. (100mm)	6" x 3"	Quick												
	<p>NORFI MANUAL NOZZLE FOR MERCEDES AMG 9" x 4"- Custom designed for Mercedes Benz AMG. Exhaust nozzles for quick and easy mounting to the exhaust system. Aluminum exhaust adapter with lockable clamp and protective rubber coating to prevent damage to the vehicle body.</p> <p>Color – Black Material – Neoprene, aluminum</p> <table border="0"> <tr> <td><u>Nominal</u></td> <td><u>Connection</u></td> </tr> <tr> <td>4 in. Dia.</td> <td>Clamping Unit Left</td> </tr> <tr> <td>4 in. Dia.</td> <td>Clamping Unit Right</td> </tr> </table>	<u>Nominal</u>	<u>Connection</u>	4 in. Dia.	Clamping Unit Left	4 in. Dia.	Clamping Unit Right	<p>N-28-4972-089 N-28-4972-090</p>						
<u>Nominal</u>	<u>Connection</u>													
4 in. Dia.	Clamping Unit Left													
4 in. Dia.	Clamping Unit Right													
	<p>NORFI MANUAL NOZZLE FOR MERCEDES MAYBACH - Custom designed for Mercedes Benz Maybach. Round exhaust nozzles for quick and easy mounting to the exhaust system.</p> <p>Material – Neoprene, aluminum Intake - 4 in. Dia.</p> <p><u>Nominal</u> 4 in. Dia.</p>	<p>N-28-4972-141</p>												
	<p>NORFI WALL BRACKET - Fits all oval nozzles on top and inner pipe Exhaust Nozzles on the bottom.</p> <p>Material – Powder-coated steel</p>	<p>N-24-700-050</p>												

TECHNICAL INFORMATION

In the interest of continuing product improvement,
we reserve the right to change models,
specifications, and/or features without prejudice.




PROJECT: _____
 LOCATION: _____
 ARCHITECT: _____
 ENGINEER: _____
 CONTRACTOR: _____
 DATE: _____ SALES ENGINEER: _____

www.monoxivent.com

info@monoxivent.com

309-794-1000

Page: N-27

ITEM	DESCRIPTION	ITEM NUMBER										
	<p>NORFI EXHAUST FUNNEL ROUND - Exhaust funnel for straight single and double exhaust pipes. Cost Effective, height-adjustable exhaust funnel with a stable tripod plate. Simple and secure positioning over the exhaust pipe.</p> <p>Material – Galvanized steel Height Adjustment - 4 - 20 in. Height - 34 in.</p> <table style="width: 100%; border: none;"> <tr> <td style="width: 50%;"><u>Nominal</u></td> <td style="width: 50%;"><u>Suction</u></td> </tr> <tr> <td>4 in. Dia.</td> <td>8 in. Dia.</td> </tr> <tr> <td>5 in. Dia.</td> <td>8 in. Dia.</td> </tr> <tr> <td>6 in. Dia.</td> <td>10 in. Dia.</td> </tr> <tr> <td>8 in. Dia.</td> <td>10 in. Dia.</td> </tr> </table>	<u>Nominal</u>	<u>Suction</u>	4 in. Dia.	8 in. Dia.	5 in. Dia.	8 in. Dia.	6 in. Dia.	10 in. Dia.	8 in. Dia.	10 in. Dia.	<p>N-28-4110-100 N-28-4110-125 N-28-4110-150 N-28-4110-200</p>
<u>Nominal</u>	<u>Suction</u>											
4 in. Dia.	8 in. Dia.											
5 in. Dia.	8 in. Dia.											
6 in. Dia.	10 in. Dia.											
8 in. Dia.	10 in. Dia.											
	<p>NORFI EXHAUST FUNNEL STANDARD 12x18 in. - Exhaust funnel for straight single and double swept exhaust pipes. Height adjustable exhaust funnel with a stable tripod base plate. Simple and secure positioning over the exhaust. Designed for MOT stations.</p> <p>Material – Stainless Steel Height - 34 in. Height Adjustment - 5 - 6 in.</p> <p><u>Termination</u></p> <p>Hose 4 in. Dia. Hose 5 in. Dia. Hose 6 in. Dia. Manual Nozzle/Pneumatic Nozzle - 6x3 in. Manual Nozzle - aluminum-6 in.</p>	<p>N-28-4524-100 N-28-4524-124 N-28-4524-150 N-28-4524-153 N-28-4524-152</p>										
	<p>NORFI EXHAUST FUNNEL TRGS 8x9 in. - Exhaust funnel for straight single and double swept exhaust pipes. Extraction funnel with a light-handed height adjustment and stepless positioning of the recording element. Exhaust funnel with a cutout for exhaust probe, stable base with wheels and foot operated brake.</p> <p>Material – Galvanized steel Height Adjustment - 1 - 21 in. Intake - 8 x 9 in. Height - 40 in.</p> <p><u>Termination</u></p> <p>Hose 4 in. Dia. Hose 5 in. Dia. Hose 6 in. Dia. Hose 8 in. Dia.</p>	<p>N-28-4520-100 N-28-4520-125 N-28-4520-150 N-28-4520-200</p>										



NORFI Products
Exhaust Funnels

TECHNICAL INFORMATION

In the interest of continuing product improvement, we reserve the right to change models, specifications, and/or features without prejudice.



PROJECT: _____
 LOCATION: _____
 ARCHITECT: _____
 ENGINEER: _____
 CONTRACTOR: _____
 DATE: _____ SALES ENGINEER: _____

www.monoxivent.com

info@monoxivent.com

309-794-1000

Page: N-29

ITEM	DESCRIPTION	ITEM NUMBER
	<p>NORFI TRUCK EXHAUST FUNNEL 12x8 in. - Exhaust funnel for trucks with straight, side and downward outlets. Also suitable for EURO 5 and EURO 6 systems. Height adjustable and telescoping horizontal extraction nozzle with a stable and portable floor plate. Simple and secure positioning close to the exhaust pipe. Especially designed for problem exhausts, complete with edge protection. Rotatable nozzle.</p> <p>Material – Aluminum Height Adjustment - 9 - 22 in. Height - 24 in.</p> <p><u>Termination</u></p> <p>Hose - 5 in. Quick - 5 in. Hose - 6 in. Quick - 6 in. Manual nozzle - 7 in./ 6 in. Manual nozzle - 9 x 8 in.</p>	<p>N-28-4976-125 N-28-4976-126 N-28-4976-150 N-28-4976-151 N-28-4976-152 N-28-4976-153</p>
	<p>NORFI DOUBLE-FLOW EXHAUST FUNNEL 8x9 in. - Horizontal and vertically adjustable floor mounted twin funnel assembly with stable floor plate. Compatible with twin exhaust, hidden and downward swept designs. Exhaust funnels include cut away for sensing probes.</p> <p>Material – Galvanized Steel Height Adjustment - 7 - 22 in. Height - 8x9 in. Height - 40 in.</p> <p><u>Termination</u></p> <p>5 in. 6 in.</p>	<p>N-28-4973-032 N-28-4973-035</p>



5

Portable Fume ELIMINATOR

When selecting the Portable Fume ELIMINATOR:

- STEP 1 Determine if system is a Agricultural, Bus, or Truck Application
Determine if system shall include D-Series Fan and Additional Components (with or without hose reel storage),
or if a simple Rolling Base is required
- STEP 2 Select any additional accessories

Notes:

The Portable Fume ELIMINATOR was developed for use in shops where an overhead or underfloor exhaust system is not practical.

The ELIMINATOR is ideal for truck, bus, agricultural, and construction equipment applications. The ELIMINATOR is a compact, self-contained portable exhaust system.

A variety of accessories (Step 2) are available to make the ELIMINATOR a highly versatile piece of exhaust equipment.

The ELIMINATOR also is offered with a hose reel/cart configuration.



Portable Vertical Stack Cane
Series: PVSC

TECHNICAL INFORMATION

In the interest of continuing product improvement,
we reserve the right to change models,
specifications, and/or features without prejudice.

PROJECT: _____
LOCATION: _____
ARCHITECT: _____
ENGINEER: _____
CONTRACTOR: _____
DATE: _____ SALES ENGINEER: _____

www.monoxivent.com

info@monoxivent.com

309-794-1000

Page: PVSC-1



OVERVIEW

The Portable Vertical Stack Cane (PVSC) has been designed to allow for easy positioning of the capture nozzle to the end of many styles of vertical stacks. The PVSC is built on a rolling base and consists of two galvanized tubes. The upper tube telescopes inside the lower tube assembly. Thus, allowing the nozzle to be positioned right at the vertical stack discharge point. The PVSC is used in place of standard stack canes and does not require the technician to climb on the vehicle to place a nozzle over the stack. The PVSC does not require any type of direct contact or connection between the stack and the PVSC's nozzle. This differs from the standard cane and stack adapters, which require direct connection.

FUNCTION: The PVSC cane is to roll to the vehicle and once it is in position, the foot lock is engaged. The telescopic positioner should then be loosened and the upper tube section should be raised until the nozzle mouth is in direct line with the stack discharge. The positioner lock is then tightened. The PVSC cane hose must then be connected to the existing or new vehicle extraction hose.

MATERIAL: The base is constructed of heavy gauge plate steel with (4) swivel wheels. The foot lock is provided on the base. The lower tube assembly is welded to the base plate and is 2" in diameter. A large threaded stud is welded to the lower tube and is supplied with a mating threaded shaft with a "T" handle for easy tightening and loosening of the upper tube in the lower tube. The upper tube slides freely inside the lower tube. The upper tube has a 20-gauge stainless steel nozzle attached to the top. The nozzle has a 90-degree elbow attached to the nozzle end. The nozzle end and elbow are 6" diameter and the nozzle mouth is 8" diameter (other diameters are available). 5' of 6" high temp hose is attached to the elbow for connection to the extraction system.

PORTABLE FUME
ELIMINATOR

**TECHNICAL
INFORMATION**

In the interest of continuing product improvement,
we reserve the right to change models,
specifications, and/or features without prejudice.

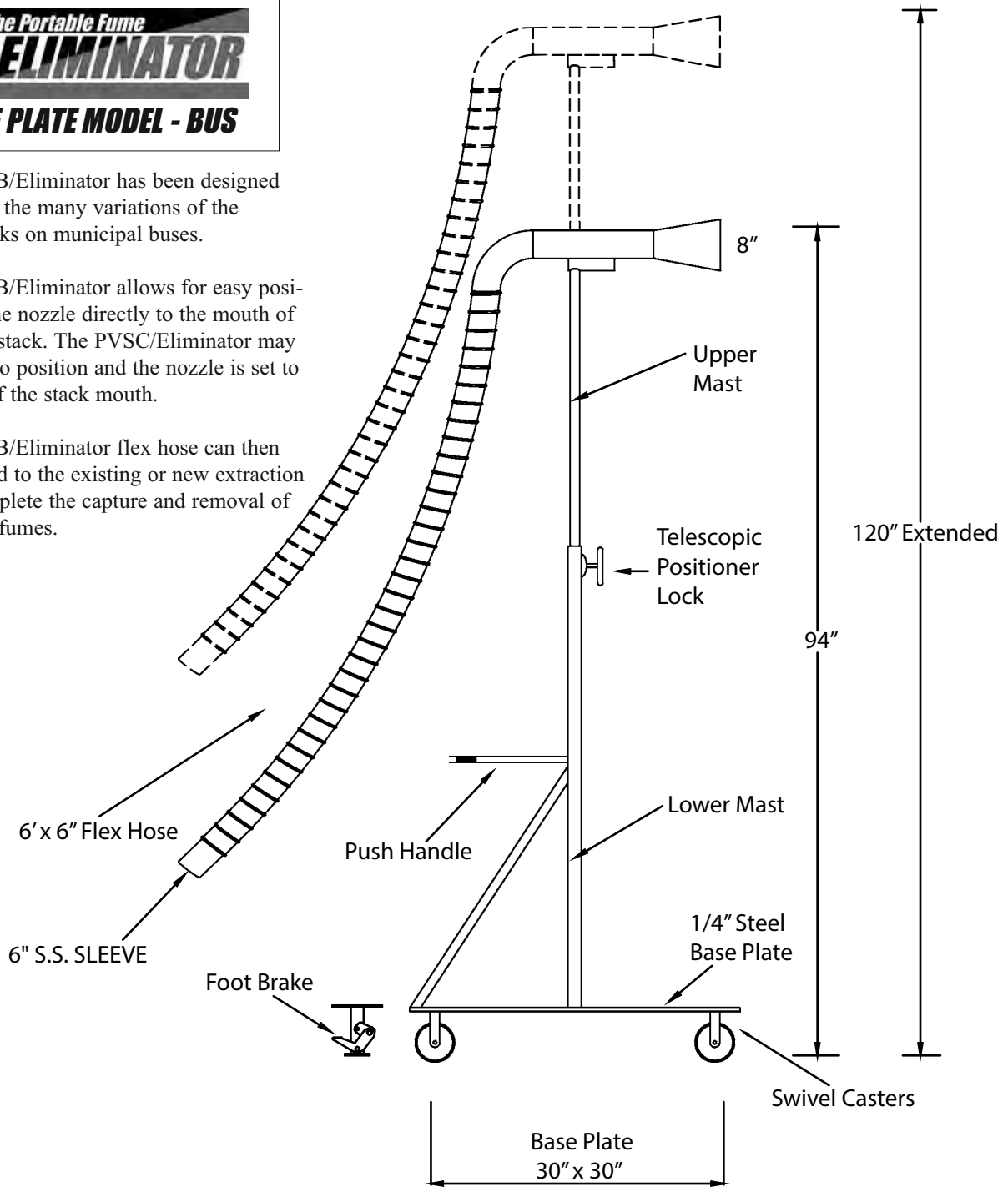
PROJECT: _____
 LOCATION: _____
 ARCHITECT: _____
 ENGINEER: _____
 CONTRACTOR: _____
 DATE: _____ SALES ENGINEER: _____



The PVSC-B/Eliminator has been designed for use with the many variations of the exhaust stacks on municipal buses.

The PVSC-B/Eliminator allows for easy positioning of the nozzle directly to the mouth of the vertical stack. The PVSC/Eliminator may be rolled into position and the nozzle is set to the height of the stack mouth.

The PVSC-B/Eliminator flex hose can then be connected to the existing or new extraction hose to complete the capture and removal of the exhaust fumes.



Provided With: _____ Diameter _____ Feet/Hose _____ Series Hose



Portable Vertical Stack Cane
Series: PVSC-T - Eliminator
(Truck model without fan)

TECHNICAL INFORMATION

In the interest of continuing product improvement, we reserve the right to change models, specifications, and/or features without prejudice.

PROJECT: _____
LOCATION: _____
ARCHITECT: _____
ENGINEER: _____
CONTRACTOR: _____
DATE: _____ SALES ENGINEER: _____

www.monoxivent.com

info@monoxivent.com

309-794-1000

Page: PVSC-3

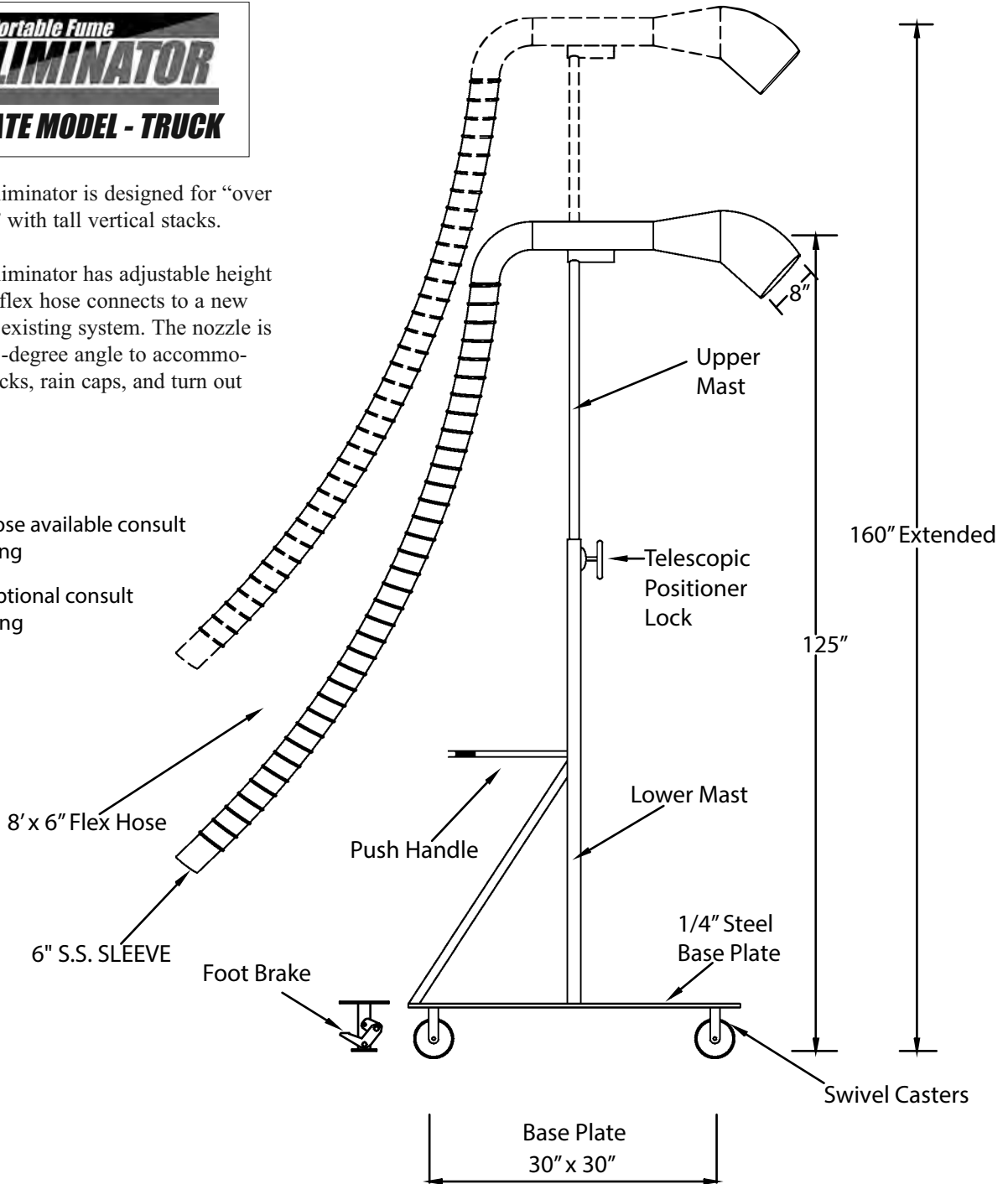


The PVSC-T/Eliminator is designed for "over the road trucks" with tall vertical stacks.

The PVSC-T/Eliminator has adjustable height control and the flex hose connects to a new system or to an existing system. The nozzle is supplied in a 45-degree angle to accommodate straight stacks, rain caps, and turn out stacks.

* Optional 8" hose available consult factory for pricing

* 7000 Series optional consult factory for pricing



Provided With: _____ Diameter _____ Feet/Hose _____ Series Hose

PORTABLE FUME ELIMINATOR

**TECHNICAL
INFORMATION**

In the interest of continuing product improvement,
we reserve the right to change models,
specifications, and/or features without prejudice.

PROJECT: _____
 LOCATION: _____
 ARCHITECT: _____
 ENGINEER: _____
 CONTRACTOR: _____
 DATE: _____ SALES ENGINEER: _____

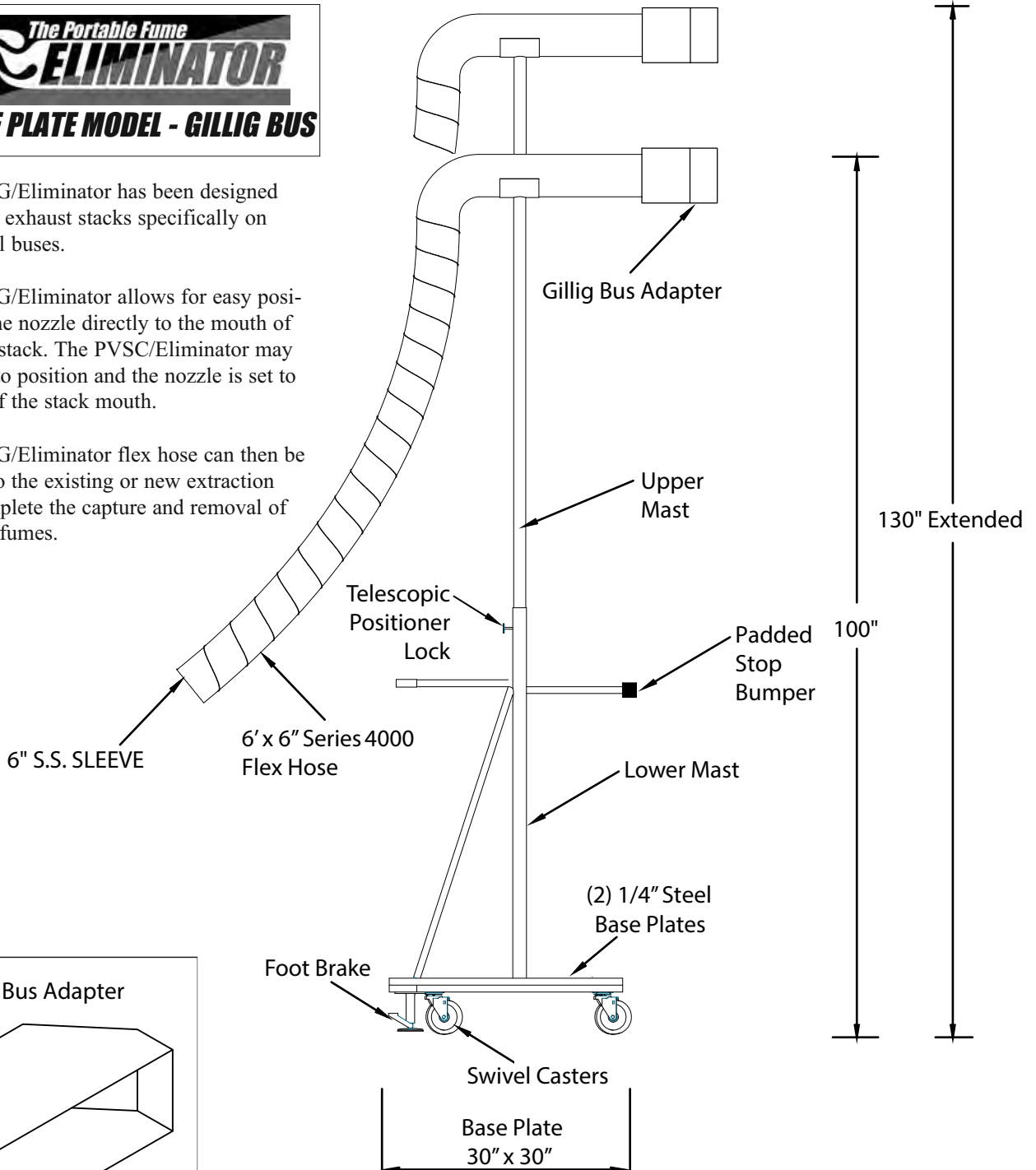


The PVSC-G/Eliminator has been designed for use with exhaust stacks specifically on Gillig model buses.

The PVSC-G/Eliminator allows for easy positioning of the nozzle directly to the mouth of the vertical stack. The PVSC/Eliminator may be rolled into position and the nozzle is set to the height of the stack mouth.

The PVSC-G/Eliminator flex hose can then be connected to the existing or new extraction hose to complete the capture and removal of the exhaust fumes.

PORTABLE FUME
ELIMINATOR





Portable Vertical Stack Cane Fan Models - Specification

TECHNICAL INFORMATION

In the interest of continuing product improvement, we reserve the right to change models, specifications, and/or features without prejudice.

PROJECT: _____
 LOCATION: _____
 ARCHITECT: _____
 ENGINEER: _____
 CONTRACTOR: _____
 DATE: _____ SALES ENGINEER: _____

www.monoxivent.com

info@monoxivent.com

309-794-1000

Page: PVSC-5



PORTABLE VERTICAL STACK CANE - ELIMINATOR PVSC-B-MTR/PVSC-T-MTR/PVSC-A-MTR/PVSC-G-MTR

PVSC-B-MTR/PVSC-T-MTR/PVSC-A-MTR/PVSC-G-MTR SPECIFICATIONS

The PVSC-MTR models have been designed to be a stand alone vehicle exhaust extraction system for both vertical stacks and under chassis exhaust. The PVSC-B-MTR design lends itself for use with municipal buses having top stacks, mid-body exhaust and under chassis exhaust. The PVSC-T-MTR design lends itself for use with over the road trucks, construction equipment, and other vehicles having a wide range of both vertical and under chassis exhaust. The PVSC-A-MTR is designed with Ag equipment in mind where an extended reach is required. The PVSC-G-MTR incorporates a intake adaptor specifically for Gillig model buses.

The PVSC-MTR is supplied with a unique telescoping adjustable mast. This mast allows for quick and easy height adjust-ment of the capture nozzle over any type of straight cut, angle cut stack, or a stack with a rain cap. The unique design of the adjustable mast offers several strong advantages:

1. Finger tip height control
2. Easily maneuverable - small rolling base
3. No climbing on vehicles required - reducing potential safety concerns
4. No direct contact with stacks - will not damage expensive chrome stacks
5. Extremely versatile - works on all vertical stack style ends

The PVSC-MTR main mast hose (O), has a female and male quick release coupler (K & L). The mast hose will quickly and easily separate, allowing the lower section of the hose to be connected to an under chassis exhaust. The main steel base plate (S) is supplied with a short storage mast (R) for the placement of an extra clamping nozzle. This nozzle can be quickly and easily connected to the hose, completing the connection to an under chassis exhaust pipe.

The discharge hose (B) supplied on the PVSC-MTR is of a unique high compression design, the 25' x 6" hose will compress to a length of 4 feet. The PVSC-MTR is supplied with a hose storage mast (A) so the discharge hose can be quickly and easily accessed, as well as stored. The discharge hose is supplied with a quick connect/release fitting for the connection to the fan discharge housing.

PORTABLE FUME
ELIMINATOR

**TECHNICAL
INFORMATION**

In the interest of continuing product improvement,
we reserve the right to change models,
specifications, and/or features without prejudice.

PROJECT: _____
LOCATION: _____
ARCHITECT: _____
ENGINEER: _____
CONTRACTOR: _____
DATE: _____ SALES ENGINEER: _____

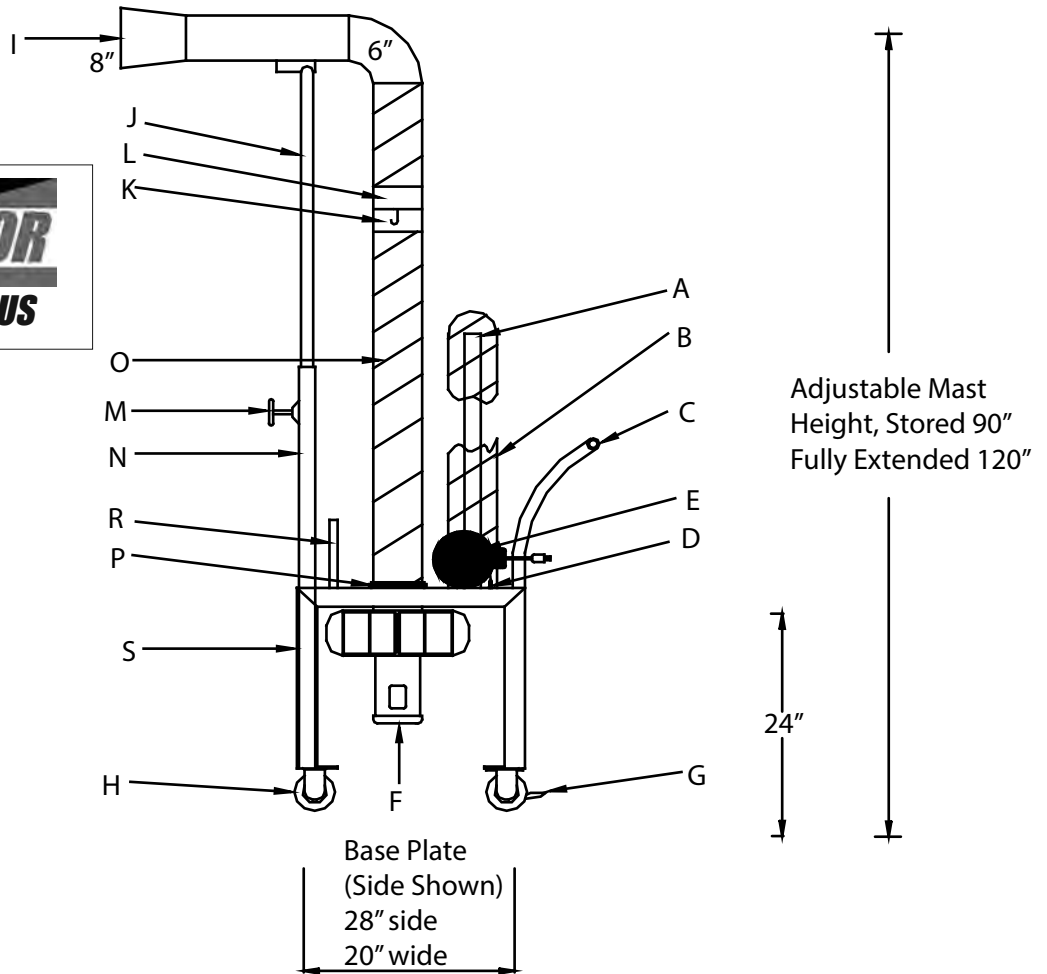
www.monoxivent.com

info@monoxivent.com

309-794-1000

Page: PVSC-6

PORTABLE FUME
ELIMINATOR



A - Discharge Hose Storage Mast; B - 25' x 6" High Compression Discharge Hose (Series 7300); C - Push Handle; D - Fan On/Off Heavy Duty Switch; E - 45' Power Cord with Plug. Note, power cord stored on a lock and latch spring retractor assembly; F - TEFC 1.5 HP, 1 Phase, 3450 RPM Blower. Silumin (Silicon Aluminum Alloy) Wheel and Housing.; G - Foot Brake; H - 5" Solid Hard Rubber Wheels. Two Fixed and Two Swivel.; I - Vertical Stack Nozzle, with 8" Mouth Opening.; J - Upper Telescoping Nozzle Mast - 1 7/8" Galvanized Tube.; K - Female Quick Release Coupler, for Mast Hose.

L - Male Quick Release Coupler, for Mast Hose; M - Upper Mast Height Adjustment, Locking Mechanism; N - Lower Telescoping Nozzle Mast, 2" Galvanized Tube; O - 6" High Compression Inlet Hose, 600-Degree, Series 7600.; P - 180-Degree Blower, Swivel Fitting - Allows the Fan Discharge to Rotate in the Direction that the Discharge Hose Must Exit; R - Nozzle Storage Mast (For Storage of the Optional 8006-VG Under Chassis Nozzle); S - 3/16" Steel Base Plate Assembly. Laser Cut and Machine Bent. Powder Coat Finish.

Blower Performance:

Model	HP	1"	2"	3"	4"	5"	6"	7"
D15	1.5	965	910	840	780	675	550	330

* This blower is constructed of Silumin (Silicon Aluminum Alloy) housing and wheel. The wheel is of a radial type.

Standard Motors are Baldor with TEFC Enclosure. Standard Motors are UL UR Recognized as a component and CSA Certified in Canada.

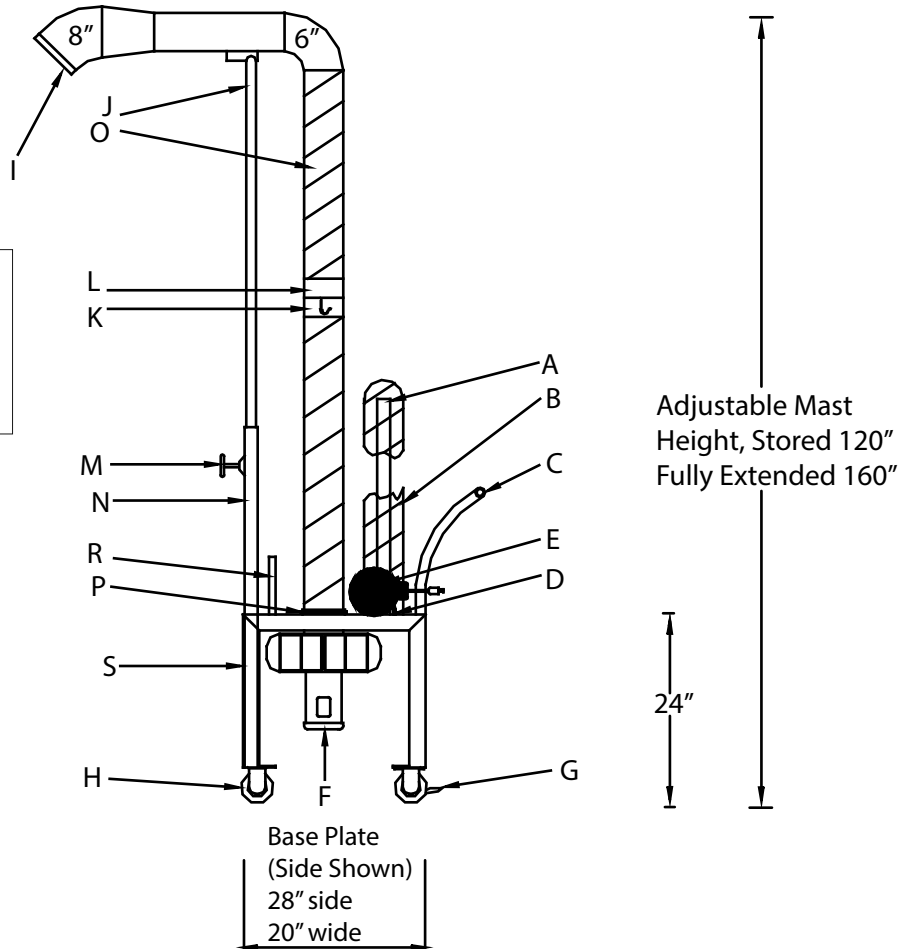
The D Series fans are not UL Listed or CSA Certified as an assembly. Motor specifications subject to change without notice.

Approx. Wt.- 320 lbs.

**TECHNICAL
INFORMATION**

In the interest of continuing product improvement,
we reserve the right to change models,
specifications, and/or features without prejudice.

PROJECT: _____
LOCATION: _____
ARCHITECT: _____
ENGINEER: _____
CONTRACTOR: _____
DATE: _____ SALES ENGINEER: _____



PORTABLE FUME
ELIMINATOR

A - Discharge Hose Storage Mast; B - 25' x 6" High Compression Discharge Hose (Series 7300); C - Push Handle; D - Fan On/Off Heavy Duty Switch; E - 45' Power Cord with Plug. Note, power cord stored on a lock and latch spring retractor assembly; F - TEFC 1.5 HP, 1 Phase, 3450 RPM Blower. Silumin (Silicon Aluminum Alloy) Wheel and Housing.; G - Foot Brake; H - 5" Solid Hard Rubber Wheels. Two Fixed and Two Swivel.; I - Vertical Stack Nozzle, with 8" Mouth Opening.; J - Upper Telescoping Nozzle Mast - 1 7/8" Galvanized Tube.; K - Female Quick Release Coupler, for Mast Hose.

L - Male Quick Release Coupler, for Mast Hose; M - Upper Mast Height Adjustment, Locking Mechanism; N - Lower Telescoping Nozzle Mast, 2" Galvanized Tube; O - 6" High Compression Inlet Hose, 600-Degree, Series 7600.; P - 180-Degree Blower, Swivel Fitting - Allows the Fan Discharge to Rotate in the Direction that the Discharge Hose Must Exit; R - Nozzle Storage Mast (For Storage of the Optional 8006-VG Under Chassis Nozzle); S - 3/16" Steel Base Plate Assembly. Laser Cut and Machine Bent. Powder Coat Finish.

Blower Performance:

Model	HP	1"	2"	3"	4"	5"	6"	7"
D15	1.5	965	910	840	780	675	550	330

* This blower is constructed of Silumin (Silicon Aluminum Alloy) housing and wheel. The wheel is of a radial type.

Standard Motors are Baldor with TEFC Enclosure. Standard Motors are UL UR Recognized as a component and CSA Certified in Canada.

The D Series fans are not UL Listed or CSA Certified as an assembly. Motor specifications subject to change without notice.

Approx. Wt.- 320 lbs.

**TECHNICAL
INFORMATION**

In the interest of continuing product improvement,
we reserve the right to change models,
specifications, and/or features without prejudice.

PROJECT: _____
LOCATION: _____
ARCHITECT: _____
ENGINEER: _____
CONTRACTOR: _____
DATE: _____ SALES ENGINEER: _____

www.monoxivent.com

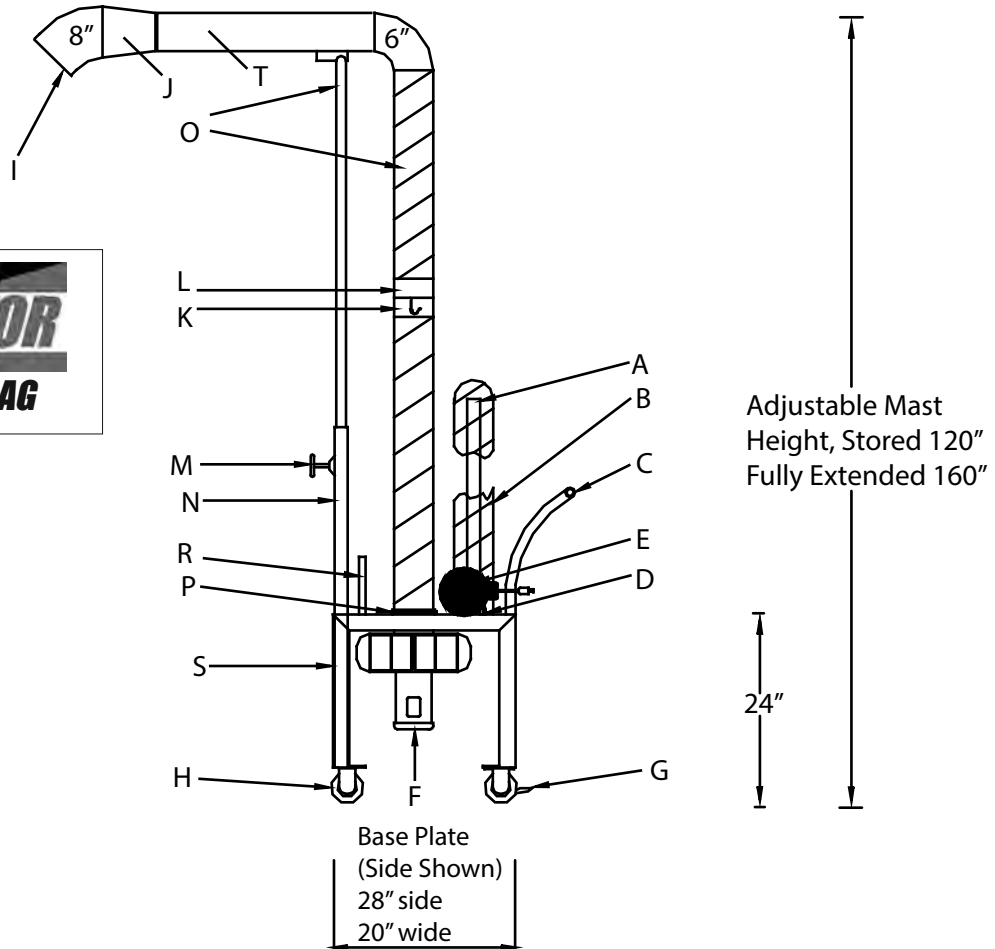
info@monoxivent.com

309-794-1000

Page: PVSC-8



ELIMINATOR
PORTABLE FUME



A - Discharge Hose Storage Mast; B - 25' x 6" High Compression Discharge Hose (Series 7300); C - Push Handle; D - Fan On/Off Heavy Duty Switch; E - 45' Power Cord with Plug. Note, power cord stored on a lock and latch spring retractor assembly; F - TEFC 1.5 HP, 1 Phase, 3450 RPM Blower. Silumin (Silicon Aluminum Alloy) Wheel and Housing.; G - Foot Brake; H - 5" Solid Hard Rubber Wheels. Two Fixed and Two Swivel.; I - Vertical Stack Nozzle, with 8" Mouth Opening.; J - Upper Telescoping Nozzle Mast - 1 7/8" Galvanized Tube.; K - Female Quick Release Coupler, for Mast Hose.

L - Male Quick Release Coupler, for Mast Hose; M - Upper Mast Height Adjustment, Locking Mechanism; N - Lower Telescoping Nozzle Mast, 2" Galvanized Tube; O - 6" High Compression Inlet Hose, 600-Degree, Series 7600.; P - 180-Degree Blower, Swivel Fitting - Allows the Fan Discharge to Rotate in the Direction that the Discharge Hose Must Exit; R - Nozzle Storage Mast (For Storage of the Optional 8006-VG Under Chassis Nozzle); S - 3/16" Steel Base Plate Assembly. Laser Cut and Machine Bent. Powder Coat Finish. T - Extended duct for longer reach.

Blower Performance:

Model	HP	1"	2"	3"	4"	5"	6"	7"
D15	1.5	965	910	840	780	675	550	330

* This blower is constructed of Silumin (Silicon Aluminum Alloy) housing and wheel. The wheel is of a radial type.

Standard Motors are Baldor with TEFC Enclosure. Standard Motors are UL UR Recognized as a component and CSA Certified in Canada.

The D Series fans are not UL Listed or CSA Certified as an assembly. Motor specifications subject to change without notice.

Approx. Wt.- 320 lbs.

**TECHNICAL
INFORMATION**

In the interest of continuing product improvement,
we reserve the right to change models,
specifications, and/or features without prejudice.

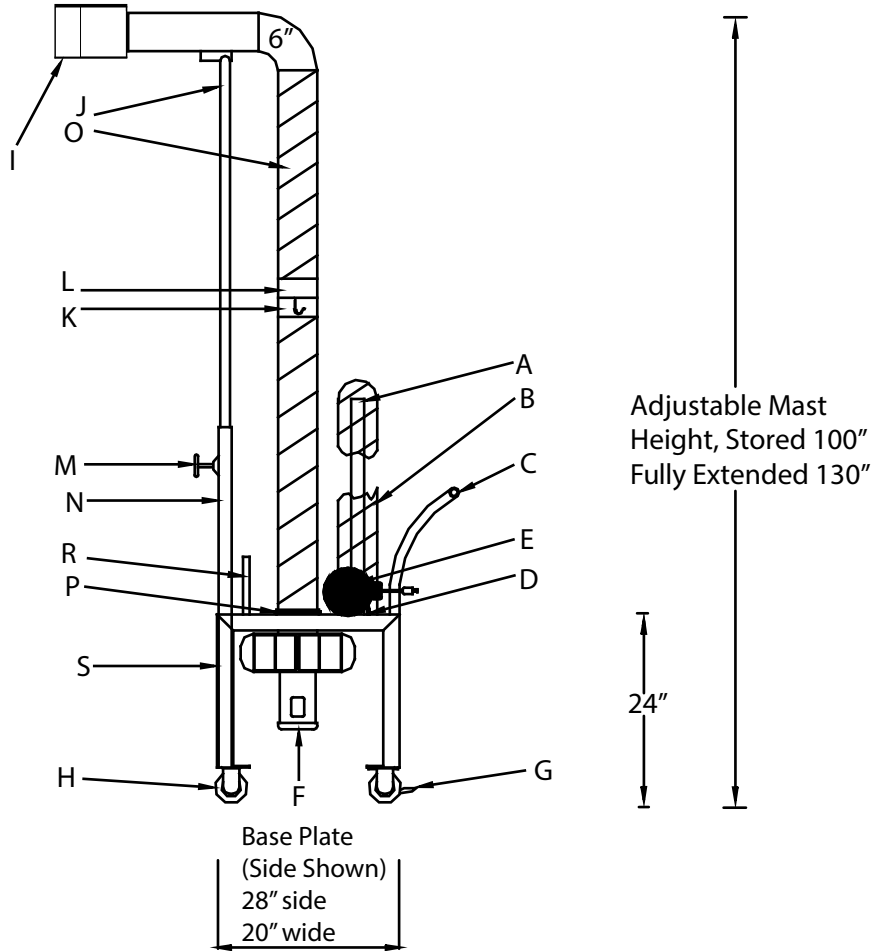
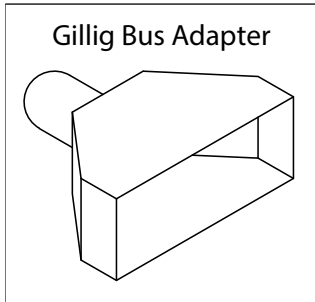
PROJECT: _____
LOCATION: _____
ARCHITECT: _____
ENGINEER: _____
CONTRACTOR: _____
DATE: _____ SALES ENGINEER: _____

www.monoxivent.com

info@monoxivent.com

309-794-1000

Page: PVSC-9



PORTABLE FUME
ELIMINATOR

A - Discharge Hose Storage Mast; B - 25' x 6" High Compression Discharge Hose (Series 7300); C - Push Handle; D - Fan On/Off Heavy Duty Switch; E - 45' Power Cord with Plug. Note, power cord stored on a lock and latch spring retractor assembly; F - TEFC 1.5 HP, 1 Phase, 3450 RPM Blower. Silumin (Silicon Aluminum Alloy) Wheel and Housing.; G - Foot Brake; H - 5" Solid Hard Rubber Wheels. Two Fixed and Two Swivel.; I - Gillig Bus Adapter; J - Upper Telescoping Nozzle Mast - 1 7/8" Galvanized Tube.; K - Female Quick Release Coupler, for Mast Hose.

L - Male Quick Release Coupler, for Mast Hose; M - Upper Mast Height Adjustment, Locking Mechanism; N - Lower Telescoping Nozzle Mast, 2" Galvanized Tube; O - 6" High Compression Inlet Hose, 600-Degree, Series 7600.; P - 180-Degree Blower, Swivel Fitting - Allows the Fan Discharge to Rotate in the Direction that the Discharge Hose Must Exit; R - Nozzle Storage Mast (For Storage of the Optional 8006-VG Under Chassis Nozzle); S - 3/16" Steel Base Plate Assembly. Laser Cut and Machine Bent. Powder Coat Finish.

Blower Performance:

Model	HP	1"	2"	3"	4"	5"	6"	7"
D15	1.5	965	910	840	780	675	550	330

* This blower is constructed of Silumin (Silicon Aluminum Alloy) housing and wheel. The wheel is of a radial type.

Standard Motors are Baldor with TEFC Enclosure. Standard Motors are UL UR Recognized as a component and CSA Certified in Canada.

The D Series fans are not UL Listed or CSA Certified as an assembly. Motor specifications subject to change without notice.

Approx. Wt.- 320 lbs.



Portable Vertical Stack Cane
Fan Hose Reel Model -
Specification

TECHNICAL INFORMATION

In the interest of continuing product improvement,
we reserve the right to change models,
specifications, and/or features without prejudice.

PROJECT: _____
LOCATION: _____
ARCHITECT: _____
ENGINEER: _____
CONTRACTOR: _____
DATE: _____ SALES ENGINEER: _____

www.monoxivent.com

info@monoxivent.com

309-794-1000

Page: PVSC-10



PORTABLE VERTICAL STACK CANE - ELIMINATOR PVSC-B-MTR-HR/PVSC-T-MTR-HR/PVSC-A-MTR-HR

PVSC-B-MTR-HR/PVSC-T-MTR-HR/PVSC-A-MTR-HR SPECIFICATIONS

The PVSC-B-MTR-HR, PVSC-T-MTR-HR and PVSC-A-MTR-HR have been designed to be a stand alone vehicle exhaust extraction system for both vertical stacks and under chassis exhaust. The PVSC-B-MTR-HR design lends itself for use with municipal buses having top stacks, mid-body exhaust and under chassis exhaust. The PVSC-T-MTR design lends itself for use with over the road trucks, construction equipment, and other vehicles having a wide range of both vertical and under chassis exhaust. The PVSC-A-MTR-HR is designed with Ag equipment in mind where an extended reach is required.

The PVSC-MTR-HR is supplied with a unique telescoping adjustable mast. This mast allows for quick and easy height adjust-ment of the capture nozzle over any type of straight cut, angle cut stack, or a stack with a rain cap. The unique design of the adjustable mast offers several strong advantages:

1. Hose Reel Discharge Storage
2. Easily maneuverable - small rolling base
3. No climbing on vehicles required - reducing potential safety concerns
4. No direct contact with stacks - will not damage expensive chrome stacks
5. Extremely versatile - works on all vertical stack style ends

The PVSC-MTR main mast hose (12), has a female and male quick release coupler (20). The mast hose will quickly and easily separate, allowing the lower section of the hose to be connected to an under chassis exhaust. The main steel base plate (8) can be supplied with a short storage mast for the placement of an extra clamping nozzle. This nozzle can be quickly and easily connected to the hose, completing the connection to an under chassis exhaust pipe.

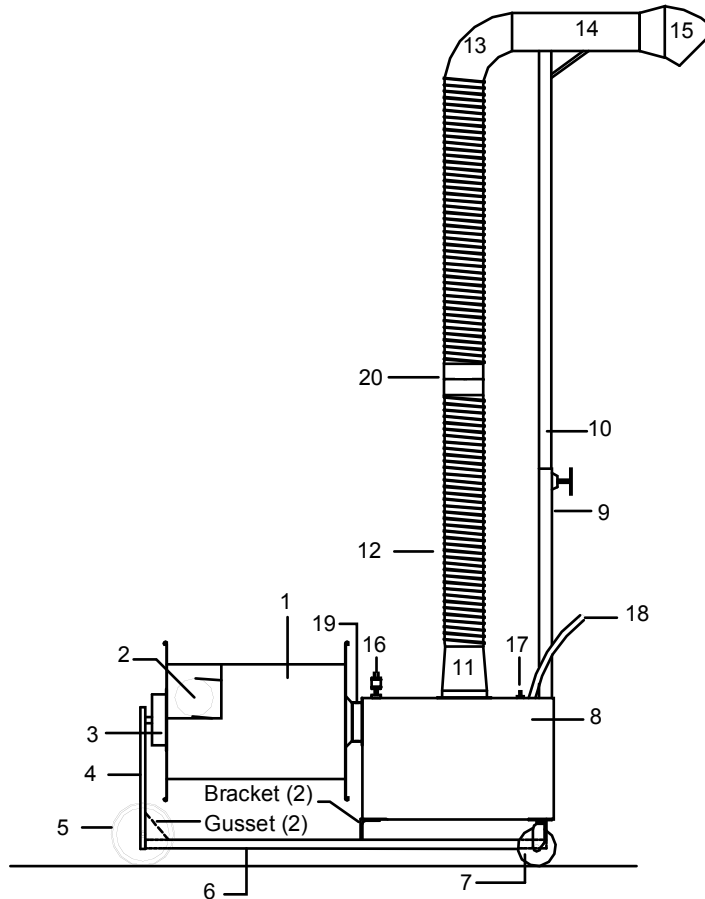
The discharge hose (2) supplied on the PVSC-MTR-HR is of a unique high compression design, the 25' x 6" hose will be stored on a spring operated hose reel (1).

**TECHNICAL
INFORMATION**

In the interest of continuing product improvement,
we reserve the right to change models,
specifications, and/or features without prejudice.

PROJECT: _____
 LOCATION: _____
 ARCHITECT: _____
 ENGINEER: _____
 CONTRACTOR: _____
 DATE: _____ SALES ENGINEER: _____

- 1 - Hose reel storage drum, w/30"x6" - Series 5000 Hose (other hose types available, contact factory)
- 2 - 6" Discharge hose connection with internal hose connecting to inlet bearing (19)
- 3 - Spring cassette
- 4 - "A" frame
- 5 - 10" hard rubber wheel on 1/2" axle
- 6 - 10 ga connecting base plate
- 7 - Swivel caster with 5" hard rubber wheels
- 8 - Eliminator base with two side access doors
- 9 - Lower mast with locking "T" handle
- 10 - Upper mast - stored height 90", fully extended height 120"
- 11 - Fan inlet - Fan CFM Motor - 1.5 HP, 1 ph, 115 Volt, 3450 RPM
- 12 - Series 7600 high compression hose, 600 degrees
- 13 - 6", 1.5 center line, 20 ga elbow
- 14 - 20 ga rigid duct
- 15 - 8" transition and 45 degree nozzle
- 16 - Retractable cord reel mounted inside of cabinet includes cord & plug
- 17 - Fan on/off switch
- 18 - "T" handle
- 19 - Inlet bearing
- 20 - Quick connect coupler.

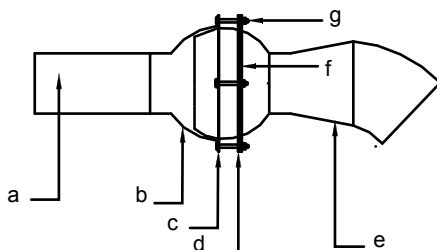


Allows for hose disconnect from mast to allow for under chassis use.

© 2006, Monoxivent All Rights Reserved
 Monoxivent - 1306 Mill Street, Rock Island, IL 61201
 www.monoxivent.com - Duplication, reproduction or redistribution in any way of this document or its contents without the expressed written approval of Monoxivent is strictly prohibited by law.



Optional Swivel Joint With Nozzle
With Adjustable Tension Ring



- a. Rigid duct
- b. Ball joint
- c. Ball joint flange
- d. Teflon friction ring to 500 degrees.
- e. 6" to 8" transition with 45 degree elbow
- f. 18 ga flange
- g. Tension bolts

Standard Motors are Baldor with TEFC Enclosure. Standard Motors are UL UR Recognized as a component and CSA Certified in Canada.

The D Series fans are not UL Listed or CSA Certified as an assembly.

Motor specifications subject to change without notice.

The construction is Silumin (Silicon Aluminum Alloy) for the housing and the wheel.

Approx. Wt.- 520 lbs.

Blower Performance:

Model	HP	1"	2"	3"	4"	5"	6"	7"
D15	1.5	965	910	840	780	675	550	330

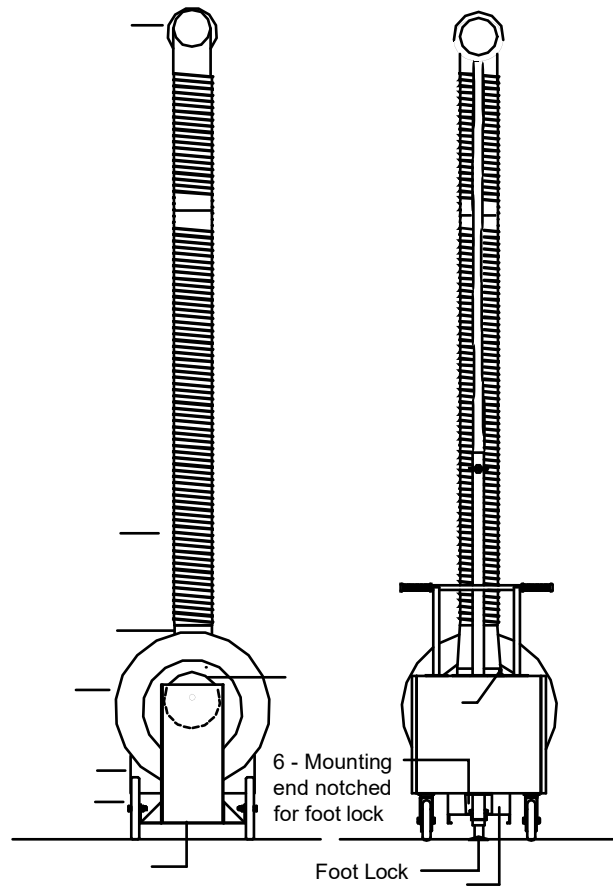
**TECHNICAL
INFORMATION**

In the interest of continuing product improvement,
we reserve the right to change models,
specifications, and/or features without prejudice.

PROJECT: _____
 LOCATION: _____
 ARCHITECT: _____
 ENGINEER: _____
 CONTRACTOR: _____
 DATE: _____ SALES ENGINEER: _____



- 1 - Hose reel storage drum, w/30"x6" - Series 5000 Hose (other hose types available, contact factory)
- 2 - 6" Discharge hose connection with internal hose connecting to inlet bearing
- 3 - Spring cassette
- 4 - "A" frame
- 5 - 10" hard rubber wheel on 1/2" axle
- 6 - 10 ga connecting base plate
- 7 - Swivel caster with 5" hard rubber wheels
- 8 - Eliminator base with two side access doors
- 9 - Lower mast with locking "T" handle
- 10 - Upper mast - stored height 90", fully extended height 120"
- 11 - Fan inlet - Fan CFM Motor - 1.5 HP, 1 ph, 115 Volt, 3450 RPM
- 12 - Series 7600 high compression hose, 600 degrees
- 13 - 6", 1.5 center line, 20 ga elbow
- 14 - 20 ga rigid duct
- 15 - 8" transition and 45 degree nozzle
- 16 - Retractable cord reel mounted inside of cabinet includes cord & plug.
- 17 - Fan on/off switch
- 18 - "T" handle
- 19 - Inlet bearing
- 20 - Quick connect coupler. Allows for hose disconnect from mast to allow for under chassis use.



2006, Monoxivent All Rights Reserved
 Monoxivent - 1306 Mill Street, Rock Island, IL 61201
 www.monoxivent.com - Duplication, reproduction or
 redistribution in any way of this document or its contents
 without the expressed written approval of Monoxivent
 is strictly prohibited by law.

Blower Performance:

Model	HP	1"	2"	3"	4"	5"	6"	7"
D15	1.5	965	910	840	780	675	550	330

Standard Motors are Baldor with TEFC Enclosure. Standard Motors are UL UR Recognized as a component and CSA Certified in Canada.

The D Series fans are not UL Listed or CSA Certified as an assembly.

Motor specifications subject to change without notice.

The construction is Silumin (Silicon Aluminum Alloy) for the housing and the wheel.

Approx. Wt.- 520 lbs.

**TECHNICAL
INFORMATION**

In the interest of continuing product improvement,
we reserve the right to change models,
specifications, and/or features without prejudice.

PROJECT: _____
 LOCATION: _____
 ARCHITECT: _____
 ENGINEER: _____
 CONTRACTOR: _____
 DATE: _____ SALES ENGINEER: _____

www.monoxivent.com

info@monoxivent.com

309-794-1000

Page: PVSC-13

**Blower is constructed of cast Silumin (Silicon Aluminum Alloy) (both housing and wheel)
Wheel is radial blade type**

**Standard Motors are Baldor with TEFC Enclosure. Standard Motors are UL UR
Recognized as a component and CSA Certified in Canada.**

Motor is 3450 RPM

Provided with clockwise rotation only

Foot mount base

1-Phase: 115 Volt

ON/OFF Switch

25' Power Cord w/ Plug

Carrying Handle

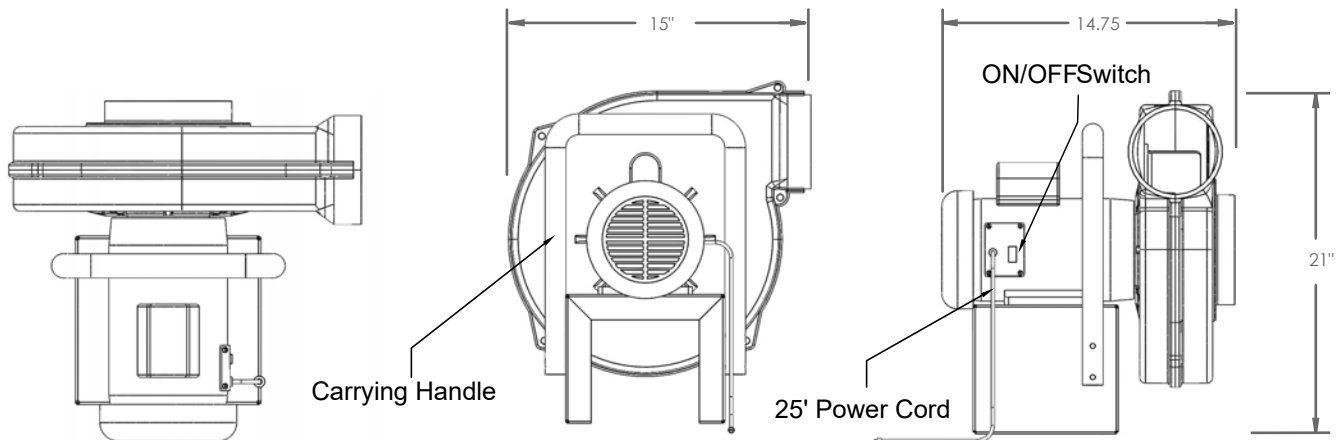
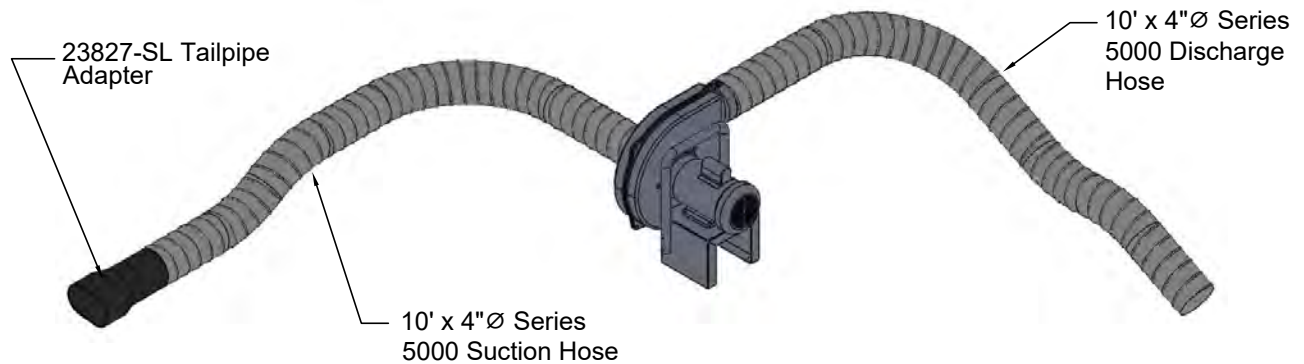
10' x 4" Diameter, Series 5000 Hose on Suction Side

10' x 4" Diameter, Series 5000 Hose on Discharge Side

23827-SL Tailpipe Adapter



Single Phase Model	HP	RPM	1"	CFM @ Static Pressure								DBA at 5'	Motor Frame
				2"	3"	4"	5"	6"	7"	8"	9"		
D05-1	0.5	3450	450	435	390	350	260	150	---	---	---	85	56



*The D Series fans are not UL Listed or CSA Certified as an assembly. Motor specifications subject to change without notice.

EXHAUST FANS



6

Underground Exhaust Systems

When selecting Underground Exhaust Systems:

- STEP 1 Determine Outlet Size (3", 4", 5", 6")
Determine if a Single or Dual Outlet is required (Dual Outlet only offered on 3" systems due to Size Constraints)
Determine if systems shall be Self-Storing (Most Common) or Plug-in Style
- STEP 2 Determine type of Hose (1000, 2000, 3000, or 5000 Series)
Determine Necessary Length of Hose - 10' Recommended
Determine Diameter of Hose for application
- STEP 3 Determine Nozzle/Adapter Series
Determine Size
Note, Y-Kits are Available - Please Consult Factory
- STEP 4 Select Hose Guide, Based on Hose Diameter
- STEP 5 Select any Optional Components, If Needed

Notes:

Underground Exhaust Systems are offered in either a self-storing or plug-in configuration with ductwork underground.

The self-storing systems have the "flex drops" stored under the floor in the ductwork. In the plug-in configuration the flex hose simply plugs into the floor outlet and the flex drops are stored, above ground, on hangers.

For 3"-dual floor outlets it is recommended that only 1000/2000-Series flexible metal hose be utilized. The heavy convolutions of the 3000-Series hose, along with the external wear strip on the 5000-Series hose make it difficult to allow smooth storage for two-sections of either hose type.

Hose (NEW LOCATION IN CATALOG - 11th Tab):

1000/2000 SERIES HOSE: The Series 1000/2000 Hose serves as Monoxivent's metal interlocking hose. The metal hose has a unique floppy-type interlocking construction, allowing the hose to move and bend easily. The Series 1000 is constructed of 302-stainless steel, while the Series 2000 is constructed of electro galvanized carbon steel.

3000 SERIES HOSE: The Series 3000 Hose serves as Monoxivent's "no crush" hose. The convoluted neoprene design has been specifically formulated to handle 600-degree temperatures. The hose, which does not contain a wire helix, returns back to its' original shape if "crushed" by any vehicles or other machinery. This hose is ideal for incorporation with underground exhaust systems.

5000 SERIES HOSE: The Series 5000 Hose is a versatile option and may be used for hose reels, overhead exhaust systems, underground systems, welding, industrial use, light-duty material handling, and agricultural use. The hose easily withstands temperatures at 350-degrees. The hose withstands temperatures up to 550-degrees, intermittent use.



Underground Systems
Self Storing, Vehicle
Extraction

TECHNICAL INFORMATION

In the interest of continuing product improvement,
we reserve the right to change models,
specifications, and/or features without prejudice.

PROJECT: _____
LOCATION: _____
ARCHITECT: _____
ENGINEER: _____
CONTRACTOR: _____
DATE: _____ SALES ENGINEER: _____

www.monoxivent.com

info@monoxivent.com

309-794-1000

Page: UES-1

UNDERGROUND VEHICLE EXTRACTION SYSTEMS

The following section will familiarize you with the standard underground self storing vehicle exhaust extraction systems by Monoxivent.

For many years the underground system has been the most popular means of removing vehicle exhaust fumes. The following information is based on the industry standard of the floor outlet, saddle or extension tunnel and the tunnel adapter sleeve.

The underground system is designed to allow for either a self-storing or plug-in of the flex hose from the floor outlet which completes the connection from the main duct system to the vehicle tailpipe.

The current market demands a "convoluted no crush type hose" to be used with the underground system. The series 3000 hose serves this purpose. The hose offers a design allowing people and vehicles to walk or drive over the hose. The hose will rebound to its original shape if this occurs.

In past years, the underground system used metal interlocking hose. The metal hose lacked a tight bend radius and flexibility. However, it did offer a smooth and easy sliding into and out of the floor outlet and duct. Another big disadvantage to the metal hose was the simple fact that if the hose was driven over, the hose had to be replaced.

The automotive market using the underground system needs to understand the pros and cons to both rubber no crush hose and metal hose. The rubber no crush hose offers a tight bend radius, flexibility, and a return to shape upon compression. Rubber hose does not slide easily and does not have any type of helix or wall stiffener, thus the rubber hose is not easy to slide back into the floor outlet. The metal hose offers easy storing ability, but does not offer flexibility, easy bending, or the ability to be used again after the hose has been driven over.

Monoxivent's experience has found that the demand for the rubber hose is greater than for the metal hose. The end user usually has had experience with the storing concerns of rubber hose, but takes the other advantages rubber hose offers over the metal hose. We suggest the end user be made aware of the pros and cons of both types of hose.



Underground Systems
Self Storing, Vehicle
Extraction

TECHNICAL INFORMATION

In the interest of continuing product improvement,
we reserve the right to change models,
specifications, and/or features without prejudice.

PROJECT: _____
LOCATION: _____
ARCHITECT: _____
ENGINEER: _____
CONTRACTOR: _____
DATE: _____ SALES ENGINEER: _____

www.monoxivent.com

info@monoxivent.com

309-794-1000

Page: UES-2

UNDERGROUND EXHAUST FLOOR OUTLETS

The floor outlet assembly shall consist of 1/4" thick solid steel door. The door when closed shall be flush with the concrete floor level and the door when open must be able to lay flat back so as not the cause an obstruction for persons or vehicles.

The door shall be mounted to a 14 gauge pressed stamped steel floor flange frame. The door attaches to the frame by means of (2) heavy gauge steel hinged bracket and die formed steel hinge pins.

The body of the floor flange shall be constricted of 20 gauge stainless steel and permanently welded and sealed to the floor flange.

The upper floor flange assembly shall be supplied with a 20 gauge stainless saddle or extension tunnel, depending on the type of main duct specified. The saddle or extension tunnel shall be the female portion of the entire floor outlet assembly. The upper floor outlet flange shall be the male component and will fit into the saddle or tunnel by means of a telescopic effect. The telescopic mating will allow for easy setting of the final height adjustment so the upper door and flange will be flush with the concrete floor level.

MAIN DUCT TIPS:

Main duct and connecting duct diameters do not follow standard chart recommendations for air flow. You must keep in mind that the hose used creates a restriction in the duct diameters when a floor outlet assembly is to be attached to the duct.

8" - minimum diameter duct when using a single 3" or 4" hose floor outlet.

10" - minimum diameter duct when using a dual 3", or single 5" or 6" hose floor outlet.

From this point, standard procedures are to be followed. Increase the main duct diameters as more floor outlets are added to the duct system as you work towards the fan. Keep in mind to use slightly larger diameter duct than normal air flow design procedures recommend because of extra restrictions. The larger diameters allow for easier operation of the hose sliding in and out of the duct system.

**TECHNICAL
INFORMATION**

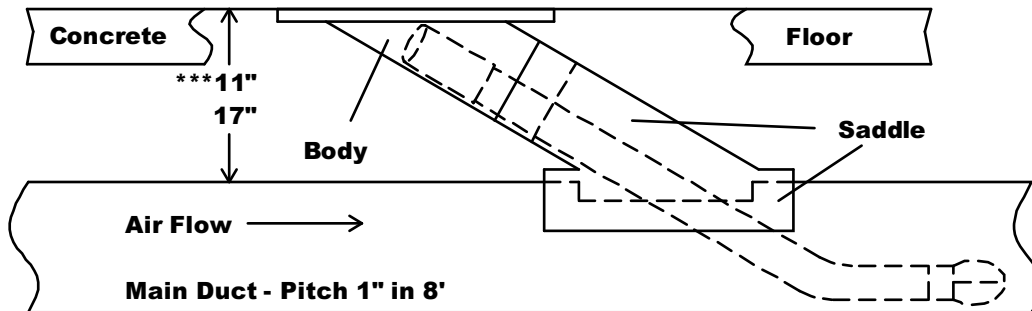
In the interest of continuing product improvement,
we reserve the right to change models,
specifications, and/or features without prejudice.

PROJECT: _____
LOCATION: _____
ARCHITECT: _____
ENGINEER: _____
CONTRACTOR: _____
DATE: _____ SALES ENGINEER: _____

• **MODELS: 23816 - FOR 3" HOSE; 23818 - FOR DUAL 3" HOSE; 23817 - FOR 4" HOSE; 23819 - FOR 5" HOSE; 23820 - FOR 6" HOSE** •

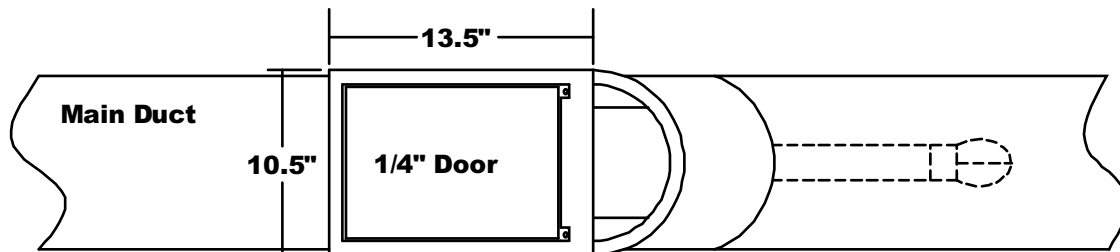
SIDE VIEW

* LAY FLAT DOOR & FLOOR FLANGE



NOTE: This dimension can be increased or decreased

TOP VIEW



PRODUCT FEATURES:

- DOOR -** 1/4", 4-way Structural Solid Steel Plate - 9" x 11" Zinc Coated
- FLOOR FLANGE -** 14-Gauge Stamped Steel Plate Zinc Coated
- BODY -** 20-Gauge 304 Stainless Steel
- SADDLE -** 20-Gauge 304 Stainless Steel

NOTE: Above system is used with Monoxivent's VE Duct.

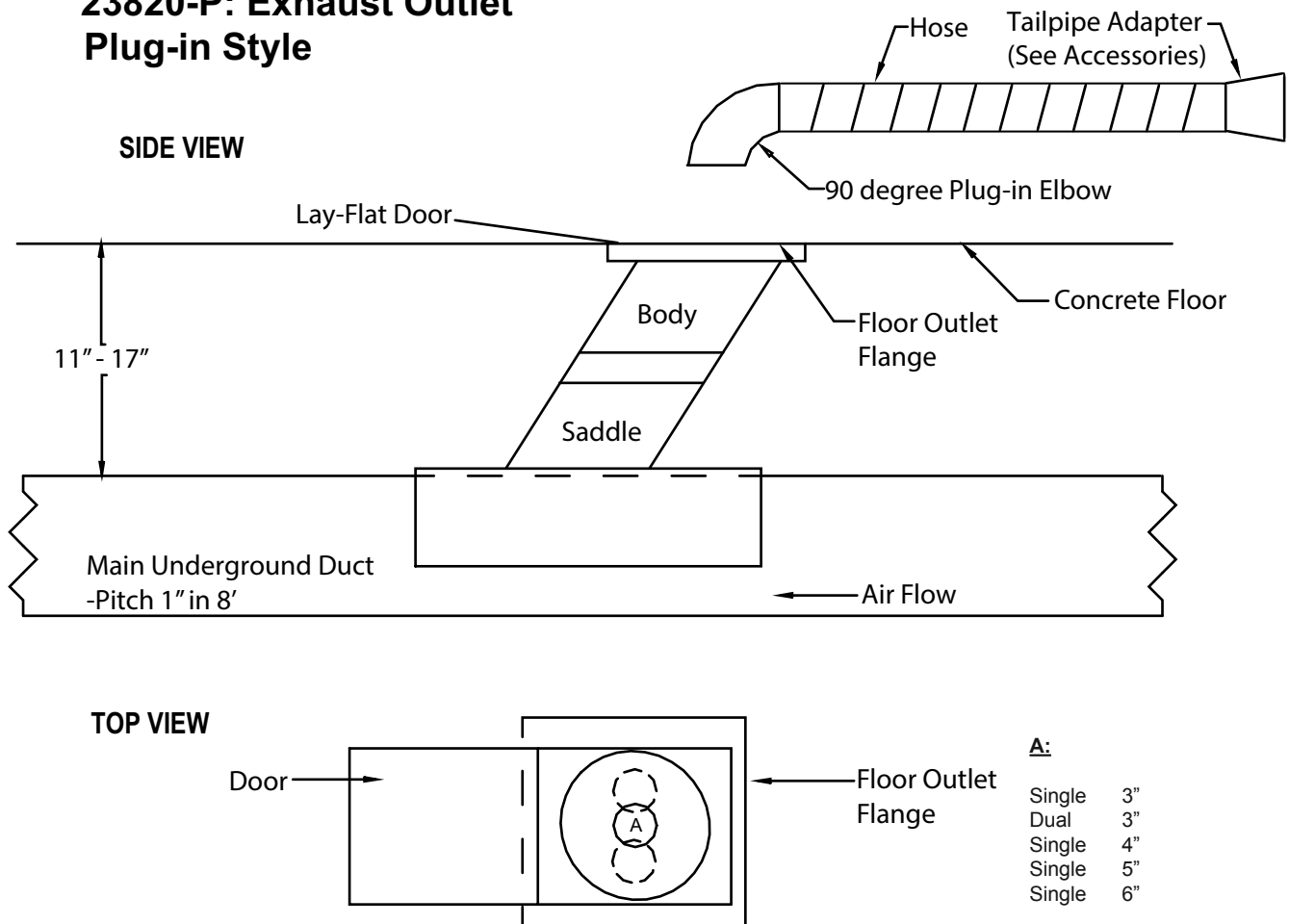
**TECHNICAL
INFORMATION**

In the interest of continuing product improvement, we reserve the right to change models, specifications, and/or features without prejudice.

PROJECT: _____
LOCATION: _____
ARCHITECT: _____
ENGINEER: _____
CONTRACTOR: _____
DATE: _____ SALES ENGINEER: _____

MODEL 23820-P (Plug-in Non-Self Storing) - FOR 3" SINGLE/DUAL PLUG-IN, FOR 4" PLUG-IN, FOR 5" PLUG-IN, FOR 6" PLUG-IN.

**23820-P: Exhaust Outlet
Plug-in Style**



UNDERGROUND
EXHAUST SYSTEMS

Lay-flat door is opened, exposing the inner plate that will have one of the combinations denoted by "A" in the top view (above).
The hose/plug-in elbow is inserted into the "A" opening, which completes the connection from the floor outlet to the vehicle.
(Hose, typically, is stored on a wall structure or column within the building.)

NOTE: Above system is used with Monoxivent's VE Duct.

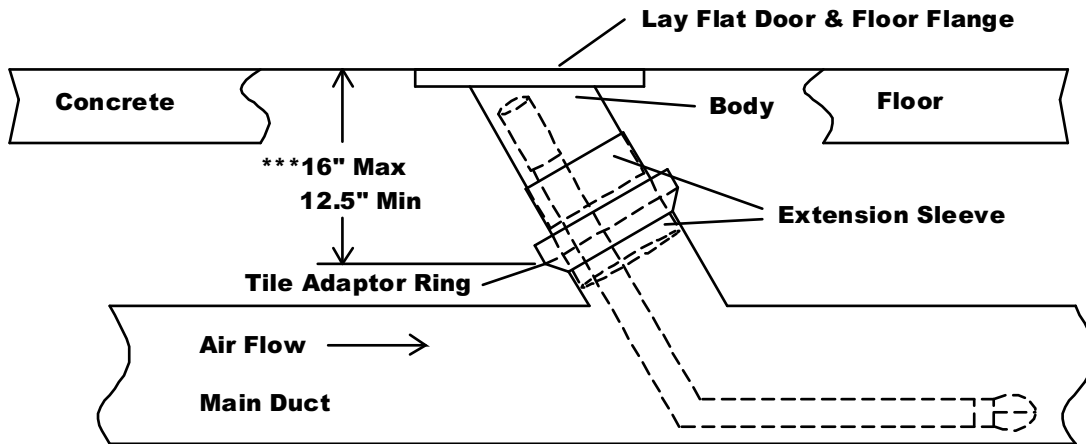
**TECHNICAL
INFORMATION**

In the interest of continuing product improvement,
we reserve the right to change models,
specifications, and/or features without prejudice.

PROJECT: _____
LOCATION: _____
ARCHITECT: _____
ENGINEER: _____
CONTRACTOR: _____
DATE: _____ SALES ENGINEER: _____

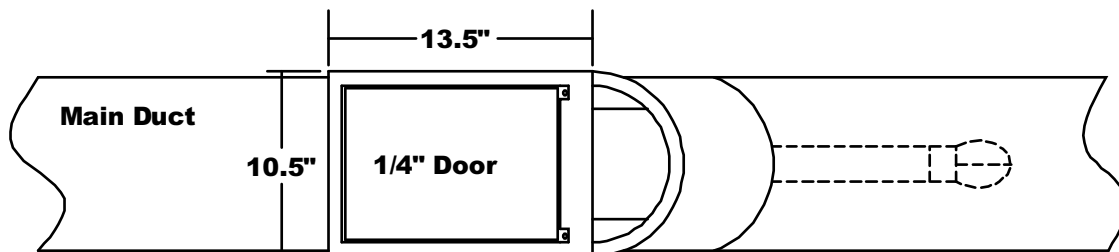
• **MODELS: 23800 - FOR 3" HOSE; 23802 - FOR DUAL 3" HOSE; 23801 - FOR 4" HOSE; 23806 - FOR 5" HOSE; 23807 - FOR 6" HOSE** •

SIDE VIEW



NOTE: This dimension can be increased or decreased

TOP VIEW



PRODUCT FEATURES:

- DOOR -** 1/4", 4-way Structural Solid Steel Plate - 8 5/8" x 11 1/8" Zinc Coated
- FLOOR FLANGE -** 14-Gauge Stamped Steel Plate Zinc Coated
- BODY -** 20-Gauge 304 Stainless Steel
- SADDLE -** 20-Gauge 304 Stainless Steel

NOTE: Above system is used with Monoxivent's VE Duct.



Underground Systems
Hose Guide Used for
Flexible Hose

TECHNICAL INFORMATION

In the interest of continuing product improvement,
we reserve the right to change models,
specifications, and/or features without prejudice.

PROJECT: _____
LOCATION: _____
ARCHITECT: _____
ENGINEER: _____
CONTRACTOR: _____
DATE: _____ SALES ENGINEER: _____

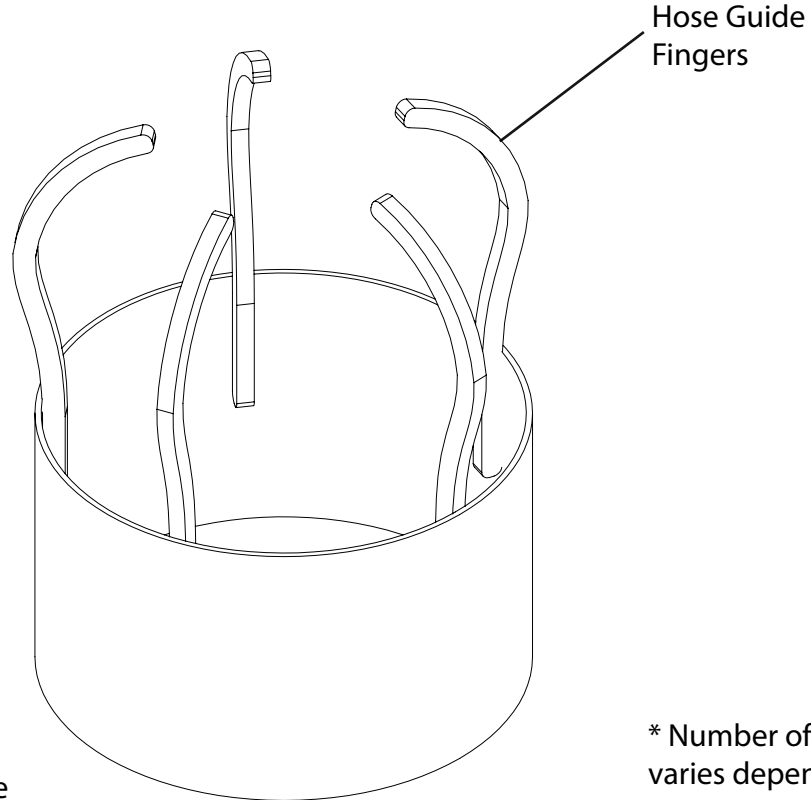
www.monoxivent.com

info@monoxivent.com

309-794-1000

Page: UES-6

HOSE GUIDE



Flexible Hose
(Not Shown)

* Number of fingers
varies depending on
hose size.

The Hose Guide is used to assist the hose used for the underground system. The Hose Guide is attached to the end of the hose. The Hose Guide assists the hose during its return into the main underground duct.

The Hose Guide is constructed of multiple 3/16" solid steel fingers. The fingers are welded to a 2" stainless steel band. The stainless steel band is then attached to a flexible hose.

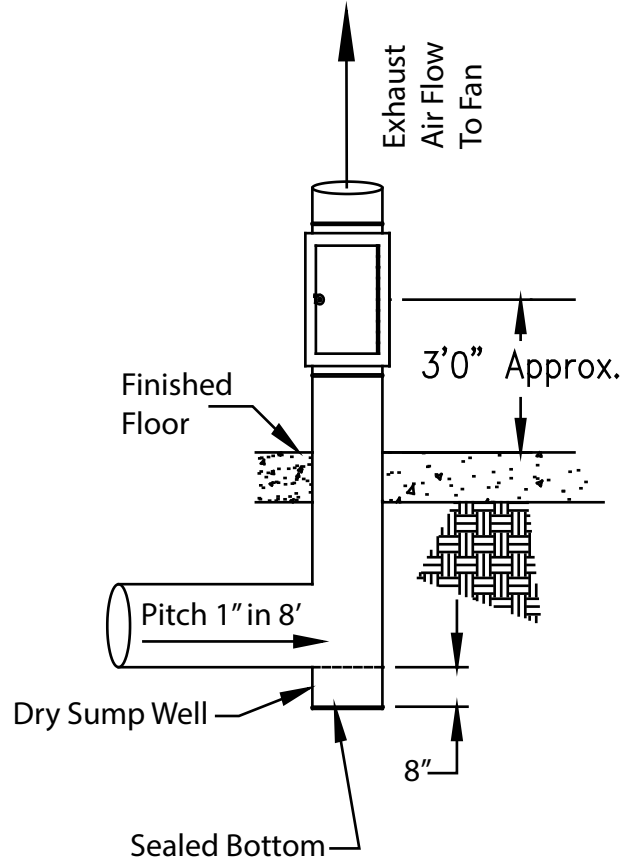
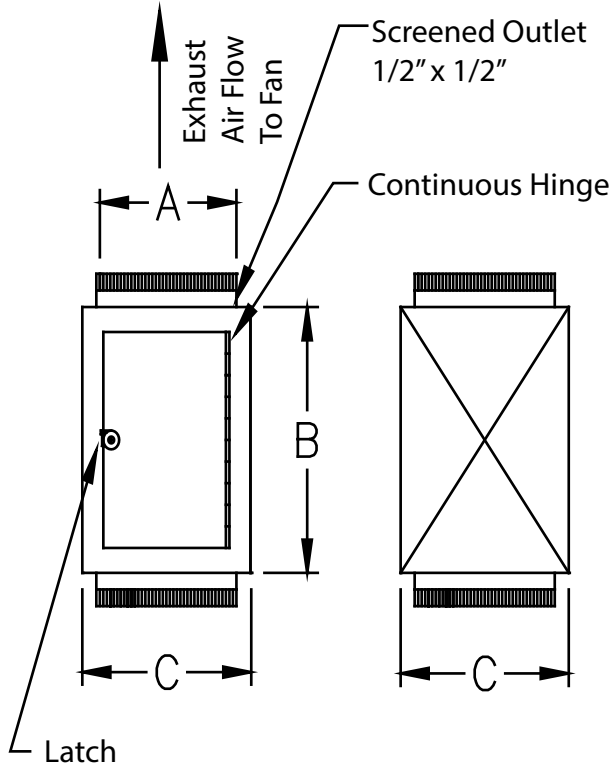
<u>Model</u>	<u>Hose Diameter</u>
2980-80	3"
6311-80	4"
23660-54	5"
23660-90	6"

**TECHNICAL
INFORMATION**

In the interest of continuing product improvement,
we reserve the right to change models,
specifications, and/or features without prejudice.

PROJECT: _____
 LOCATION: _____
 ARCHITECT: _____
 ENGINEER: _____
 CONTRACTOR: _____
 DATE: _____ SALES ENGINEER: _____

**UNDERGROUND VEHICLE EXTRACTION SYSTEMS
REFUSE CLEAN OUT (REFCO)**



Model	A	B	C
REFCO-10	10"	16"	12"
REFCO-12	12"	16"	14"
REFCO-14	14"	16"	16"
REFCO-16	16"	16"	18"
REFCO-18	18"	16"	20"

The REFCO Series offers refuse clean out plenums that are designed as a debris trap to protect the exhaust fan, while providing access to the underground ducting system through the riser duct for accumulated refuse and insertion of a sump pump to eject water should the system become flooded.

The refuse clean out shall be constructed of (minimum) 20-gauge galvanized steel with stainless steel continuous hinge, access door and latch. A screen mesh of 1/2" x 1/2" shall be provided across the outlet opening.

Note - factory reserves the right to change dimensional data without notice.



7

Accessories

When selecting Nozzles and Adapters:

- STEP 1 Determine Nozzle/Adapter Series
 Determine Size
 Determine Other Necessary Features
- STEP 2 Select any Required Worm Gear Clamps
- STEP 3 Determine if options are needed for Nozzles/Adapters

Tips:

8000 Series: Used with automobiles, light trucks, heavy-duty trucks, diesel applications

43000 Series: Used with automobiles, light trucks, heavy-duty trucks, diesel applications

TPA-RB Series: Used with vertical stacks, heavy-duty trucks, diesel applications

TCA Series: Used with automobiles, light trucks, motorcycles, ATV's

23800 Series: Used with automobiles, light trucks, motorcycles, ATV's

Note, 23827 and 23828 are most common nozzles for automobile and light truck applications.



Accessories for the Overhead & Underground Extraction Systems

TECHNICAL INFORMATION

In the interest of continuing product improvement, we reserve the right to change models, specifications, and/or features without prejudice.

PROJECT: _____
 LOCATION: _____
 ARCHITECT: _____
 ENGINEER: _____
 CONTRACTOR: _____
 DATE: _____ SALES ENGINEER: _____

www.monoxivent.com

info@monoxivent.com

309-794-1000

Page: AC-1

OVERVIEW

The following section is to introduce the unique components that are used with the underground and overhead extraction systems.

Monoxivent has developed many accessories based on direct communication with end users. Monoxivent has spent many field hours discussing how a system can be improved by listening to those who use the product on a daily basis.

The accessories developed by Monoxivent have been designed and built to meet the needs of the end users. Every accessory in this section has been built, tested, designed, and re-designed based on actual field test and response.

Monoxivent is pleased to state that our customers are extremely pleased with our efforts, products, service, and dedication to offer a system that can be genuinely called "user friendly."

TECHNICAL INFORMATION

In the interest of continuing product improvement,
we reserve the right to change models,
specifications, and/or features without prejudice.

PROJECT: _____
LOCATION: _____
ARCHITECT: _____
ENGINEER: _____
CONTRACTOR: _____
DATE: _____ SALES ENGINEER: _____

www.monoxivent.com

info@monoxivent.com

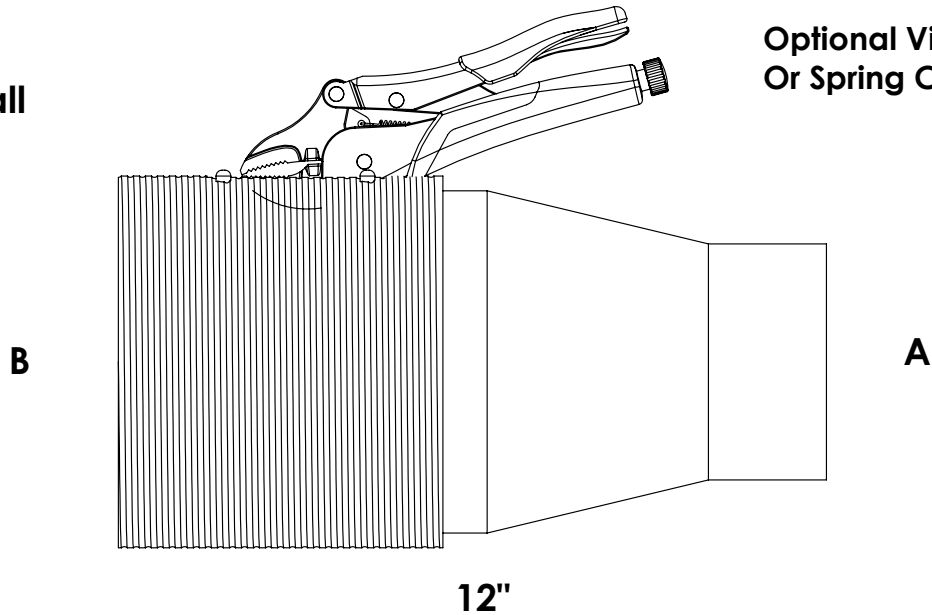
309-794-1000

Page: AC-2

CLAMPING TAILPIPE NOZZLE

**1/4" Heavy
Neoprene Wall**

**Optional Vise Grip
Or Spring Clamp**



- A** - Available in 4", 5", 6", or 8"
- B** - 6" Mouth for the 8000 Series
- C** - 8" Mouth for the 8080 Series

Inner Body and Tapered End Constructed of 20-Gauge Galvanized Steel
Main Outer Body Constructed of 600 Degree EPDM Rubber - 1/4" Wall

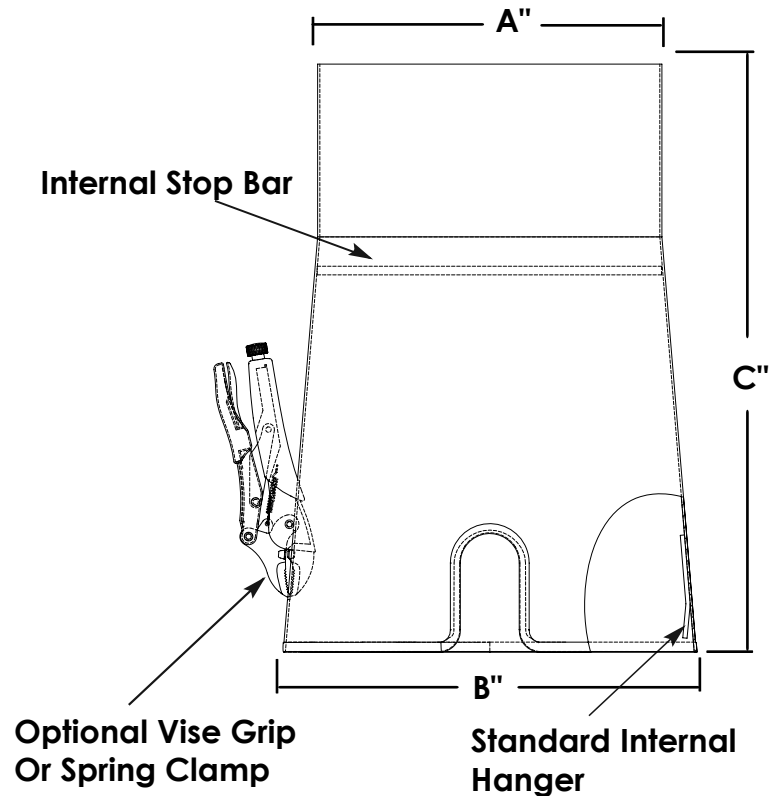
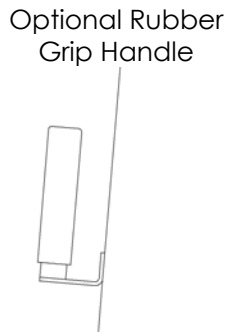
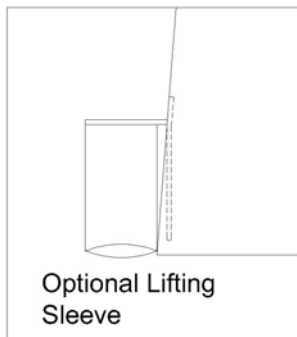
NOTE: 8000 Series Nozzles can be supplied with screen and Locking Hand Damper as optional accessories. The screen is used as a catch guard, keeping out debris. The Locking Hand Damper is used to close off the air supply to the nozzle when the nozzle is not in use.

NOTE: 8000 Series Nozzles can also be provided with optional handles, lifting sleeves, etc.

**TECHNICAL
INFORMATION**

In the interest of continuing product improvement, we reserve the right to change models, specifications, and/or features without prejudice.

PROJECT: _____
 LOCATION: _____
 ARCHITECT: _____
 ENGINEER: _____
 CONTRACTOR: _____
 DATE: _____ SALES ENGINEER: _____



* Adapter Constructed of 18 Gauge 304 Stainless Steel

NOTE: The TCA is available with the optional spring clamp feature or vise grip lock.

Model	A	B	C
TCA-4	4"	6"	15"
TCA-5	5"	7"	15"
TCA-6	6"	8"	15"
TCA-8	8"	10"	17"
TCA-10	10"	12"	17"
TCA-12	12"	14"	17"
TCA-14	14"	16"	23"
TCA-16	16"	18"	25"
TCA-18	18"	20"	25"

NOTE: The TCA adapter can be supplied with the lifting pole sleeve. See page AC-6 for lifting pole information. The TCA adapter can be supplied with optional accessories - such as locking hand dampers, handles, inlet screens, etc.

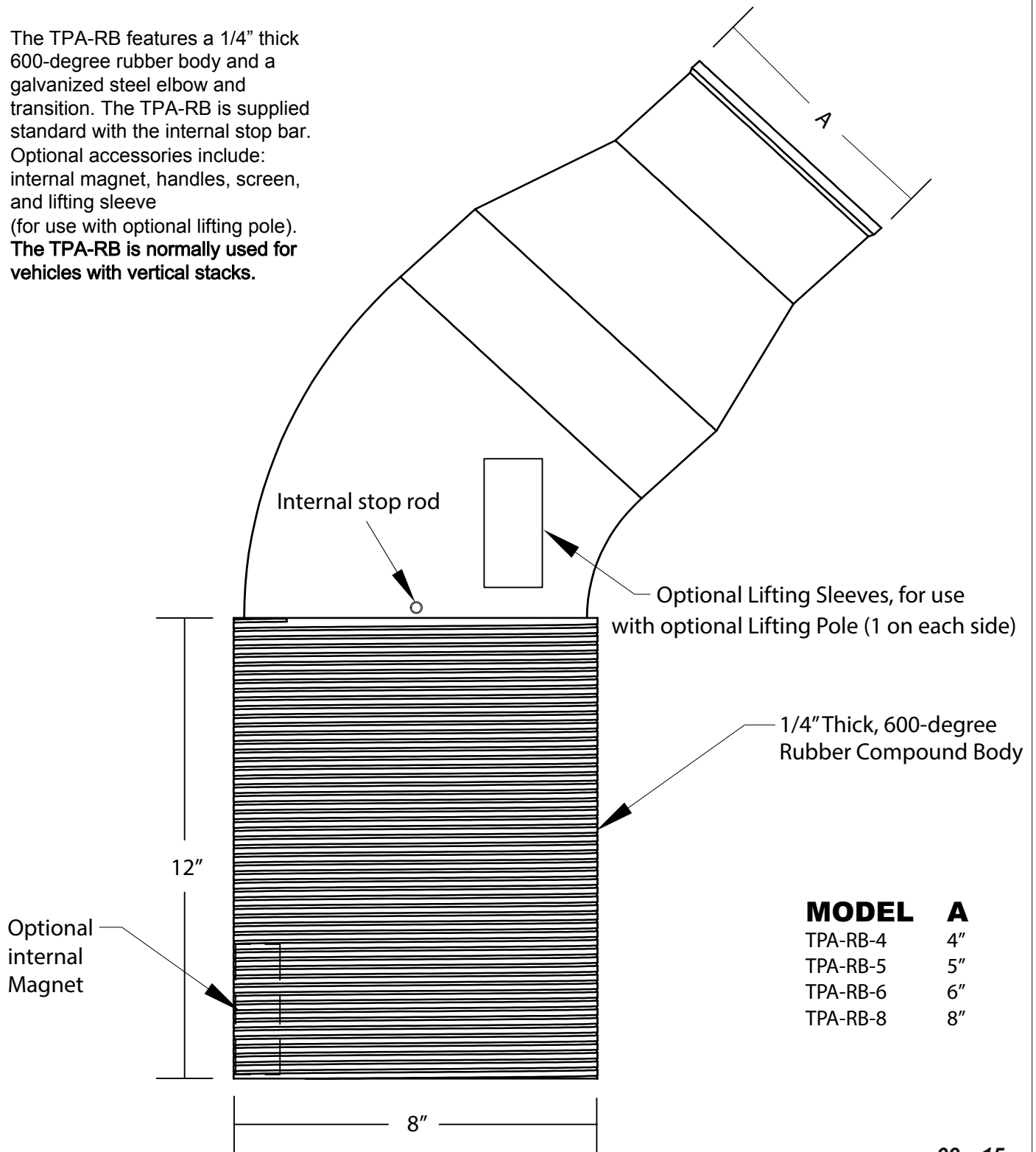
TECHNICAL INFORMATION

In the interest of continuing product improvement, we reserve the right to change models, specifications, and/or features without prejudice.

PROJECT: _____
 LOCATION: _____
 ARCHITECT: _____
 ENGINEER: _____
 CONTRACTOR: _____
 DATE: _____ SALES ENGINEER: _____

The TPA-RB features a 1/4" thick 600-degree rubber body and a galvanized steel elbow and transition. The TPA-RB is supplied standard with the internal stop bar. Optional accessories include: internal magnet, handles, screen, and lifting sleeve (for use with optional lifting pole). The TPA-RB is normally used for vehicles with vertical stacks.

ACCESSORIES





Self Closing Spring Damper,
43000 Series

TECHNICAL INFORMATION

In the interest of continuing product improvement,
we reserve the right to change models,
specifications, and/or features without prejudice.

PROJECT: _____
 LOCATION: _____
 ARCHITECT: _____
 ENGINEER: _____
 CONTRACTOR: _____
 DATE: _____ SALES ENGINEER: _____

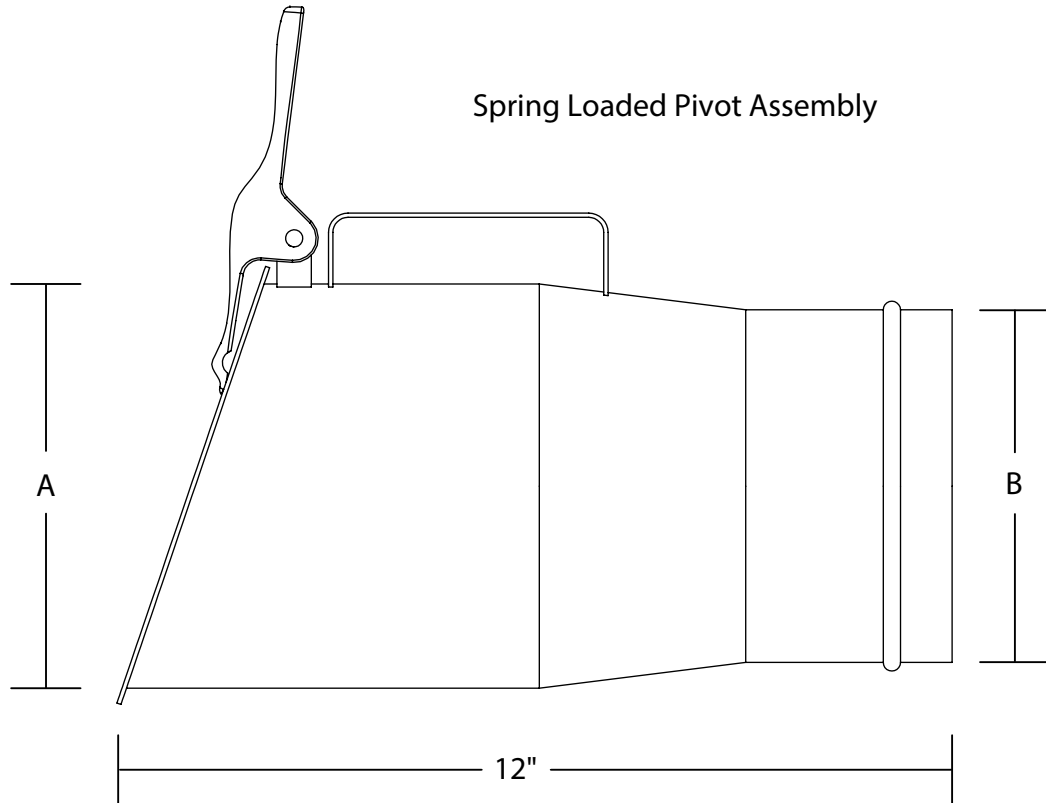
www.monoxivent.com

info@monoxivent.com

309-794-1000

Page: AC- 5

Spring Loaded Pivot Assembly



<u>Model</u>	<u>A</u>	<u>B</u>
43004	4.75"	4"
43005	5.75"	5"
43006	6.75"	6"
43008	8.75"	8"

CONSTRUCTION: The adapter is built from either galvanized or stainless. All adapters are constructed of 20-gauge metal.

Optional inlet screen available.

Lifting Pole: LP-10-H
Telescopic Lifting Pole:
LP-10-ADJ

In the interest of continuing product improvement,
we reserve the right to change models,
specifications, and/or features without prejudice.

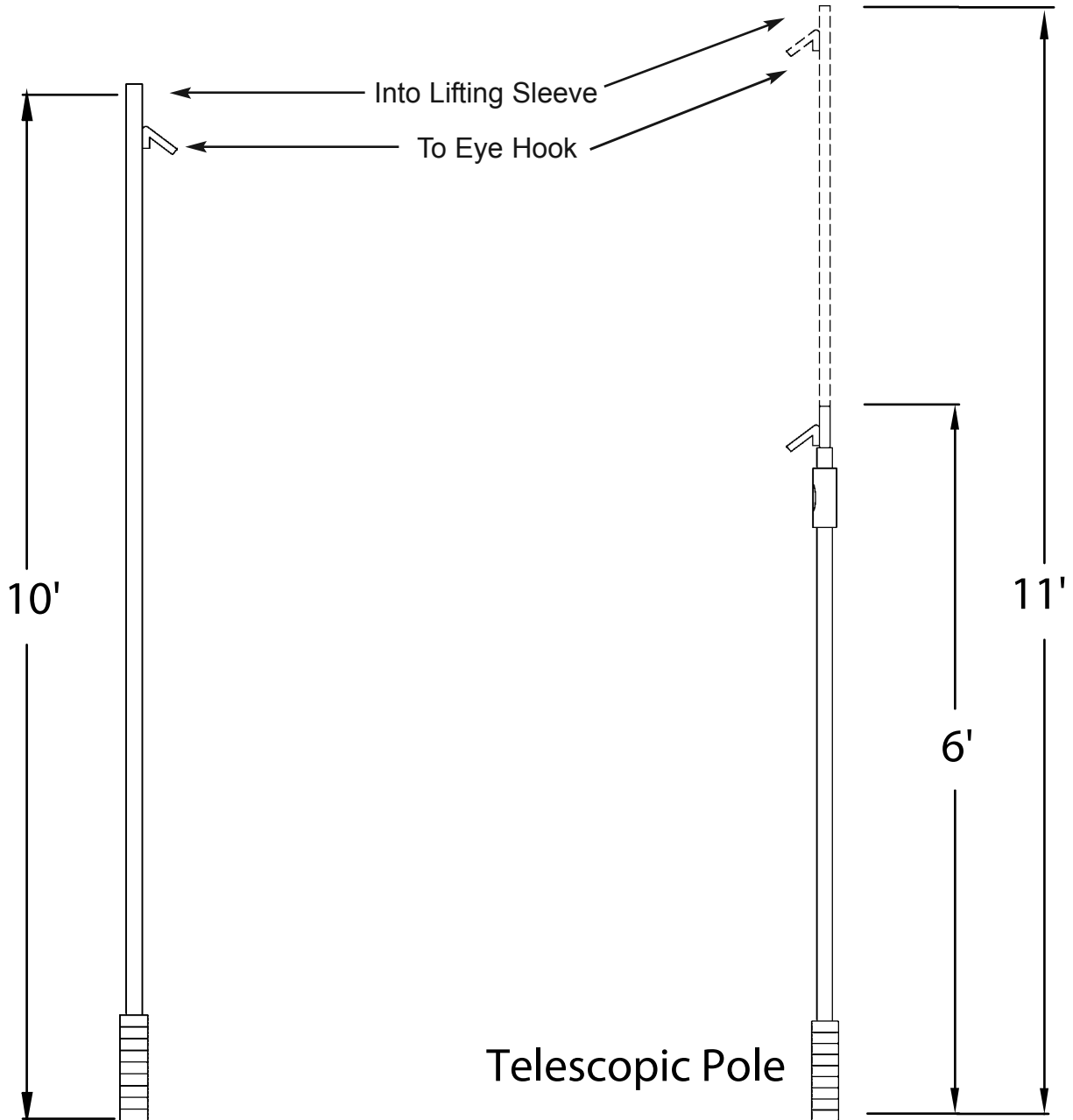
PROJECT: _____
LOCATION: _____
ARCHITECT: _____
ENGINEER: _____
CONTRACTOR: _____
DATE: _____ SALES ENGINEER: _____

www.monoxivent.com

info@monoxivent.com

309-794-1000

Page: AC-6



Telescopic Pole

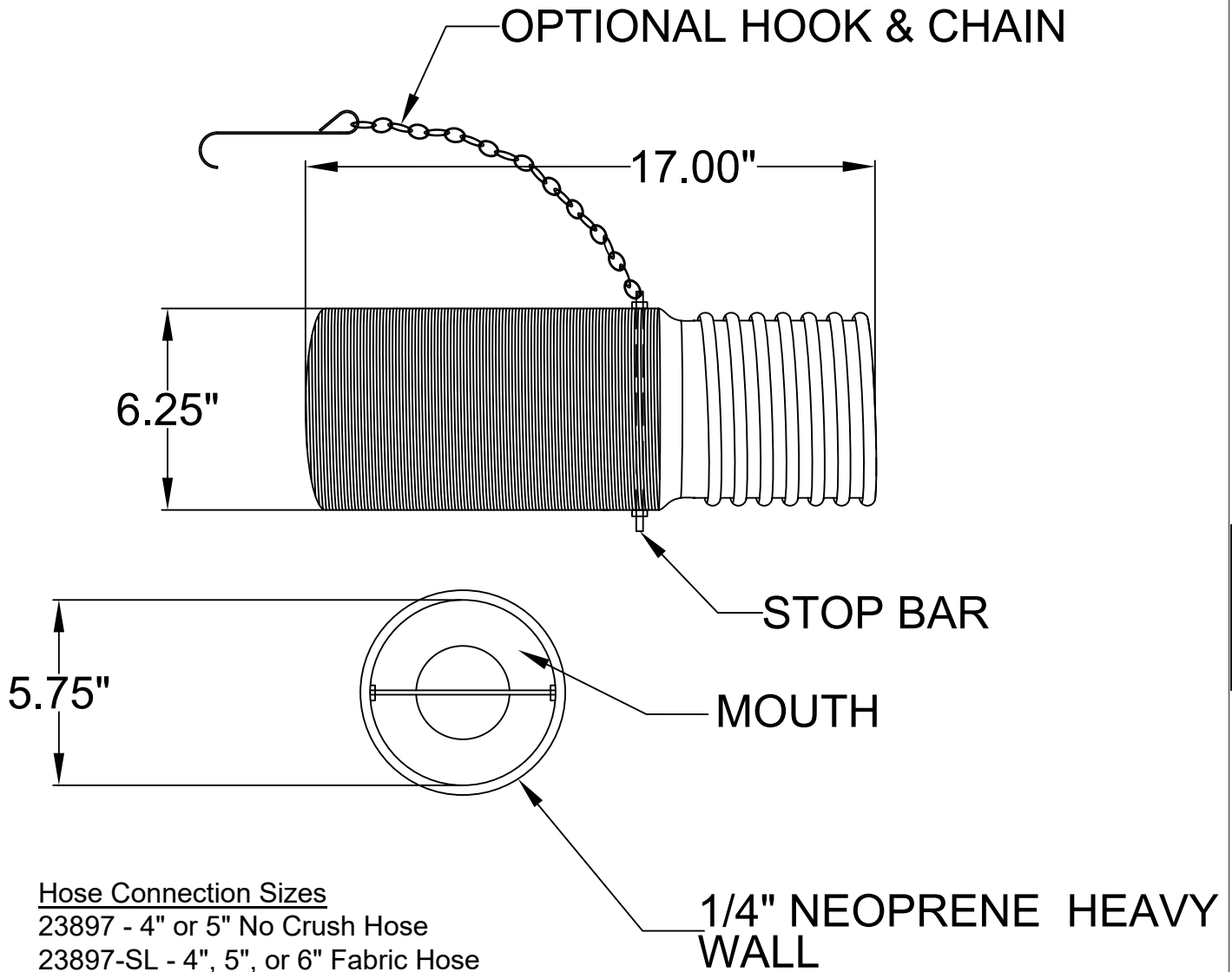
NOTE: An optional hook can be attached to the lifting pole. A vertical stack adapter will have a mating eye for the hook. This is commonly used when the adapter is on a hose reel or system with the balancer where the adapter may need to be pulled down from the overhead storage position.

LP-10-H: Lifting Pole with Pull Down Hook
LP-10-ADJ: Telescopic Lifting Pole with Pull Down Hook

**TECHNICAL
INFORMATION**

In the interest of continuing product improvement, we reserve the right to change models, specifications, and/or features without prejudice.

PROJECT: _____
 LOCATION: _____
 ARCHITECT: _____
 ENGINEER: _____
 CONTRACTOR: _____
 DATE: _____ SALES ENGINEER: _____



ACCESSORIES

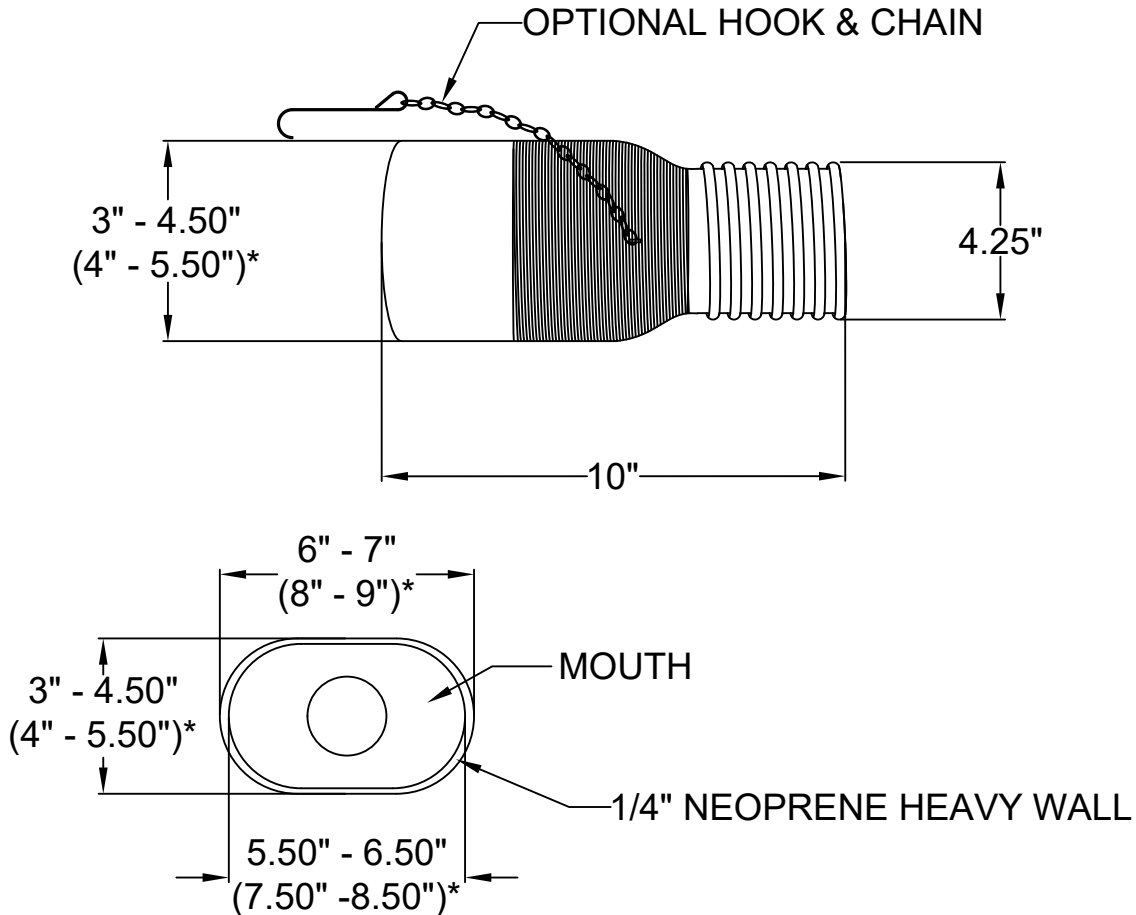
The vertical stack adapter is constructed of 600-degree heavy wall neoprene rubber. The connection end has convolutions to screw into the mating hose. The adapter can also be supplied with a connection sleeve to allow the adapter to attach to smooth bore fabric hose or metal hose.

The 23897 adapter can be attached onto all Monoxivent hose. The adapter may be used on hose series: 1000, 2000, 3000, 4000, and 5000. The adapter will be supplied with the proper connection fitting, based on the hose being supplied.

**TECHNICAL
INFORMATION**

In the interest of continuing product improvement, we reserve the right to change models, specifications, and/or features without prejudice.

PROJECT: _____
 LOCATION: _____
 ARCHITECT: _____
 ENGINEER: _____
 CONTRACTOR: _____
 DATE: _____ SALES ENGINEER: _____



***LARGE MOUTH AVAILABLE, MODEL 23828-SC**

The oval body tailpipe adapter is constructed of 600-degree heavy wall neoprene rubber. The connection end has convolutions to screw into the mating hose. Adapters are also supplied with a connection sleeve to allow the adapter to attach to all Monoxivent hose: 1000, 2000, 3000, 4000, and 5000.

The mouth of the oval adapter is flexible and allows for the change in dimensions listed. The 23827 adapter is a strong universal adapter and is used for most side by side exhaust pipe set-ups on many vehicles as well as single pipe exhaust.

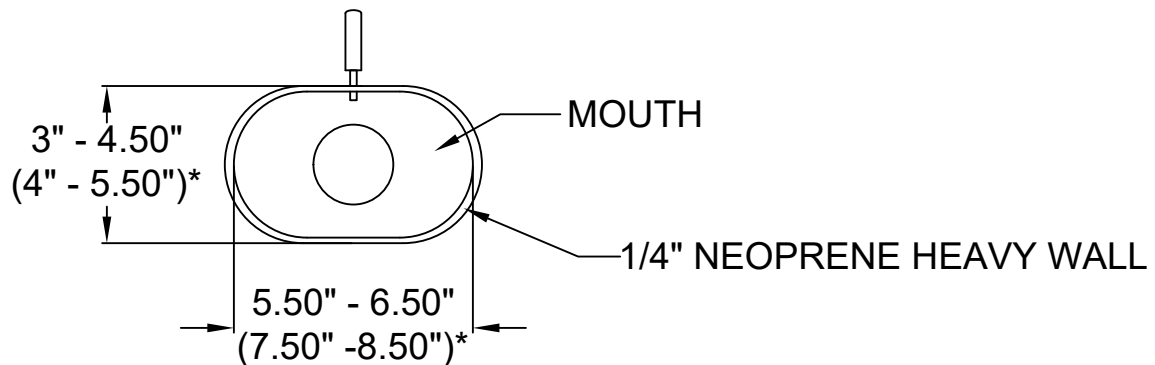
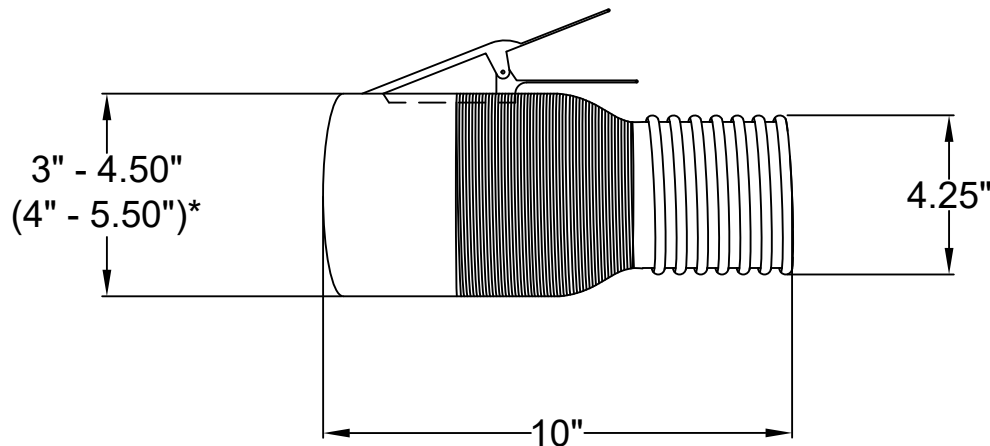
(Optional Spring Hinged Damper Available)

TECHNICAL INFORMATION

In the interest of continuing product improvement,
we reserve the right to change models,
specifications, and/or features without prejudice.

PROJECT: _____
LOCATION: _____
ARCHITECT: _____
ENGINEER: _____
CONTRACTOR: _____
DATE: _____ SALES ENGINEER: _____

23827 - SC - OVAL MOUTH CLAMPING ADAPTER
23828 - SC - LARGE OVAL MOUTH CLAMPING ADAPTER - SEE*



***LARGE MOUTH AVAILABLE, MODEL 23828-SC**

The Monoxivent oval mouth clamping tailpipe adapter is constructed of 600-degree neoprene rubber. The adapter is supplied with a spring tension clamping device. The spring clamp is attached to the adapter body, allowing for a positive and simple connection and for removal from the vehicle exhaust pipe. The oval mouth design allows the adapter to fit many side by side pipes as well as single exhaust pipes. The 23827-SC is an excellent all around adapter for automobiles, vans, and pick-up trucks. The mouth and body may be compressed, as shown by the dimensions above.

(Optional Spring Hinged Damper Available)



TECHNICAL INFORMATION

In the interest of continuing product improvement, we reserve the right to change models, specifications, and/or features without prejudice.

PROJECT: _____
LOCATION: _____
ARCHITECT: _____
ENGINEER: _____
CONTRACTOR: _____
DATE: _____ SALES ENGINEER: _____

www.monoxivent.com

info@monoxivent.com

309-794-1000

Page: AC-10

THIS PAGE LEFT INTENTIONALLY BLANK

DISCONTINUED PRODUCT:

Vehicle Tailpipe Adapter Straight Body Neoprene Rubber



Round Neoprene Adapter
 Model: 23897-SC &
 23897-SC-SL

**TECHNICAL
 INFORMATION**

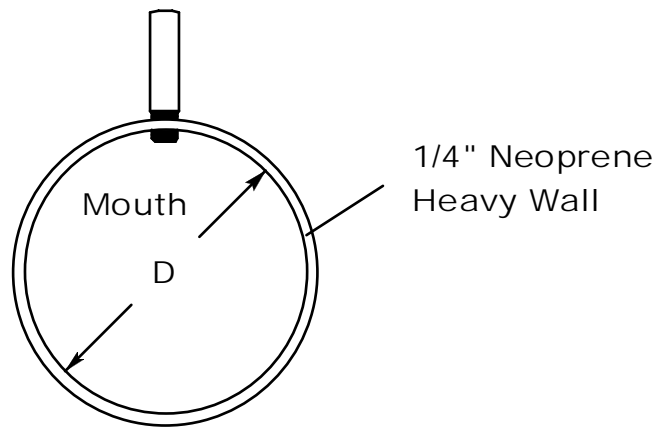
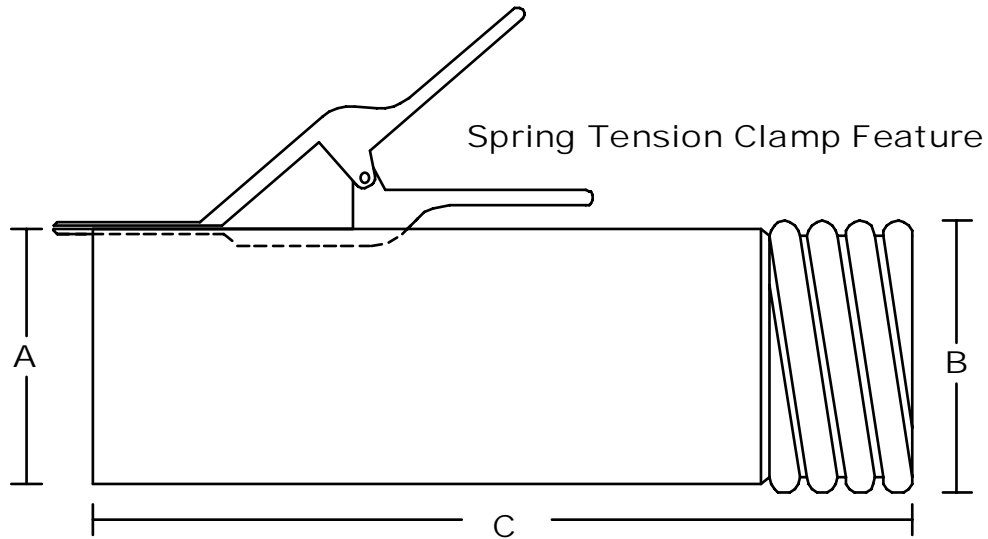
PROJECT: _____
 LOCATION: _____
 ARCHITECT: _____
 ENGINEER: _____
 SALES ENGINEER: _____
 DATE: _____

www.monoxivent.com

info@monoxivent.com

309-794-1000

Page: AC-11



Hose Connection Sizes

23897-SC - 4" or 5" No Crush Hose
 23897-SC-SL - 4", 5", or 6" Fabric Hose

The Monoxivent clamping tailpipe adapter is constructed of 600-degree neoprene rubber. The adapter is supplied with a spring tension clamping device. The spring clamp is attached to the adapter body, allowing a positive connection to the vehicle tailpipe. A simple squeeze on the spring clamp handles allows quick attachment to the tailpipe. The adapter can be removed by another simple squeeze or a direct pull on the adapter or hose. The clamping adapter can be used on all series hose.

Part Number	A	B	C	D
23897-SC	6 1/4"	5 1/4"	8"	5 3/4"



TECHNICAL INFORMATION

In the interest of continuing product improvement, we reserve the right to change models, specifications, and/or features without prejudice.

PROJECT: _____
LOCATION: _____
ARCHITECT: _____
ENGINEER: _____
CONTRACTOR: _____
DATE: _____ SALES ENGINEER: _____

www.monoxivent.com

info@monoxivent.com

309-794-1000

Page: AC-11

THIS PAGE LEFT INTENTIONALLY BLANK

DISCONTINUED PRODUCT:

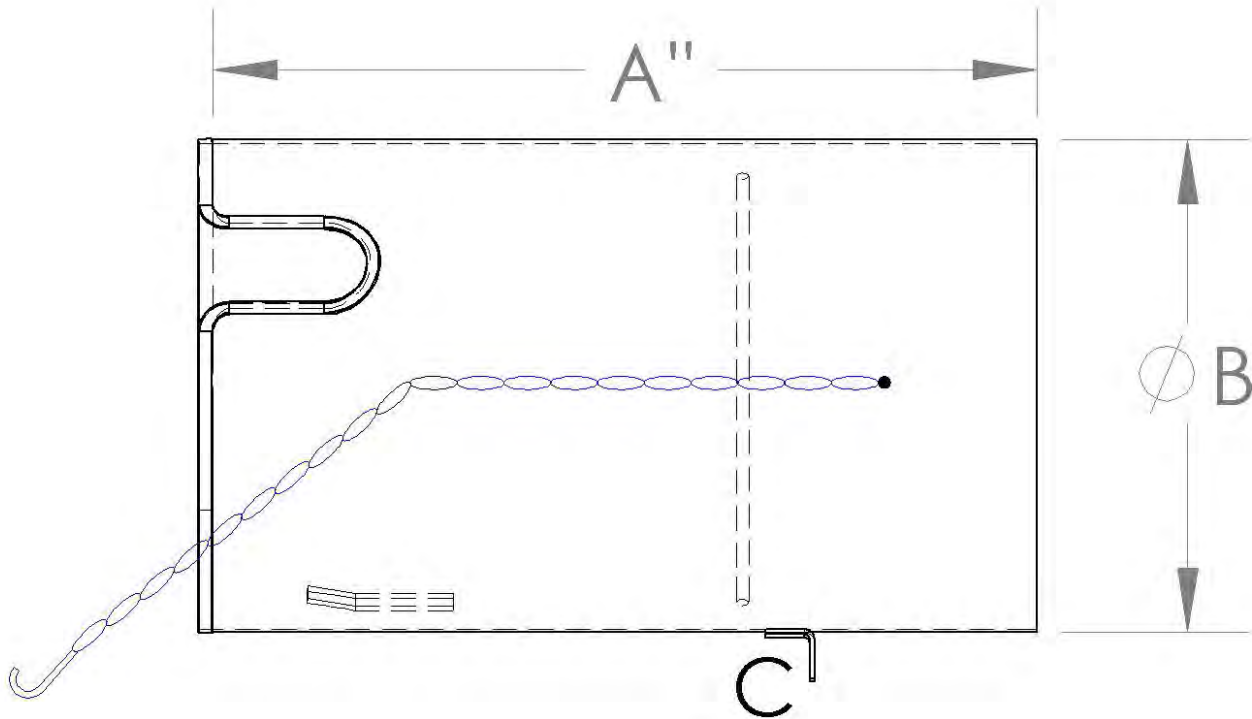
High Temperature neoprene Rubber Spring Clamp Feature

**TECHNICAL
INFORMATION**

In the interest of continuing product improvement, we reserve the right to change models, specifications, and/or features without prejudice.

PROJECT: _____
 LOCATION: _____
 ARCHITECT: _____
 ENGINEER: _____
 CONTRACTOR: _____
 DATE: _____ SALES ENGINEER: _____

NOTE: Adapters are used for underground systems.



Chain & Hook Assembly

- A = 8" - 10"
- B = 3", 4", 5", 6", 8"
- C = SLIP DOWN TAB USED ONLY ON ADAPTERS FOR UNDERGROUND SYSTEMS

CONSTRUCTION: Tailpipe adapters are constructed from 20-gauge stainless steel.

Part Numbers

23884	for	3" Hose
23865	for	4" Hose
23890	for	5" Hose
23896	for	6" Hose
23898	for	8" Hose

NOTE: Nozzle/Adapter available with optional spring or positive grip clamp feature in place of hook and chain.



Diesel Stack Cane
Series 41000

TECHNICAL INFORMATION

In the interest of continuing product improvement,
we reserve the right to change models,
specifications, and/or features without prejudice.

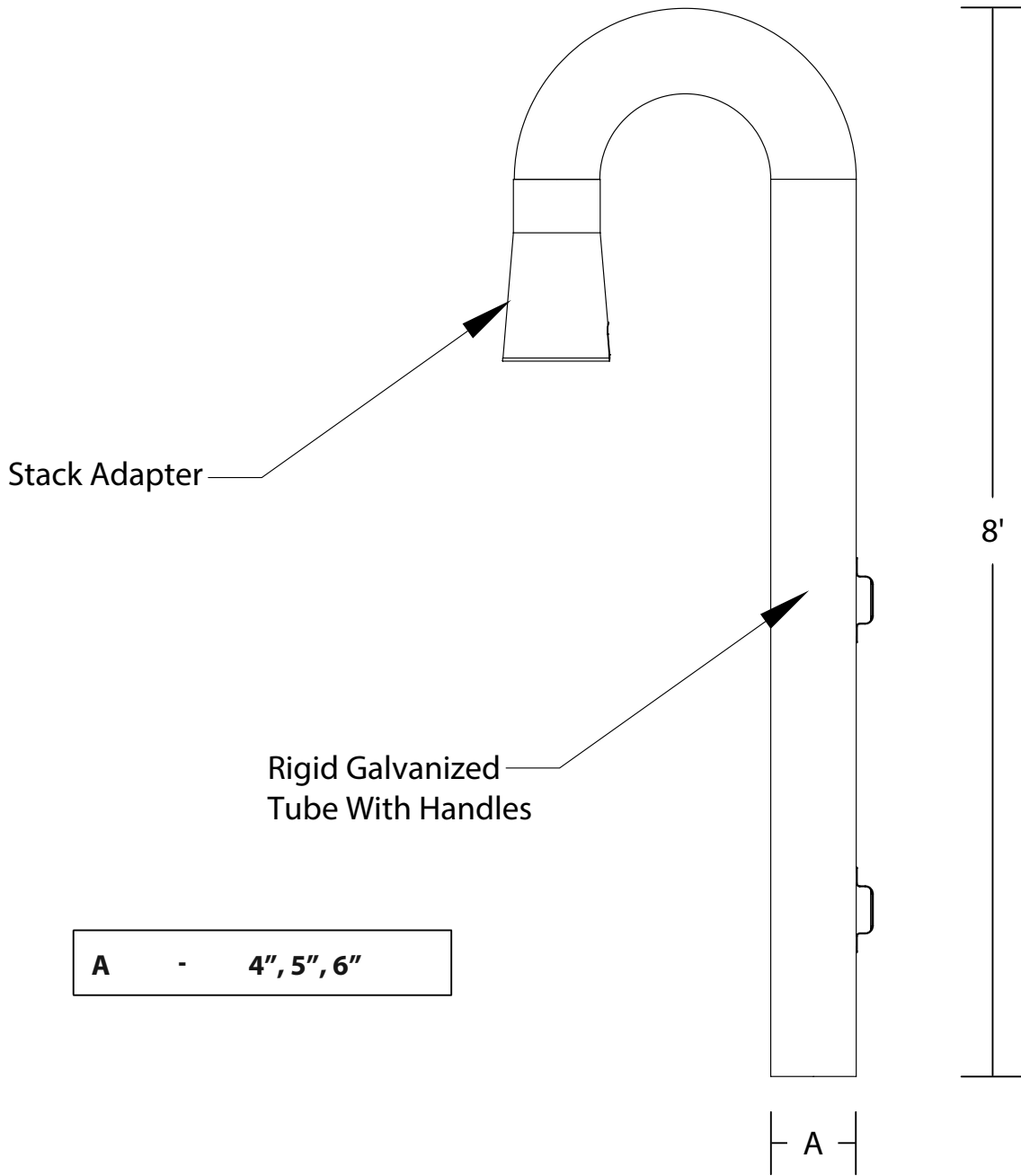
PROJECT: _____
 LOCATION: _____
 ARCHITECT: _____
 ENGINEER: _____
 CONTRACTOR: _____
 DATE: _____ SALES ENGINEER: _____

www.monoxivent.com

info@monoxivent.com

309-794-1000

Page: AC- 13

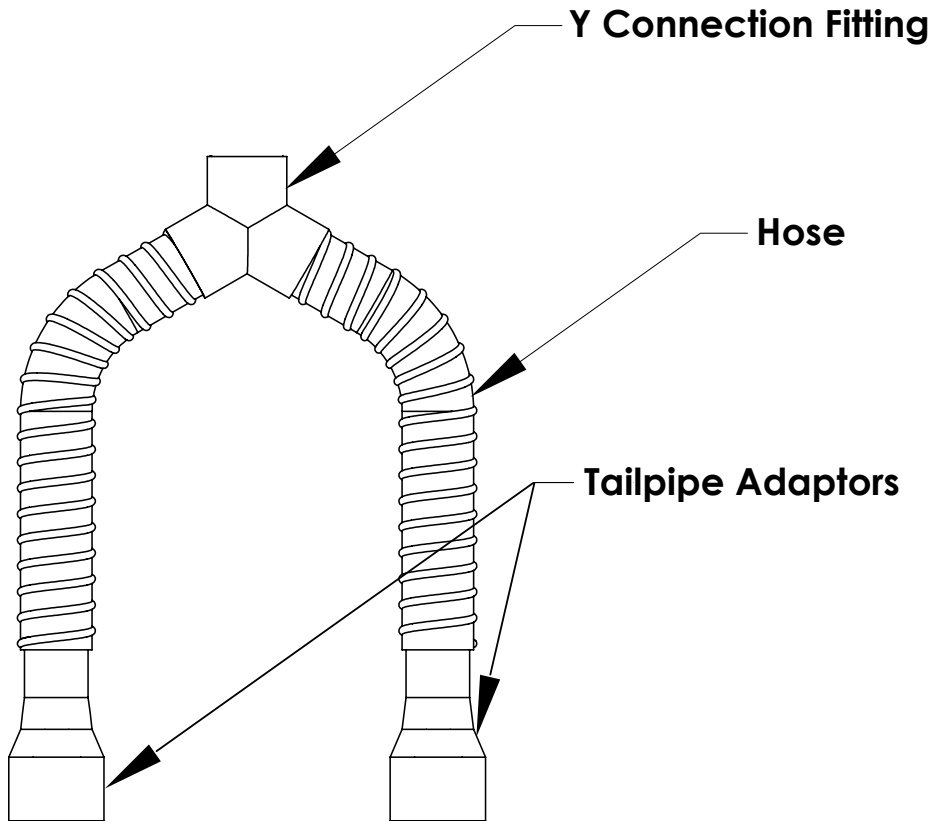


**Optional Stainless Steel & Aluminum available. Consult factory for pricing*

**TECHNICAL
INFORMATION**

In the interest of continuing product improvement,
we reserve the right to change models,
specifications, and/or features without prejudice.

PROJECT: _____
LOCATION: _____
ARCHITECT: _____
ENGINEER: _____
CONTRACTOR: _____
DATE: _____ SALES ENGINEER: _____



NOTE: The Y Kit Assembly is available for various configurations. Please specify your applications and the factory will set-up the required hose lengths, distances, and adapters. Y Kits are offered in 3", 4", 5", and 6" diameters. Hose can be made of "no crush" hose (shown above) or fabric type. Y fitting will be supplied to fit the standard tailpipe adapter, so the assembly can be easily removed or the Y assembly can be permanently fixed to the extraction hose.

Note, Standard hose for Y-Kits is Monoxivent's 3000-Series ("No Crush") Hose, other hose types are available upon request

Note, Standard Y-Kit attached directly to 23827 adapter.

Provided With: _____ Diameter _____ Feet/Hose _____ Series Hose _____ Adapter



Spring Hinged Damper
Series SHD

TECHNICAL INFORMATION

In the interest of continuing product improvement,
we reserve the right to change models,
specifications, and/or features without prejudice.

PROJECT: _____
LOCATION: _____
ARCHITECT: _____
ENGINEER: _____
CONTRACTOR: _____
DATE: _____ SALES ENGINEER: _____

www.monoxivent.com

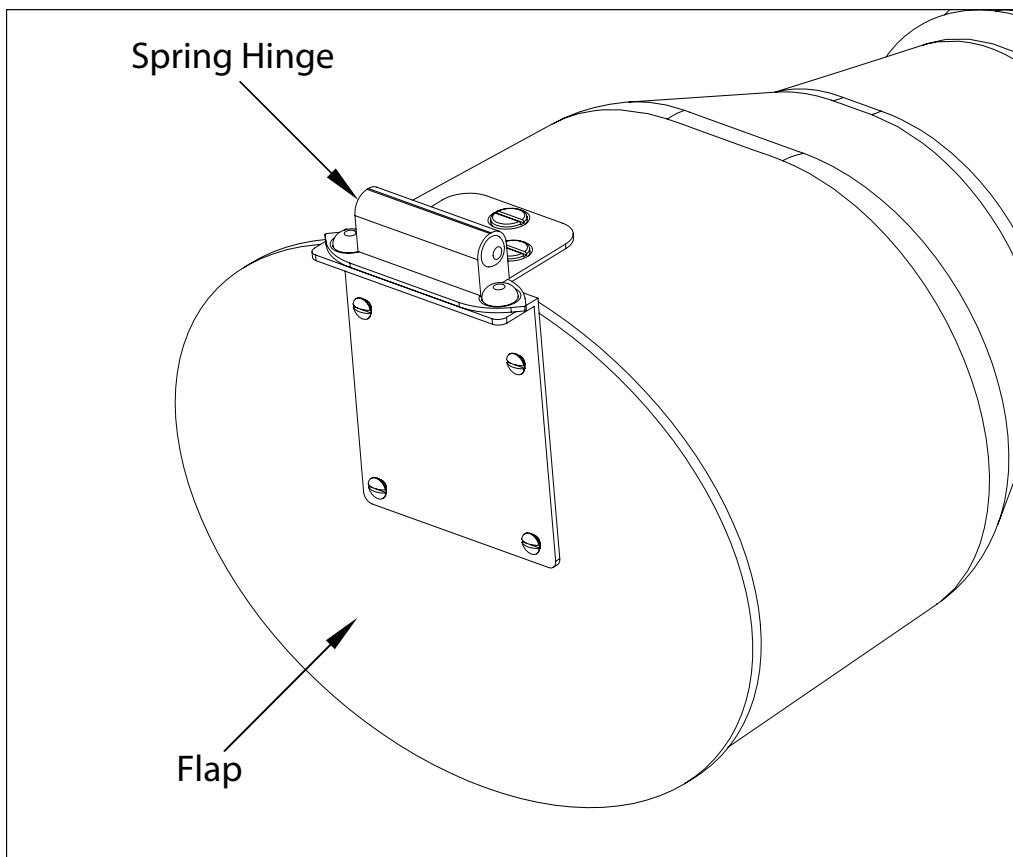
info@monoxivent.com

309-794-1000

Page: AC-15

The SHD is a simple flap that is attached to a spring hinge and then the assembly is secured to the tailpipe nozzle.

The door flap can be used on the 23827 adapter and is constructed of rubber.

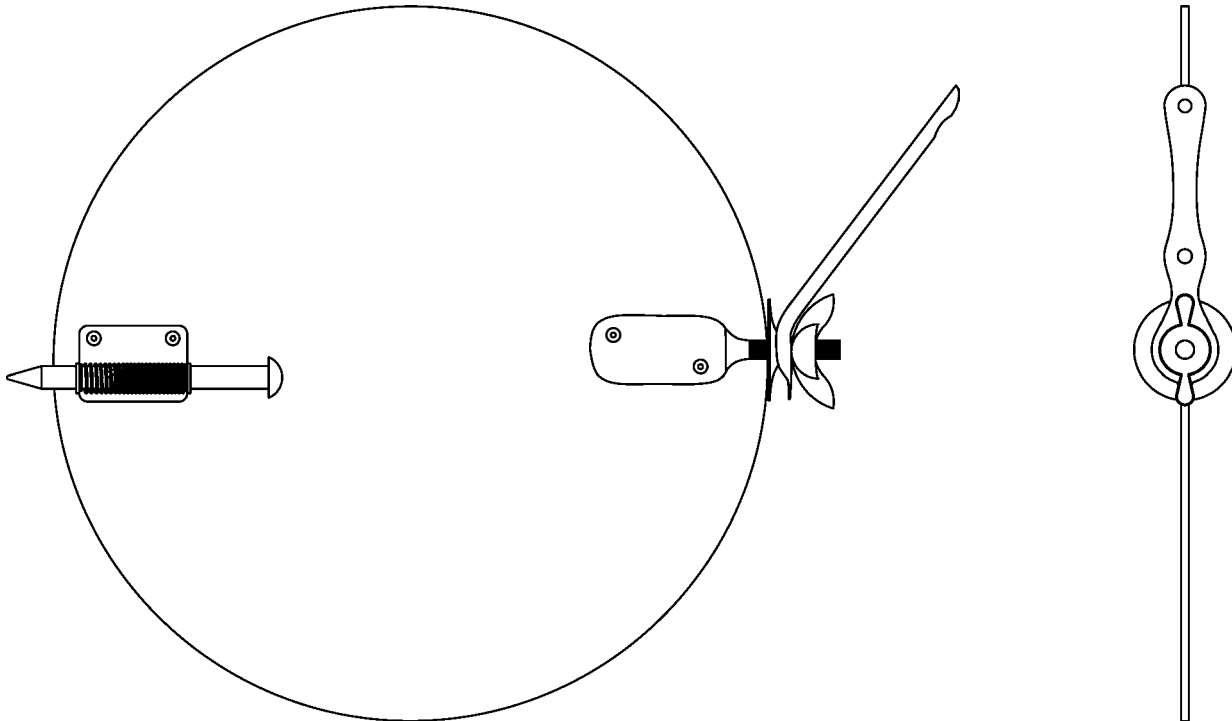


TECHNICAL INFORMATION

In the interest of continuing product improvement,
we reserve the right to change models,
specifications, and/or features without prejudice.

PROJECT: _____
LOCATION: _____
ARCHITECT: _____
ENGINEER: _____
CONTRACTOR: _____
DATE: _____ SALES ENGINEER: _____

LOCKING HAND DAMPER



ACCESSORIES

Locking hand dampers may be used for many applications. The dampers may be used on vehicle exhaust adapters and nozzles, welding cone nozzles, hard duct, or may be spliced into fabric duct.

The locking hand damper is used to shut off air supply to an extraction system that is not in use. The dampers may be provided in many diameters.

<u>Model Number</u>	<u>Diameter</u>
LHD-40	4"
LHD-50	5"
LHD-60	6"
LHD-80	8"

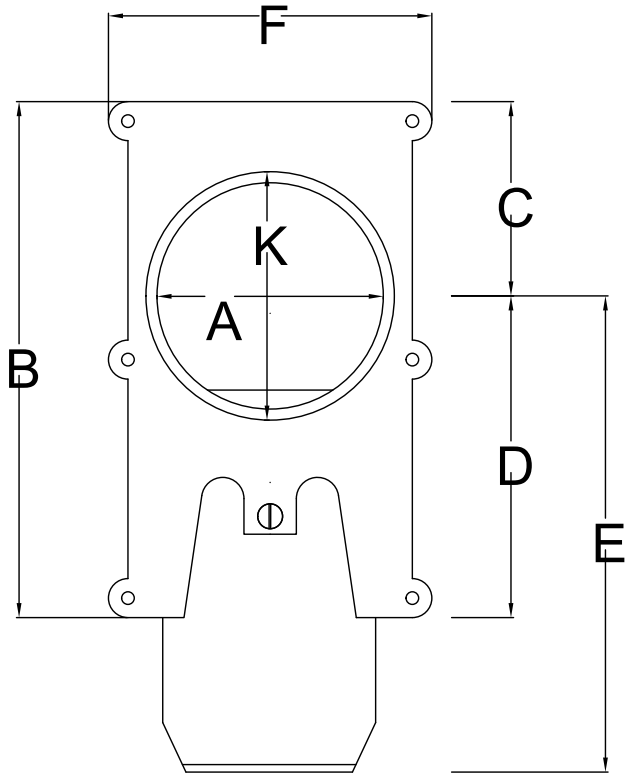
* Other diameters are available. The above diameters are most common.

* Construction: 20-Gauge Stainless Steel.

**TECHNICAL
INFORMATION**

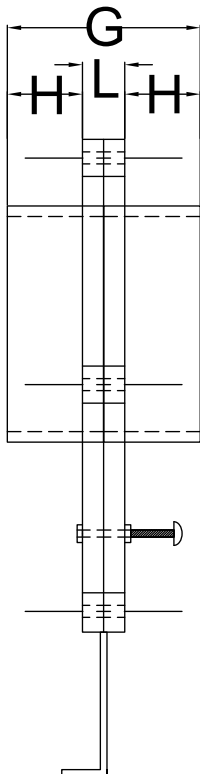
In the interest of continuing product improvement,
we reserve the right to change models,
specifications, and/or features without prejudice.

PROJECT: _____
 LOCATION: _____
 ARCHITECT: _____
 ENGINEER: _____
 CONTRACTOR: _____
 DATE: _____ SALES ENGINEER: _____



Construction:
Cast Aluminum Body
Galvanized Slide

(Optional Stainless Steel Construction available, consult factory.)



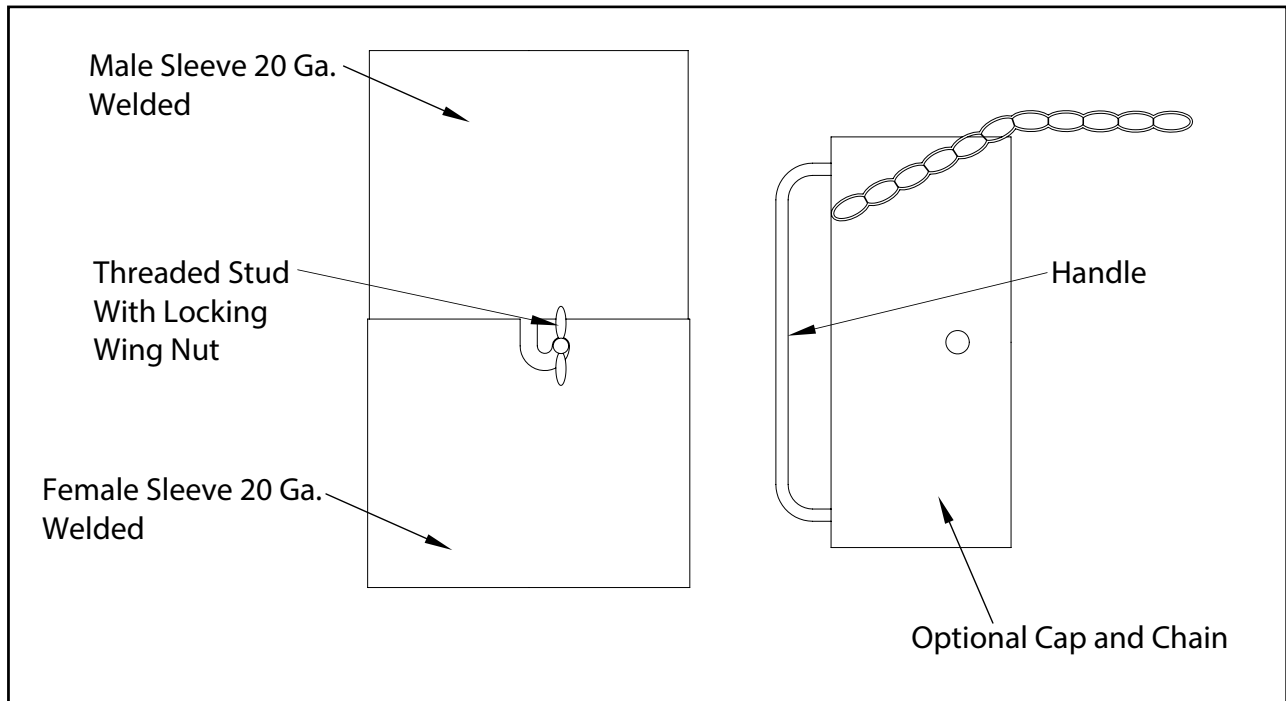
#	Size	A	B	C	D	E	F	G	H	K	L	Wt.
23833	3"	2.75	6.00	2.50	3.50	5.50	5.00	2.75	1.25	2.88	0.25	1.50 lb
23834	4"	3.75	7.50	3.00	4.50	7.25	6.00	3.25	1.50	3.88	0.25	3.00 lb
23835	5"	4.75	9.50	3.50	6.00	9.25	7.00	3.25	1.50	4.88	0.25	3.75 lb
23836	6"	5.75	11.00	4.00	7.00	10.75	8.00	3.25	1.50	5.88	0.25	4.50 lb
23607	7"	6.75	12.50	4.50	8.00	12.75	9.00	3.25	1.50	6.88	0.25	5.00 lb
23608	8"	7.75	13.50	5.00	8.50	14.75	10.00	4.25	2.00	7.88	0.25	6.00 lb
23610	10"	9.75	17.00	6.00	11.00	17.75	12.00	4.25	2.00	9.88	0.25	9.00 lb
23612	12"	11.75	20.25	7.00	13.25	22.25	14.00	4.25	2.00	11.88	0.25	16.00 lb
23614	14"	13.88	24.75	7.50	13.50	25.50	15.75	4.75	2.38	13.38	0.44	16.50 lb
23616	16"	15.88	28.50	8.75	14.00	29.00	18.00	6.75	2.38	15.25	0.44	19.25 lb
23618	18"	17.63	30.50	10.50	20.00	32.25	21.00	7.44	3.50	17.88	0.44	35.50 lb
23620	20"	19.63	35.50	11.50	22.00	35.50	22.25	7.75	3.50	19.88	0.50	43.00 lb

**TECHNICAL
INFORMATION**

In the interest of continuing product improvement, we reserve the right to change models, specifications, and/or features without prejudice.

PROJECT: _____
 LOCATION: _____
 ARCHITECT: _____
 ENGINEER: _____
 CONTRACTOR: _____
 DATE: _____ SALES ENGINEER: _____

* Each Coupler Can be Supplied Separately (If Needed)



CONSTRUCTION: 304 Stainless Steel - 20 Gauge

Standard Sizes

<u>Model</u>	<u>Diameter</u>	<u>Cap & Chain Model</u>	<u>Diameter</u>
MC-3	3"	CC-3	3"
MC-4	4"	CC-4	4"
MC-5	5"	CC-5	5"
MC-6	6"	CC-6	6"
MC-8	8"	CC-8	8"

Optional Sizes

<u>Model</u>	<u>Diameter</u>	<u>Cap & Chain Model</u>	<u>Diameter</u>
MC-10	10"	CC-10	10"
MC-12	12"	CC-12	12"
MC-14	14"	CC-14	14"
MC-16	16"	CC-16	16"
MC-18	18"	CC-18	18"

Typical use for the couplers is when needed changing of accessories is required. Hose and adapters can be supplied with couplers. The typical use for the cap and chain is for the chain to be attached to the body of the female coupler and when there is not an accessory on the female coupler, the cap can then be attached to the female. The male/female coupler components, in many cases, make it easy to change a system over to meet demands. It is a simple matter of pushing the male into female and to turn, therefore locking in place.



360-degree Swivel Series
(Part Number: SCF)

TECHNICAL INFORMATION

In the interest of continuing product improvement,
we reserve the right to change models,
specifications, and/or features without prejudice.

PROJECT: _____
 LOCATION: _____
 ARCHITECT: _____
 ENGINEER: _____
 CONTRACTOR: _____
 DATE: _____ SALES ENGINEER: _____

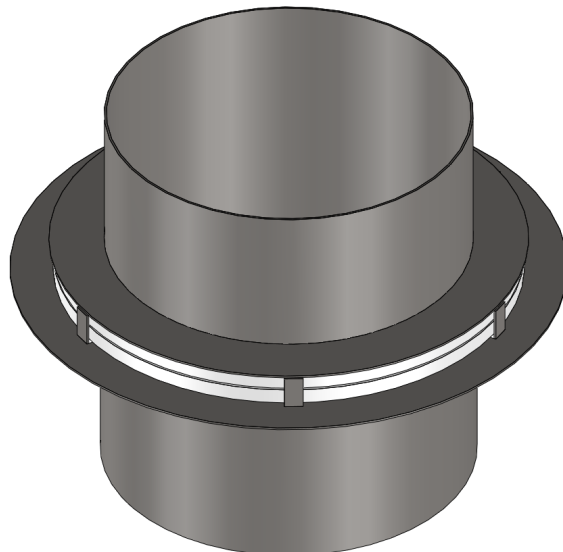
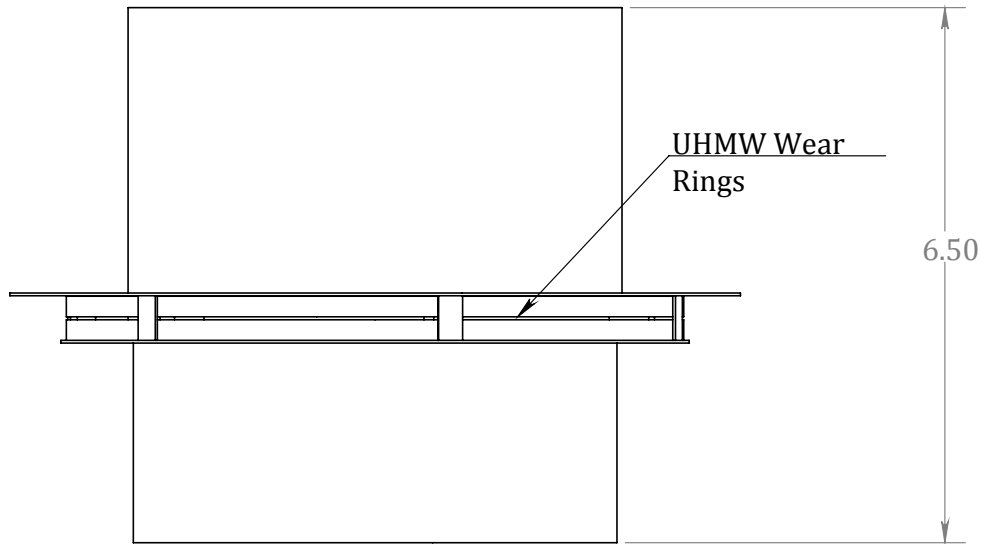
www.monoxivent.com

info@monoxivent.com

309-794-1000

Page: AC-19

SWIVEL CONNECTION FITTING



<u>Model #:</u>	<u>Size</u>
SCF - 4	4"
SCF - 5	5"
SCF - 6	6"
SCF - 8	8"
SCF - 10	10"
SCF - 12	12"

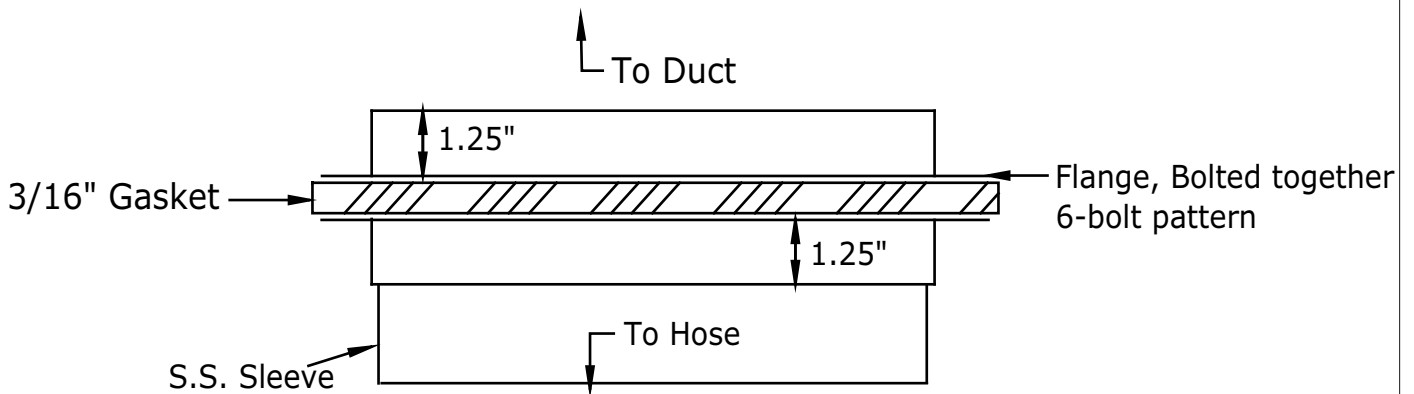
CONSTRUCTION: 304 Stainless Steel

**TECHNICAL
INFORMATION**

In the interest of continuing product improvement,
we reserve the right to change models,
specifications, and/or features without prejudice.

PROJECT: _____
LOCATION: _____
ARCHITECT: _____
ENGINEER: _____
CONTRACTOR: _____
DATE: _____ SALES ENGINEER: _____

**SIDE VIEW, CF
SERIES**



Straight duct connection flange: 4", 5", 6", 7", 8" 10"

Construction:

4" and 5" - 10 Ga. Steel

6", 7", 8" and 10" - 1/8" Hot rolled Steel

*Larger sizes available upon request, consult factory for pricing

*Stainless steel construction available, consult factory for pricing

**TECHNICAL
INFORMATION**

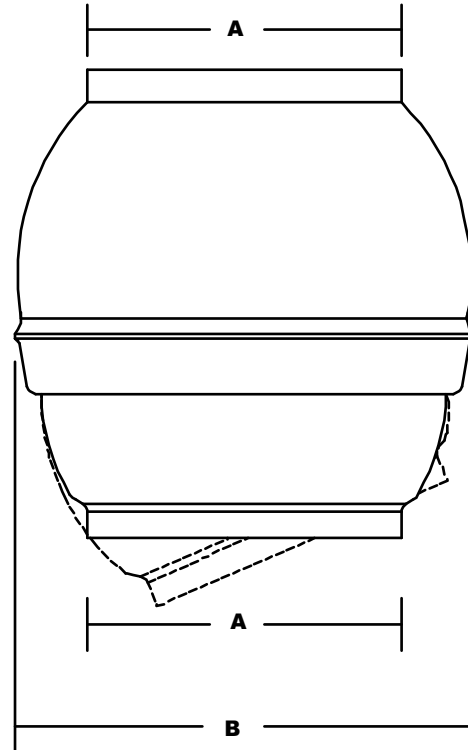
In the interest of continuing product improvement, we reserve the right to change models, specifications, and/or features without prejudice.

PROJECT: _____
 LOCATION: _____
 ARCHITECT: _____
 ENGINEER: _____
 CONTRACTOR: _____
 DATE: _____ SALES ENGINEER: _____

BALL JOINT CONSTRUCTION: GALVANIZED

Model

23202	-	For 2"
23203	-	For 3"
23204	-	For 4"
23205	-	For 5"
23206	-	For 6"
23207	-	For 7"
23208	-	For 8"
23209	-	For 9"
23210	-	For 10"
23212	-	For 12"
23214	-	For 14"



A	B
2"	5 1/2"
3"	5 3/8"
4"	7 1/2"
5"	9"
6"	10 3/8"
7"	10 3/8"
8"	13"
9"	14 5/8"
10"	14 3/4"
12"	16 1/2"
14"	20"

NOTE: Average degree of swivel: 27-Degrees

NOTE: The ball joint swivel is offered as an option for connecting flex duct to hard duct. In some cases, the swivel allows for easy positioning of the flex hose. The ball joint swivel can be used for vehicle extraction systems, welding smoke extraction systems, or any type of system where greater flexibility is required at the connection point.

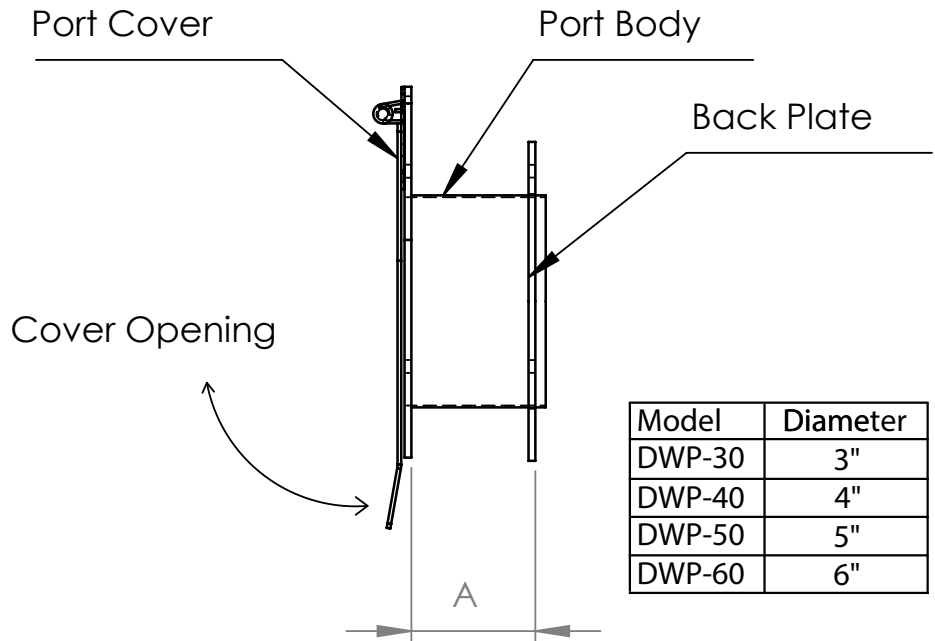
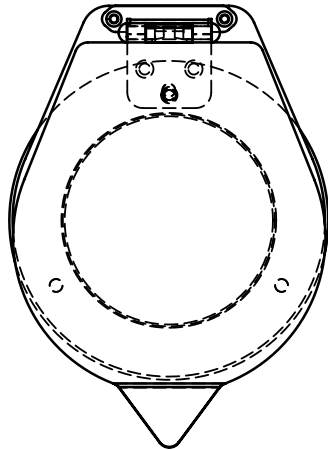


**TECHNICAL
INFORMATION**

In the interest of continuing product improvement, we reserve the right to change models, specifications, and/or features without prejudice.

PROJECT: _____
 LOCATION: _____
 ARCHITECT: _____
 ENGINEER: _____
 CONTRACTOR: _____
 DATE: _____ SALES ENGINEER: _____

DOOR/WALL PORT



CONSTRUCTION: STAINLESS STEEL

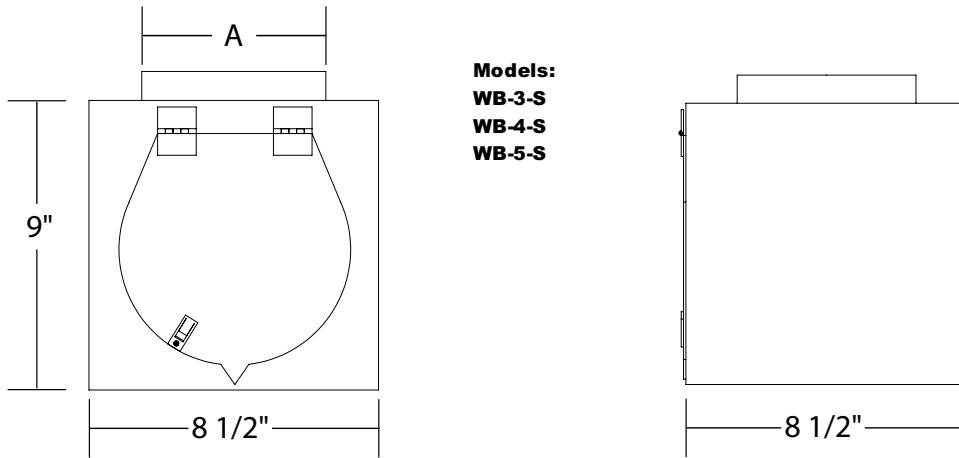
- A** - Doors and walls may vary in thickness. Specify the required thickness for the door or wall. Dimension A will be manufactured to the correct thickness for installation. Standard pricing in place up to 1 3/4" thickness, additional cost incurred for thicker doors/walls.
- B** - The port opening will be manufactured based upon the diameter and type hose that is to be supplied for the port. Standard port opening is for 3", 4", 5", 6", or 8" hose. Crushproof or metal interlock hose can be used with the ports.

**TECHNICAL
INFORMATION**

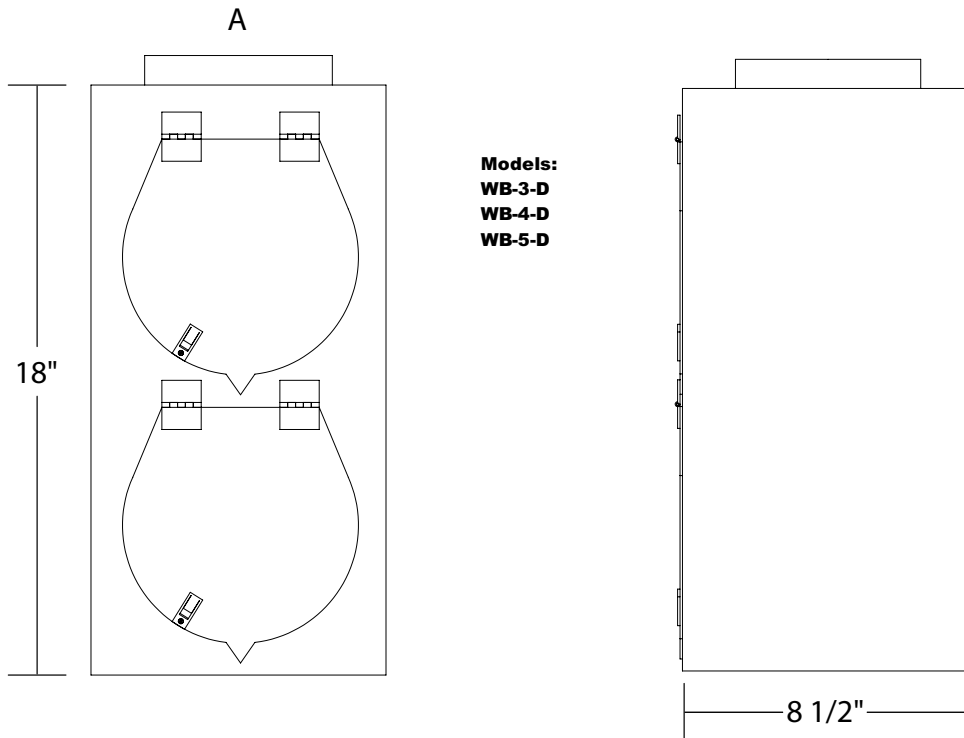
In the interest of continuing product improvement,
we reserve the right to change models,
specifications, and/or features without prejudice.

PROJECT: _____
 LOCATION: _____
 ARCHITECT: _____
 ENGINEER: _____
 CONTRACTOR: _____
 DATE: _____ SALES ENGINEER: _____

WALL BOX FOR SINGLE HOSE



WALL BOX FOR DUAL HOSES



A - Dimension supplied per request or based upon CFM requirement.



Hose Storage Rack
Series - HR

TECHNICAL INFORMATION

In the interest of continuing product improvement,
we reserve the right to change models,
specifications, and/or features without prejudice.

PROJECT: _____
 LOCATION: _____
 ARCHITECT: _____
 ENGINEER: _____
 CONTRACTOR: _____
 DATE: _____ SALES ENGINEER: _____

www.monoxivent.com

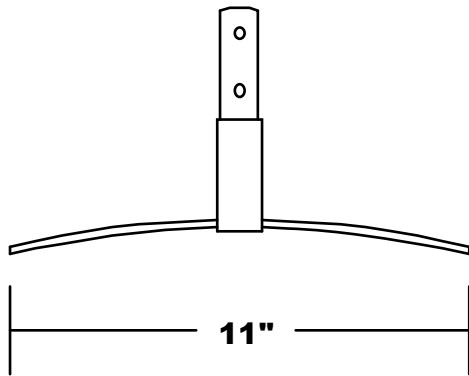
info@monoxivent.com

309-794-1000

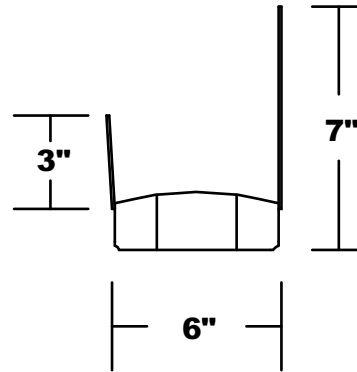
Page: AC-24

HOSE STORAGE RACK

Front View



Side View



ACCESSORIES

The Series HR Hose Storage Rack is designed for wall or column mounting. The mounting height is based on the amount of hose length to be stored. The hose rack is secured to the wall/column and hose is simply laid across the curved support plate. The hose rack is constructed of 12GA steel and is reinforced for strength and longevity. The hose rack is supplied with pre-drilled mounting holes for easy installation.



TECHNICAL INFORMATION

In the interest of continuing product improvement, we reserve the right to change models, specifications, and/or features without prejudice.

PROJECT: _____
LOCATION: _____
ARCHITECT: _____
ENGINEER: _____
CONTRACTOR: _____
DATE: _____ SALES ENGINEER: _____

www.monoxivent.com

info@monoxivent.com

309-794-1000

Page: AC-25

THIS PAGE LEFT INTENTIONALLY BLANK

DISCONTINUED PRODUCT:

DETECTION - STAND ALONE SERIES FDS-SA



TECHNICAL INFORMATION

In the interest of continuing product improvement, we reserve the right to change models, specifications, and/or features without prejudice.

PROJECT: _____
LOCATION: _____
ARCHITECT: _____
ENGINEER: _____
CONTRACTOR: _____
DATE: _____ SALES ENGINEER: _____

www.monoxivent.com

info@monoxivent.com

309-794-1000

Page: AC-26

THIS PAGE LEFT INTENTIONALLY

BLANK DISCONTINUED PRODUCT:

DETECTION CONTROL PANEL, FOR REMOTE SENSORS - SERIES FDS-CS



TECHNICAL INFORMATION

In the interest of continuing product improvement, we reserve the right to change models, specifications, and/or features without prejudice.

PROJECT: _____
LOCATION: _____
ARCHITECT: _____
ENGINEER: _____
CONTRACTOR: _____
DATE: _____ SALES ENGINEER: _____

www.monoxivent.com

info@monoxivent.com

309-794-1000

Page: AC-27

THIS PAGE LEFT INTENTIONALLY

BLANK DISCONTINUED PRODUCT:

DETECTION - REMOTE SENSOR
SERIES CS-RS-CO, SERIES CS-RS-NO2, SERIES CS-RS-CH4



TECHNICAL INFORMATION

In the interest of continuing product improvement, we reserve the right to change models, specifications, and/or features without prejudice.

PROJECT: _____
LOCATION: _____
ARCHITECT: _____
ENGINEER: _____
CONTRACTOR: _____
DATE: _____ SALES ENGINEER: _____

www.monoxivent.com

info@monoxivent.com

309-794-1000

Page: AC-28

THIS PAGE LEFT INTENTIONALLY

BLANK DISCONTINUED PRODUCT:

Detection with Remote Sensor Series CS-RS-CO,
Series CS-RS-NO2

TECHNICAL INFORMATION

In the interest of continuing product improvement,
we reserve the right to change models,
specifications, and/or features without prejudice.

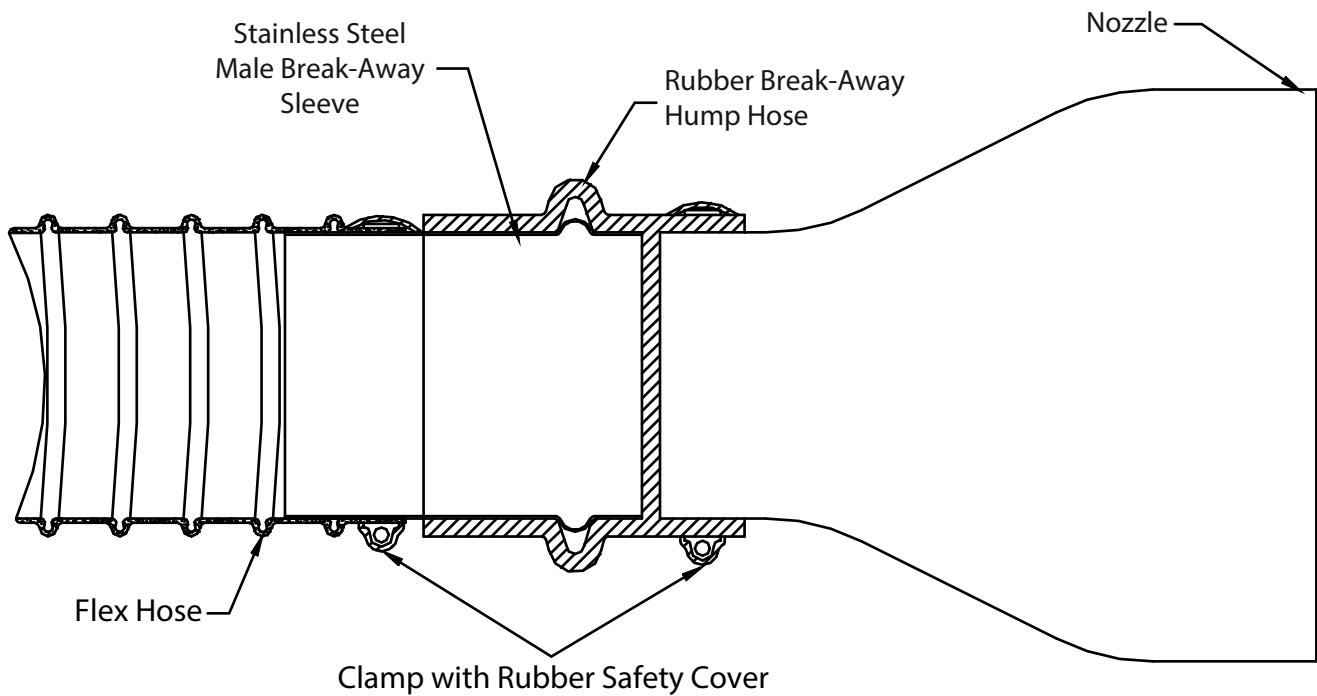
PROJECT: _____
LOCATION: _____
ARCHITECT: _____
ENGINEER: _____
CONTRACTOR: _____
DATE: _____ SALES ENGINEER: _____

www.monoxivent.com

info@monoxivent.com

309-794-1000

Page: AC-29



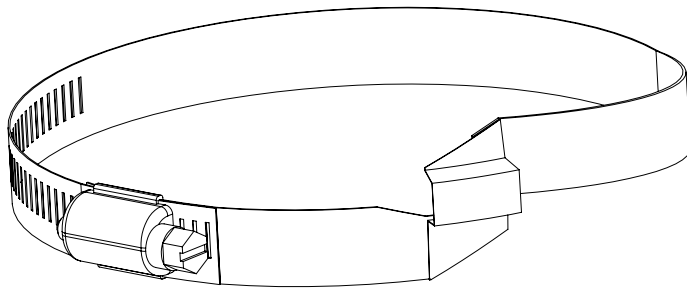
Available in 4", 5", 6", and 8" Diameters

TECHNICAL INFORMATION

In the interest of continuing product improvement,
we reserve the right to change models,
specifications, and/or features without prejudice.

PROJECT: _____
LOCATION: _____
ARCHITECT: _____
ENGINEER: _____
CONTRACTOR: _____
DATE: _____ SALES ENGINEER: _____

BRIDGE CLAMP

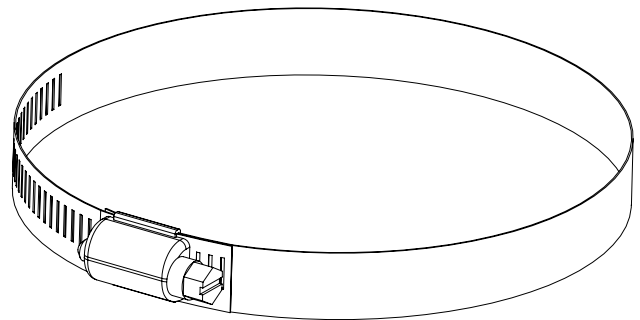


Used for flex with external helix.

Model Numbers

BC-3	for	3" hose
BC-4	for	4" hose
BC-5	for	5" hose
BC-6	for	6" hose
BC-7	for	7" hose
BC-8	for	8" hose
BC-9	for	9" hose
BC-10	for	10" hose
BC-12	for	12" hose
BC-14	for	14" hose
BC-16	for	16" hose
BC-18	for	18" hose
BC-20	for	20" hose
BC-22	for	22" hose
BC-24	for	24" hose

WORM GEAR CLAMP



Used for flex with internal helix.

Model Numbers

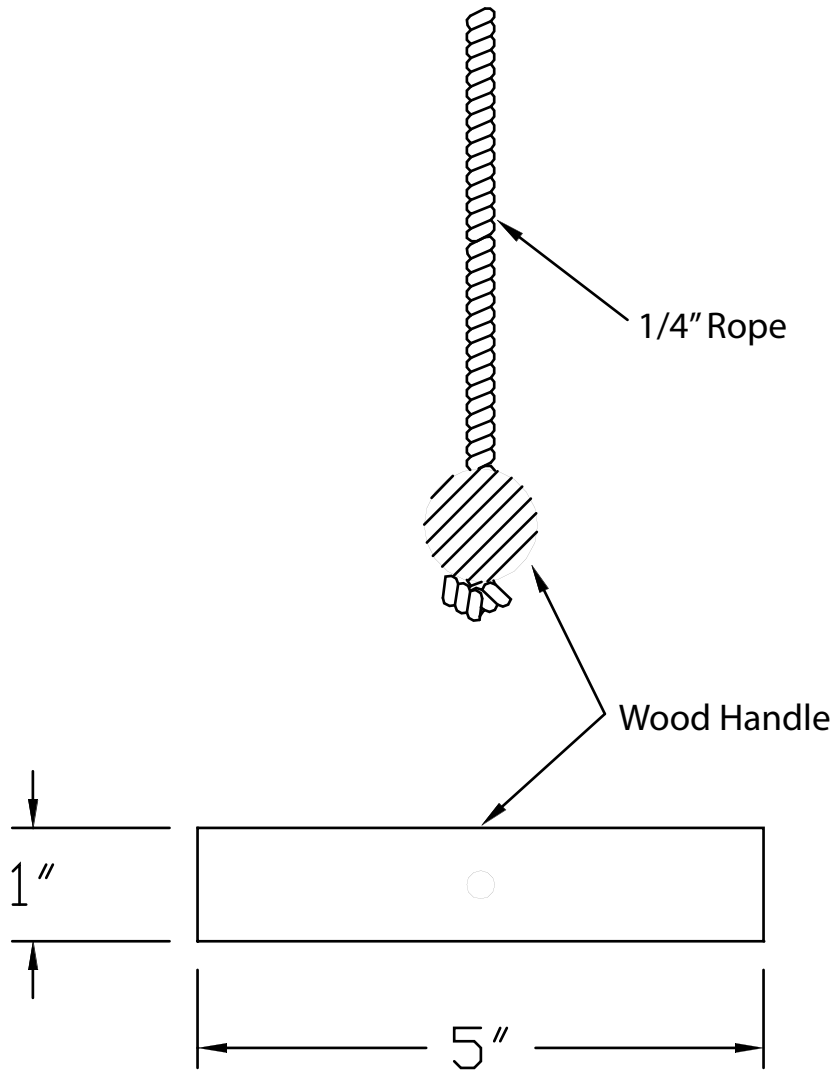
23905	for	3" hose
23456	for	4", 5", 6" hose
23909	for	8" hose
23910	for	10" hose

TECHNICAL INFORMATION

In the interest of continuing product improvement,
we reserve the right to change models,
specifications, and/or features without prejudice.

PROJECT: _____
LOCATION: _____
ARCHITECT: _____
ENGINEER: _____
CONTRACTOR: _____
DATE: _____ SALES ENGINEER: _____

23859-T PULL DOWN ROPE WITH T-HANDLE





Snowmobile Exhaust Adapter

TECHNICAL INFORMATION

In the interest of continuing product improvement, we reserve the right to change models, specifications, and/or features without prejudice.

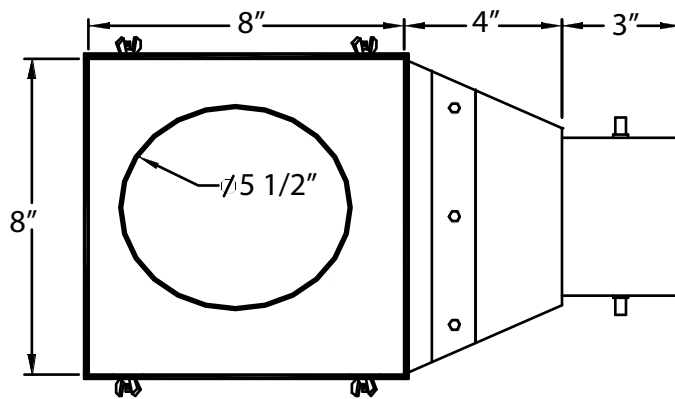
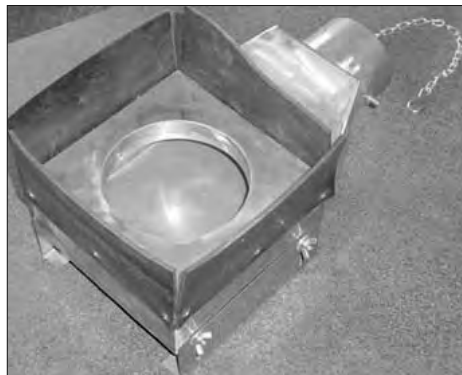
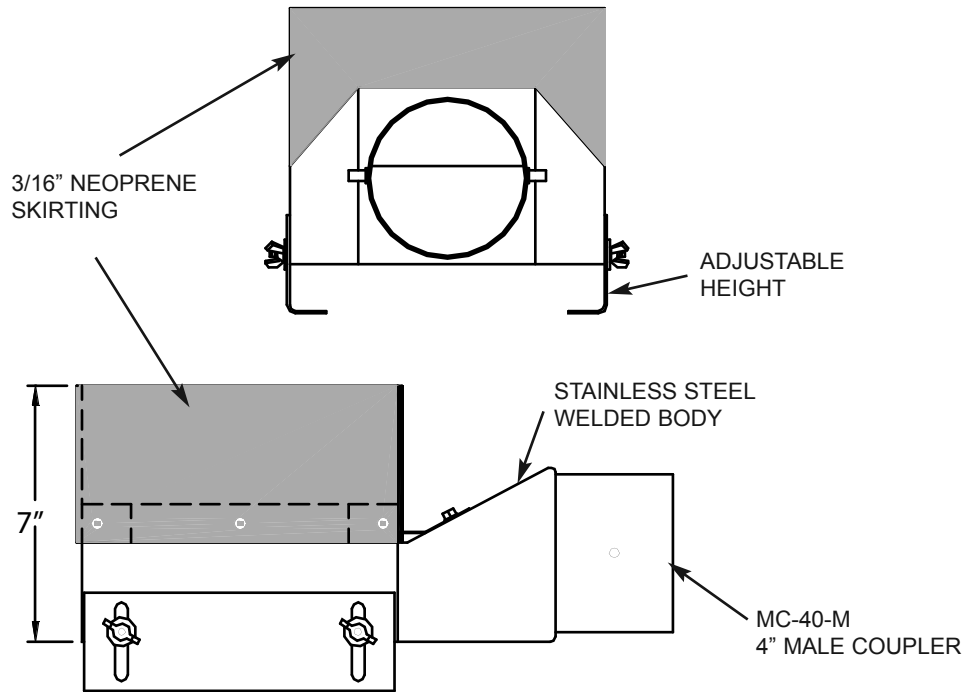
PROJECT: _____
 LOCATION: _____
 ARCHITECT: _____
 ENGINEER: _____
 CONTRACTOR: _____
 DATE: _____ SALES ENGINEER: _____

www.monoxivent.com

info@monoxivent.com

309-794-1000

Page: AC-32



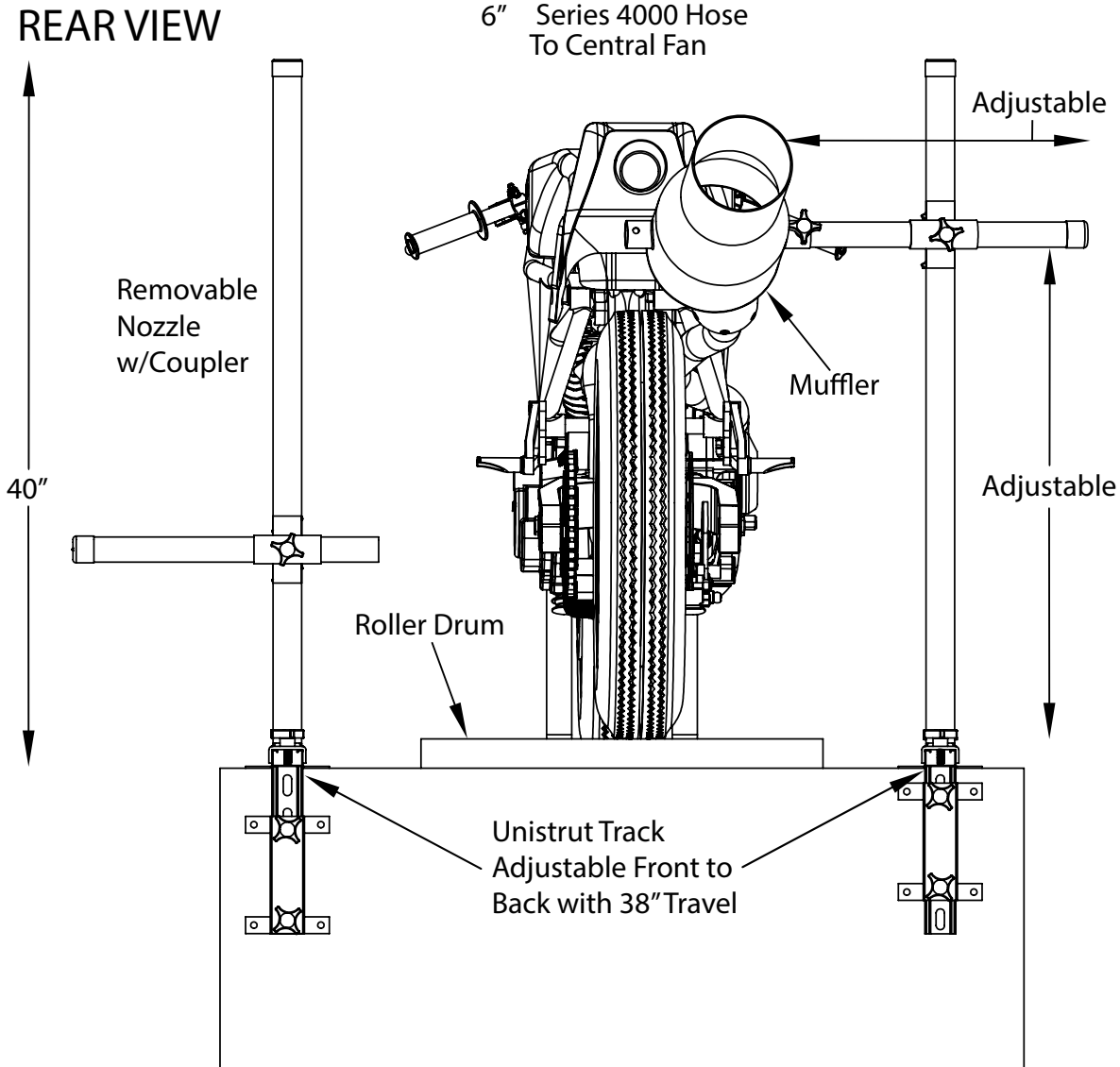
ACCESSORIES

**TECHNICAL
INFORMATION**

In the interest of continuing product improvement,
we reserve the right to change models,
specifications, and/or features without prejudice.

PROJECT: _____
LOCATION: _____
ARCHITECT: _____
ENGINEER: _____
CONTRACTOR: _____
DATE: _____ SALES ENGINEER: _____

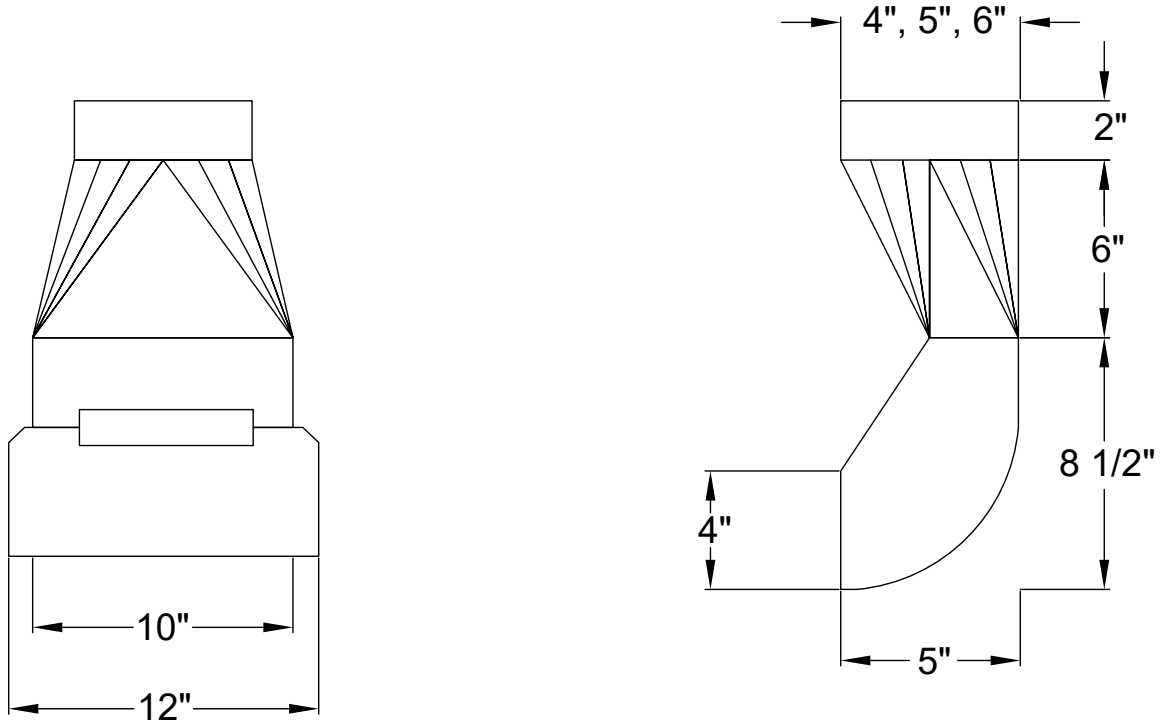
MOTORCYCLE DYNO PACKAGE



CONSISTS OF:

- 2 - Removable Slide Base
- 1 - 10'x6" Series 4000 Flex Hose
- 1 - Removable 6" Metal Nozzle w/Coupler
- 1 - 6"x5"x5" Y-Kit with 2 - 4'x5" Series 4000 Flex Hose and 2 - 5" Removable Metal Nozzle with Coupler
- 1 - D20-3 Blower with 1200 CFM @ 3.5" SP, 2 HP TEFC 230/460/3 Motor and Wall Bracket

FLOOR SWEEPS - 4", 5", 6"



Floor sweeps are manufactured from 20-gauge galvanized steel for strength and rigidity. A continuous piano hinge connects the door to the ything. Available in 4", 5", or 6" models. Other sizes - fabrication available, please consult factory.

- Provided with kick open door



Specifications

Size	4 1/2 x 4 x 2 1/8 in. (11.4 X 10.2 X 5.4 cm)
Weight	1 pound (0.45 kg)
Voltage/Current	12-Series Power: 100-240 VAC (50 to 60 HZ) Current: 1.0 A MAX
Operating Temperature	-4°F to 122°F (-20°C to 50°C)
Ambient Humidity	10-90% RH non-condensing
Display	LED (can turn on/off)
Current Loop	Analog: 4-20mA
Mounting	4" x 4" electrical box
Relays	5A Fan relay & 0.5A alarm relay User adjustable settings
Certifications	ETL Listed *See detector manual for additional certifications
Warranty	Two year limited warranty



Grey Housing (Standard)

Key Features

- Easy installation to 4x4 electrical boxes via mud plate
- User selectable settings (Default to industry standards) via two-button interface
- 5 A SPDT fan relay, 0.5A alarm relay to control fans, valves, louvers, horn and strobes
- 4-20mA output to control VFDs and send to BMS
- LED display to show gas concentrations easily

Model Number	Gas Type
FDS-SA-CX-12	Carbon Monoxide (CO) & Nitrogen Dioxide (NO ₂)
FDS-SA-CM-12	Carbon Monoxide (CO)
FDS-SA-GD-12	Propane (LP) Methane (NG) Hydrogen (H ₂)
FDS-SA-TX-12-ND	Nitrogen Dioxide (NO ₂)

Model Number	Range (Units)	Low Level Alarm Adjustable (Default)	High Level Alarm Adjustable (Default)	Expected Sensor Life	Recommended Coverage Area*
FDS-SA-CX-12	(CO) 0-200 PPM (NO ₂) 0-20 PPM	Refer to CM-6 (CO) & TX-6-ND (NO ₂)	Refer to CM-6 (CO) & TX-6-ND (NO ₂)	2 Years**	Up to 7,500 sq. ft.
FDS-SA-CM-12	0-200 PPM	0, 15, 25, 35, 50 or 100 PPM	0, 50, 100, 150 or 200 PPM	10 Years	Up to 7,500 sq. ft.
FDS-SA-GD-12	0-50% LEL	0, 3, 4, 5, 6, 7, 8, 9, 10, 11, 12, 13, 14, 15, 16, 17, 18, 19, 20% LEL	OFF, 5, 10, 15, 20, 25% LEL	5 Years	Up to 1,257 sq. ft.
FDS-SA-TX-12-ND	0-20 PPM	0, 0.5, 0.7, 1.0, 1.2, 1.5, 1.7, 2.0, 2.2, 2.5, 2.7, 3.0, 3.2, 3.5, 3.7, 4.0, 4.2, 4.5, 4.7, 5.0 PPM	0-20 PPM, (5 PPM default)	2 Years**	Up to 7,500 sq. ft.

** Replaceable Sensor *Coverage Area is Application Dependent



Specifications

Size	4 1/2 x 4 x 2 1/8 in. (11.4 X 10.2 X 5.4 cm)
Weight	1 pound (0.45 kg)
Voltage/Current	<i>6-Series</i> Power: 3 W (max) from 12 to 24 VAC or 12 to 32 VDC :Current @ 24 VDC: 75 mA in alarm, 50 mA fan relay on and 23 mA stand by
Operating Temperature	-4°F to 122°F (-20°C to 50°C)
Ambient Humidity	10-90% RH non-condensing
Display	LED (can turn on/off)
Current Loop	Analog: 4-20mA MRS-485: Digital Modbus adapter (Optional) BRS-485: BMS communication (Optional)
Mounting	4" x 4" electrical box
Relays	5A Fan relay & 0.5A alarm relay User adjustable settings
Certifications	ETL Listed *See detector manual for additional certifications
Warranty	Two year limited warranty



Grey Housing (Standard)

Key Features

- Easy installation to 4x4 electrical boxes via mud plate
- User selectable settings (Default to industry standards) via two-button interface
- 5 A SPDT fan relay, 0.5A alarm relay to control fans, valves, louvers, horn and strobes
- 4-20mA output to control VFDs and send to BMS
- LED display to show gas concentrations easily

Model Number	Gas Type
FDS-RS-CX-6	Carbon Monoxide (CO) & Nitrogen Dioxide (NO ₂)
FDS-RS-CM-6	Carbon Monoxide (CO)
FDS-RS-GD-6	Propane (LP) Methane (NG) Hydrogen (H ₂)
FDS-RS-TX-6-ND	Nitrogen Dioxide (NO ₂)

Model Number	Range (Units)	Low Level Alarm Adjustable (Default)	High Level Alarm Adjustable (Default)	Expected Sensor Life	Recommended Coverage Area*
FDS-RS-CX-6	(CO) 0-200 PPM (NO ₂) 0-20 PPM	Refer to CM-6 (CO) & TX-6-ND (NO ₂)	Refer to CM-6 (CO) & TX-6-ND (NO ₂)	2 Years**	Up to 7,500 sq. ft.
FDS-RS-CM-6	0-200 PPM	0, 15, 25, 35, 50 or 100 PPM	0, 50, 100, 150 or 200 PPM	10 Years	Up to 7,500 sq. ft.
FDS-RS-GD-6	0-50% LEL	0, 3, 4, 5, 6, 7, 8, 9, 10, 11, 12, 13, 14, 15, 16, 17, 18, 19, 20% LEL	OFF, 5, 10, 15, 20, 25% LEL	5 Years	Up to 1,257 sq. ft.
FDS-RS-TX-6-ND	0-20 PPM	0, 0.5, 0.7, 1.0, 1.2, 1.5, 1.7, 2.0, 2.2, 2.5, 2.7, 3.0, 3.2, 3.5, 3.7, 4.0, 4.2, 4.5, 4.7, 5.0 PPM	0-20 PPM, (5 PPM default)	2 Years**	Up to 7,500 sq. ft.

** Replaceable Sensor *Coverage Area is Application Dependent



MacURCO™
BUILDING & HOME SOLUTIONS

Specifications

Size	10.5" x 12.5" x 2.1" (10.5 X 37.75 X 5.08 cm)
Weight	6.5 lbs (2.9 kg)
Voltage/Current	Power Input: 90 – 250 VAC, 1 Amp, 47 – 63 Hz, single phase
Operating Temperature	32°F to 120°F (0°C to 49°C)
Ambient Humidity	0% to 90% RH non-condensing
Display	LCD display: 2 rows of 16 characters with backlight
Mounting	Mounting holes in each corner
Relays	Three 10A, 240 VAC SPDT fan/alarm relays
Settings	External keypad for user selection of the transducer/alarm display and setting the configuration
Status Indicators	(LED): Power, ALARM/warning, hush, Relay 1, Relay 2 & Relay 3
Alarms	Drivers for external Horn and Strobe, externally visible system, alarm and relay status indicators
Enclosure	Lockable NEMA 1 type enclosure
Certifications	ETL Listed to UL 2017 CAN/CSA-C22.2 No. 14-13, LADBS Approved
Warranty	Two Year Limited Warranty



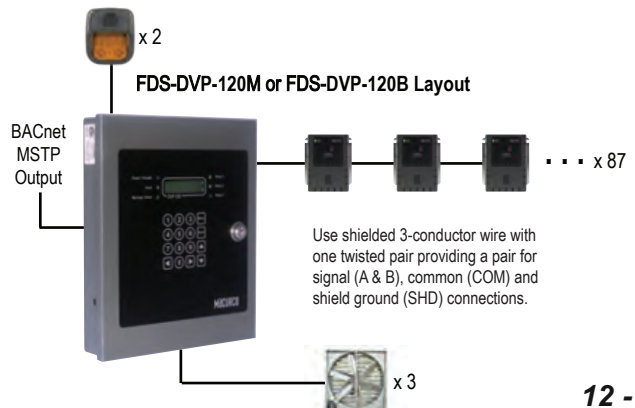
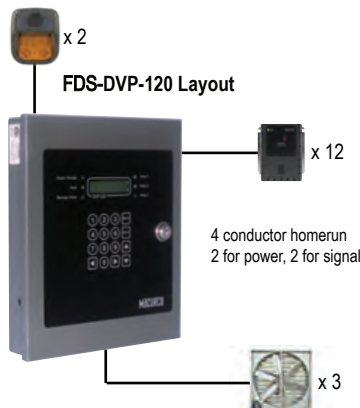
Key Features

- FDS-DVP-120: 12 analog (4-20mA) sensor connections
- FDS-DVP-120M: 87 digital sensor connections (RS-485) +12 analog (4-20mA) sensor connections
- Three 10A SPDT fan/alarm relays
- Two 24VDC drivers for horn/strobe
- Compatible with Macurco 6-Series
- Auto recognizes Macurco detectors
- Settings are customizable, default is per OSHA
- FDS-DVP-120B: BACnet MSTP output
- DVP-120C: Title 24 compliant (CO & NO2 only)

Model Number	Description
FDS-DVP-120	12 Analog Connections
FDS-DVP-120M	87 Addressable Connections
FDS-DVP-120B	BACnet - 99 Digital Connections
FDS-DVP-120C	BACnet - 99 Digital Connections (California)

Includes MAC10AMP Power Supply

Control Panel Layouts




**TECHNICAL
INFORMATION**

In the interest of continuing product improvement, we reserve the right to change models, specifications, and/or features without prejudice.

PROJECT: _____
 LOCATION: _____
 ARCHITECT: _____
 ENGINEER: _____
 CONTRACTOR: _____
 DATE: _____ SALES ENGINEER: _____

FDS-DVP-1200

Specifications

Size	13" x 10" x 2.75" (33 X 25.4 X 6.9 cm)
Weight	12.4 lbs (5.6 kg)
Voltage/Current	Power Input: 100 – 240 VAC 1 Amp, 50/60 Hz, single phase
Operating Temperature	32°F to 104°F (0°C to 40°C)
Ambient Humidity	0% to 95% RH non-condensing
Display	LCD display: 320 x 240 Pixels Graphic with backlight
Mounting	Mounting holes in each corner
Relays	4 SPDT, 120/240 VAC, 10 A Max (resistive) Optional additional relay boards (+2 or +4) Optional remote relays (up to 4)
Settings	External keypad for user selection of the transducer/alarm display and setting the configuration
Status Indicators	Power / trouble, hush, warning / alarm, and relay
Alarms	Internal buzzer, 90 dBA at 1ft
Enclosure	NEMA4X rated
Certifications	ETL Listed to UL 2017 
Warranty	Two year limited warranty



Key Features

- Three RS-485 channels can connect up to 192 detectors (64 per channel)
- Up to 12 relays
 - Standard with four onboard relays
 - Up to four optional onboard expansion relays (+2 or +4) - Consult Factory for additional costs
 - Can be connected to two remote relay boxes (two relays in each box)
- (3) 4-20mA outputs for VFD control
- (4) 24VDC outputs for alarm, trouble, remote notification
- BACnet IP (ethernet connection)
- Lockable NEMA4X type enclosure
- Total of eight zones can be defined
- Event logging

Standard Description

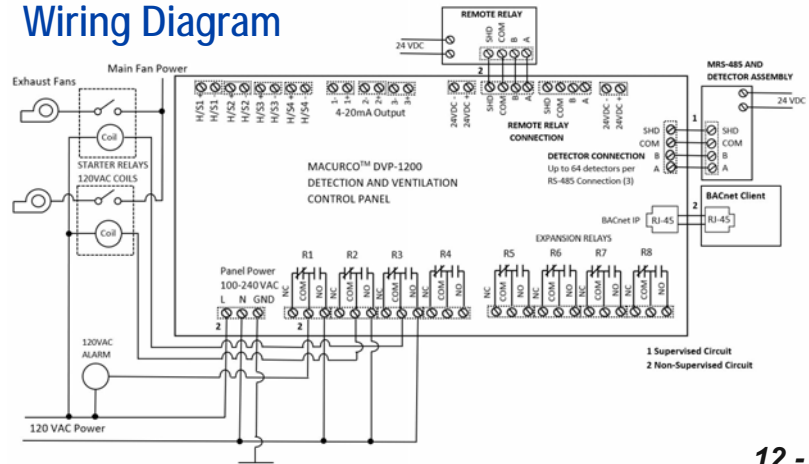
FDS-DVP-1200 4 - Relays

Optional Description

FDS-DVP-1200-2 6 - Relays
 FDS-DVP-1200-4 8 - Relays

Includes MAC10AMP Power Supply

Wiring Diagram



Description

The Macurco MRS-485 adapter is an accessory used to convert the 4-20mA analog signal from Macurco 6-Series type detectors to a digital signal for use with multipoint addressable systems. The MRS-485 accepts the 4-20mA output and is powered from the same connection as the detector. The MRS-485 has the ability to interface with Building Automation Systems, Control Panels or other Control Devices that accept Modbus communications.

MRS-485 Specifications

- Power & Current (with detector): 3.25W (max) from 12 to 24 VAC or VDC, 85mA in alarm, 60mA fan relay on and 33mA stand by @ 24 VDC
- Shipping Weight: 0.25 lb (0.11 kg)
- Size: 3 1/2 x 2 x 1 3/4 in. (8.9 X 5.1 X 4.4 cm)
- Operating Environment : 0°F to 125° F (-18°C to +52°C), 10 to 90% RH non-condensing
- Connections: plugs/terminals
- MRS-485 operates in the RTU Modbus Transmission Mode
- BaudRate: 4800, 9600, 19200 (default), 38400, 57600, 115200 bps

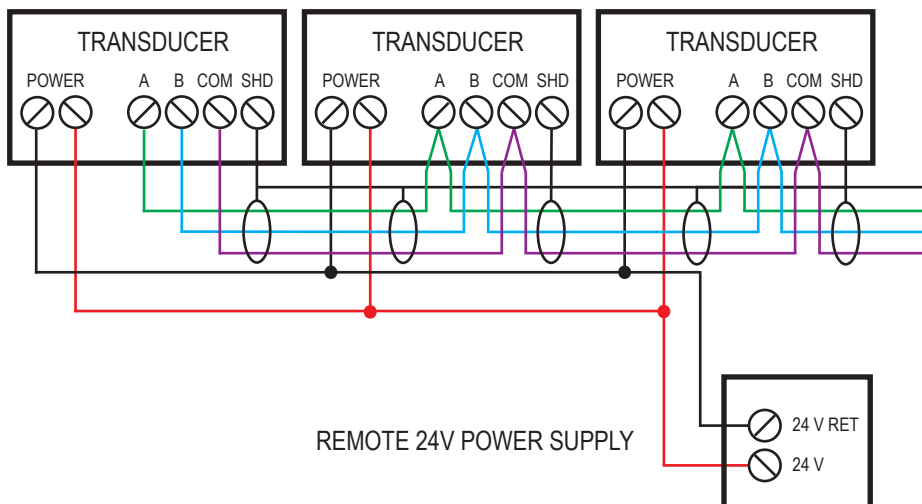
Modbus RS-485 Adapter



Key Features

- The MRS-485 monitor's sensor type, gas level, and trouble status communications
- Communication is on a Modbus serial line
- Commercial-type enclosure to protect and support the electronics
- Tricolor LED indicates power, test and communication status
- Mounts behind the detector inside of a standard 4" x 4" electrical box
- 8-bit dip switch address selector

TYPICAL CONNECTION OF MRS-485



SIGNAL WIRE REQUIREMENTS

Note: It is recommended to always use twisted wires and shielded cable to reduce noise and allow for reliable data communication over greater distances.

Use at least 3-conductor wire with one twisted pair providing a pair for signal (A & B) and common (COM) connections.

For best performance use shielded 3-conductor wire with one twisted pair providing a pair for signal (A & B), common (COM) and shield ground (SHD) connections.

**TECHNICAL
INFORMATION**

In the interest of continuing product improvement, we reserve the right to change models, specifications, and/or features without prejudice.

PROJECT: _____
 LOCATION: _____
 ARCHITECT: _____
 ENGINEER: _____
 CONTRACTOR: _____
 DATE: _____ SALES ENGINEER: _____



Clear



Blue



Amber



Red

Horn & Strobe - (FDS-HS)



Features

- Flexible optic design to meet or exceed the light output on vertical/horizontal dispersion
- Strobe Candela: Adjustable at 15, 30, 75 or 110cd *Based on test result with clear lens cover
- Adjustable two audible tone settings: Continuous (high/low) / Temporal 4 (high/low)
- Size: 5 1/2 x 4 3/4 x 2 in. (14 x 12 x 5 cm)
- 20ms pulse duration
- Low Current Draw
- High power cool white LED is used
- Strobe flash rate: 1 flash per second
- Nominal Voltage: Regulated 24VDC
- Operating Voltage: 16 to 33 VDC
- Operating Environment: 32°F to 120°F (0°C to 49°C). 10 to 93% RH
- Works with FDS-DVP-120 & FDS-DVP-120M control panels

Horn and Strobe Specifications

Current Draw (A)					
Strobe Candela Settings (cd)					
Current	Sound Pattern	16-33 Volts			
		15	30	75	110
DC	High Continuous	0.087	0.094	0.122	0.133
	High Temporal 4	0.080	0.083	0.108	0.126
	Low Continuous	0.074	0.080	0.110	0.125
	Low Temporal 4	0.075	0.080	0.106	0.124
FWR	High Continuous	0.115	0.137	0.165	0.186
	High Temporal 4	0.113	0.122	0.154	0.179
	Low Continuous	0.113	0.117	0.160	0.175
	Low Temporal 4	0.094	0.117	0.132	0.160
Sound Output (dBA)					
Reverberant dBA Per UL 464			Anechoic dBA		
Pattern	Volume	Horn Strobe (16-33Volts)	Pattern	Volume	Horn Strobe (16-33Volts)
Continuous	High	91.4	Continuous	High	92.0
	Low	86.6		Low	87.7
Temporal 4	High	87.5	Temporal 4	High	92.0
	Low	82.2		Low	87.2

*Sync module sold separately. External relay provided by 3rd party.

**TECHNICAL
INFORMATION**

In the interest of continuing product improvement, we reserve the right to change models, specifications, and/or features without prejudice.

PROJECT: _____
 LOCATION: _____
 ARCHITECT: _____
 ENGINEER: _____
 CONTRACTOR: _____
 DATE: _____ SALES ENGINEER: _____



Commercial Calibration Guide



Gas Sold Separately

The Macurco 6 & 12 Series detection family requires routine testing and calibration. Each detector has a corresponding testing/calibration kit to test and calibrate the detectors in the field. Sensors may drift over time, so it is recommended to have a maintenance plan to ensure detectors responding to gas appropriately. A gas calibration is the process of exposing a sensor to a target gas at a specific concentration and then adjusting the gas detector to read that gas concentration properly. Macurco recommends testing and calibration at a least once per year at a minimum but depending on the application and risk potential of the application a greater frequency might be needed. Check with local authorities for any specific local regulations.

Calibration Video Sensor Replacement Video

Calibration Kit	Includes
Cal-Kit	Calibration Case, Tygon Tubing (2'), Cal Hood Pack, 0.2LPM Regulator (F)

*Must use NIST traceable gas for calibrations

Model	Gas Type	Includes	Used With
FDS-CAL-GAS-CO	Carbon Monoxide	Carbon Monoxide CO Cal Gas Aluminum Cylinder 34L 200 ppm (F) - Bump/Calibration	FDS-RS-CM-6, FDS-SA-CM-12, FDS-RS-CX-6, FDS-SA-CX-12
FDS-CAL-GAS-NO2	Nitrogen Dioxide	Nitrogen Dioxide NO2 Cal Gas Aluminum Cylinder 34L 5 ppm (F) - Bump/Calibration	FDS-RS-TX-6-ND, FDS-SA-TX-12-ND, FDS-RS-CX-6, FDS-SA-CX-12
FDS-CAL-GAS-CH4	Methane	Methane CH4 Cal Gas Cylinder 34L 10% LEL (M) - Bump/Calibration	FDS-RS-GD-6, FDS-SA-GD-12

**TECHNICAL
INFORMATION**

In the interest of continuing product improvement, we reserve the right to change models, specifications, and/or features without prejudice.

PROJECT: _____
 LOCATION: _____
 ARCHITECT: _____
 ENGINEER: _____
 CONTRACTOR: _____
 DATE: _____ SALES ENGINEER: _____

Power Supplies



PS-24, PS-24-H, MAC6AMP-4, MAC10AMP-4

The Macurco power supply options allow flexibility when designing your gas detection system. Whether is it a single standalone setup or a multi-point system, the Macurco Class II power supply options are a great fit.



PS-24



PS-24-H



MAC6AMP-4



MAC10AMP-4

Model Number	Application	Input	Output	Output Current Max	Number of Outputs	Operating Temperature	Size	Weight
PS-24	Standalone	90-264VAC	24VDC	1.05A	1	-4°F to 104°F (-20°C to 40°C)	2.8 x 1.3 x 1.9 in. (7.1 x 3.3 x 4.8 cm)	0.30 lbs. (0.14 kg)
PS-24-H	Standalone	85-264VAC	24VDC	1.3A	1	-22°F to 158°F (-30°C to 70°C)	3.6 x 1.5 x 1.1 in. (9.1 x 3.8 x 2.9 cm)	0.26 lbs. (0.12 kg)
MAC6AMP-4	System	115VAC	12-24VDC	6A	4	32°F to 120°F (0°C to 49°C)	13.5 x 13 x 3.3 in. (34.2 x 33 x 8.3 cm)	8.5 lbs. (3.8 kg)
MAC10AMP-4	System	115VAC	24VDC	10A	4	32°F to 120°F (0°C to 49°C)	15.5 x 12 x 4.5 in. (39.3 x 30 x 11.4 cm)	9.4 lbs. (4.6 kg)



8

Welding Source Capture

When selecting **Individual Components** for Arms/Booms:

- STEP 1 Determine if the application requires a Pivoting Articulated Crane Arm (PAC) or if a Swivel Boom (SB) is preferred
Determine length of PAC or SB; the PAC's standard offering includes 10', 15', and 20', while the SB's standard offering includes 7', 10', and 13' (Consult factory for custom PAC/SB lengths.)
- STEP 2 Determine if an optional Flat Swivel is required
- STEP 3 Determine if the user would like to incorporate a Retractable Overhead System
If yes, determine hose type, hose length, and hose diameter
- STEP 4 Determine if the user would prefer a Vertical Stack Hood instead of
The Retractable Overhead System (Step 3)
- STEP 5 Determine Nozzle/Adapter Series
Determine Size
Determine Other Necessary Features
- STEP 6 Determine if options are needed for Nozzles/Adapters
- STEP 7 Determine if a D-Series Fan is needed to supplement this package
If yes, determine size; These fans mount with a wall bracket.

When selecting **Package Systems** for Arms/Booms:

- STEP 1 Determine Arm Series, Arm Length, Arm Diameter
Determine if any applicable Mounting Options are required
- STEP 2 Determine if any additional components are required for
15000/PAC Series (Light Kit, Duct Connection Flange, Fans, Starters, Etc ...)
- STEP 3 Determine type of Hose (5000 or 6000 Series Hose)
Determine necessary Length of Hose
Determine Diameter of Hose for application
- STEP 4 Determine if the following optional components are needed: Stainless Steel Cone Nozzles, Polycarbonate Hoods, or Magnets
- STEP 5 Determine if a Slotted Fume Hood is necessary
- STEP 6 Determine if a D-Series Fan is needed to supplement this package
If yes, determine size; These fans mount with a wall bracket.

Tips:

MODEL NUMBERS FOR PAC's/BOOM's, EXAMPLE PAC-10-11164-D:
PAC-10-11164-D 10' Pivoting Articulated Crane Arm
PAC-10-11164-D Retractable Overhead System, 16'x4", 4000 Series Hose

The swivel and articulating boom arms allow for longer reach, offering an extended range of motion.

Our BA/SB Swivel Booms are available in 7', 10' and 13' lengths. The PAC Articulating Crane Arm is offered in 10', 15' and 20' lengths. A variety of duct diameters are available.

PLEASE CONSULT FACTORY FOR CUSTOM ARM/BOOM LENGTHS

PORTABLE FUME SYSTEMS (HEPA/CARTRIDGE)

When selecting a Portable Fume System:

- STEP 1 Determine if a PHS (Portable HEPA System) or a Portable Cartridge Filter System (PCFS) is desired, along with arm requirements
- STEP 2 Add Optional Confined Space Kit, if necessary (The Confined Space Kit is used in lieu of a self-supporting arm)
- STEP 3 Select any Portable Fume Filters, if necessary

Tips:

Portable Filtration units are offered in both cartridge and HEPA filter configurations. A variety of media options are available for both. Our fume arms may be added to these units for source capture applications. Typical applications, for these units, are welding/maintenance shops, school shop environments, and other locations where a permanently installed system is not practical.

FREE HANGING FILTER UNITS

When selecting a Free Hanging Filter Unit:

- STEP 1 Determine if primary filter is 65% or 95% efficient
Determine Required CFM
Determine Blower, Motor Sizing
Determine number of Filters
- STEP 2 Determine if Replacement Filters are Necessary

Tips:

Free Hanging Filter Units are typically used where source capture systems are not practical. Monoxivent offers units in CFM's ranging from 200 through 3700. A variety of filters are offered depending on applications. Available accessories include: discharge silencers, hanging eyes, and magnahelic gauges. - PLEASE CONSULT FACTORY FOR DESIGN AND LAYOUT ASSISTANCE.

CARTRIDGE COLLECTORS

When selecting a Cartridge Collector:

- STEP 1 Determine type of Particulate
Determine Required CFM
Determine Number of Cartridges, Necessary Square Feet
- STEP 2 Select any Replacement/Optional Components

Tips:

Cartridge Type Dust Collectors are available in CFM's up to 19,000. Dust containment options range from pull out dust drawers to 55-gallon drums. A variety of filters are available for Monoxivent's cartridge filter units, these include paper, fire retardant, and hydro oleo phobic. A pneumatic pulse filter cleaning system is utilized to ensure long filter life. - PLEASE CONSULT FACTORY FOR SELECTION AND DESIGN ASSISTANCE.



Technical Data: 15000 Series Exhaust Arms

TECHNICAL INFORMATION

In the interest of continuing product improvement, we reserve the right to change models, specifications, and/or features without prejudice.

PROJECT: _____
 LOCATION: _____
 ARCHITECT: _____
 ENGINEER: _____
 CONTRACTOR: _____
 DATE: _____ SALES ENGINEER: _____

www.monoxivent.com

info@monoxivent.com

309-794-1000

Page: WSC- 1

TECHNICAL DATA: EXHAUST ARMS

DESCRIPTION:

The Source Capture Flex Arms are internally supported and consist of four adjustable pivot joints on each arm. The flex arm is a vertical movement type with the ability to swivel from 180 to 360 degrees, depending upon the mounting brackets selected and the way the arms are positioned. Each arm consists of an all internal support structure, weld-proof hose, mounting brackets, and a collection hood. The Source Capture Arms are complete and shipped ready for assembly and mounting. Final arm adjustment is to be completed after installation.

CONSTRUCTION:

The internal support structure of the arm is constructed of tubular aluminum for both the 6" and 8" arms. The mounting brackets are of heavy gauge epoxy painted steel with special lubricated nylon rings and bearings. Each pivot point utilizes the special friction disk pads for tension settings. This allows the arm to be set at the best tension, allowing the unit to be user-friendly and for the arm movement to be kept simple. The extraction hose is fiberglass coated with flame retardant vinyl. The vinyl/fiberglass fabric has a supporting wire helix of vinyl coated spring steel permanently bonded for a continuous, uninterrupted inner and outer surface. The hose is rated for 275 to 300 degrees.

CAPTURE HOOD FOR 6" DIAMETER ARM:

The extraction hood is constructed of high quality, impact resistant, high temperature polycarbonate/PVC material. The hood's standard features include a handle, damper, and knock outs for optional switches. The hood opening is a 12" oval design and offers both horizontal and vertical movement.

CAPTURE HOOD FOR 8" DIAMETER ARM:

The extraction hood is made of high quality 20 gauge stainless steel. The hood is supplied with a positioning handle and is formed into a tapered cone design. The hood opening is a 12" oval design and offers both horizontal and vertical movement. The hood includes a screen.

HARDWARE:

The arm is supplied with all the necessary hardware. The supplied hardware uses nylon locking nuts to assist in holding tension and allows for slight adjustments to the pivot point joints, thus creating easy and quick joint changes and settings. Hardware, provided by others, is required to mount the arm and mounting bracket to a wall or column.



Source Capture Extraction
Systems: Suggestions/Tips
Selection, Calculation
Series: 15000

TECHNICAL INFORMATION

In the interest of continuing product improvement,
we reserve the right to change models,
specifications, and/or features without prejudice.

PROJECT: _____
LOCATION: _____
ARCHITECT: _____
ENGINEER: _____
CONTRACTOR: _____
DATE: _____ SALES ENGINEER: _____

www.monoxivent.com

info@monoxivent.com

309-794-1000

Page: WSC-2

SUGGESTIONS ONLY PRODUCT SELECTION AND SIZING

- A. Based upon the application, determine the style arm most suited to give maximum coverage. Source capture arms are available in 6" and 8" diameters with a choice of multiple lengths.
- B. Select the CFM requirements for the application. The most widely used CFM rating for 6" diameter arms is 600 CFM and for 8" diameter arms is 800-1000 CFM.
- C. Once the CFM has been determined, please consult the graphs (within this catalog) for the static pressure calculations based upon the arm diameter and length that has been selected.
- D. A suggested formula for central duct static pressure loss can be based on the following information:
First, calculate the length of the main duct from the fan to the duct end and multiply the length by 0.006. This yields the approximate loss in the main duct.
Second, calculate the amount of bends or elbows in the main duct and multiply this figure by 0.020. Next, add the loss for one arm, main, and elbows. This yields a close estimation for total static loss in the system.
- E. Fan selection should be based upon the above information gathered. Fan CFM should be calculated by multiplying the total arms needed by the CFM selected for each arm. (6 Arms x 600 CFM Each = 3600 CFM)
- F. To assist in sizing the main duct, the following table may be used. When sizing, begin with the drop furthest from the fan.

0-400 CFM	6" Main	2351-3530 CFM	14" Main
401-825 CFM	8" Main	3531-4700 CFM	16" Main
826-1470 CFM	10" Main	4701-5900 CFM	18" Main
1471-2350 CFM	12" Main	5901-6600 CFM	20" Main

Connecting duct from the 6" arm to the main duct is 6", while connecting duct from the 8" arm to the main is 8".
Whenever possible, use a sweeping fitting from the connecting duct to the main duct.

NOTE: The above information should be used as guidelines only.



Source Capture Arms
Series 15000
Static Pressure Graph

TECHNICAL INFORMATION

In the interest of continuing product improvement, we reserve the right to change models, specifications, and/or features without prejudice.

PROJECT: _____
LOCATION: _____
ARCHITECT: _____
ENGINEER: _____
CONTRACTOR: _____
DATE: _____ SALES ENGINEER: _____

www.monoxivent.com

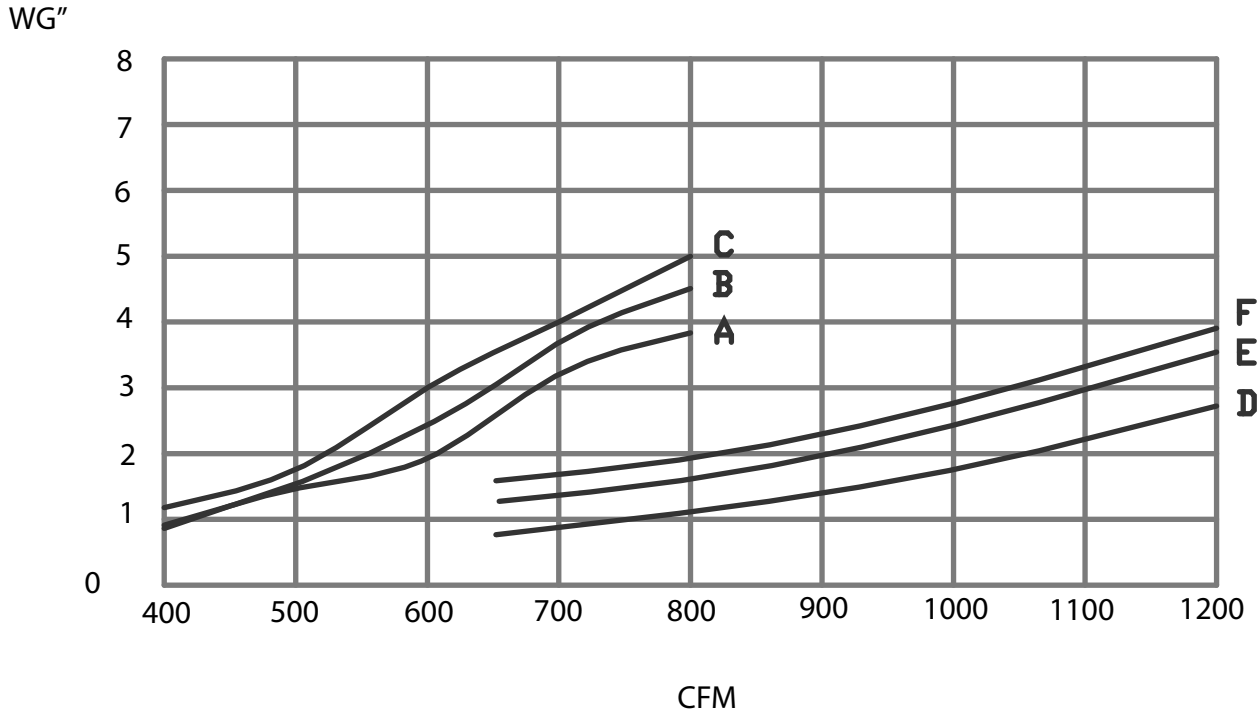
info@monoxivent.com

309-794-1000

Page: WSC- 3

<u>Graph Letter</u>	<u>Model</u>	<u>Description</u>
A	15076	7' x 6" Diameter Flex Arm
B	15106	10' x 6" Diameter Flex Arm
C	15146	14' x 6" Diameter Flex Arm
D	15078	7' x 8" Diameter Flex Arm
E	15108	10' x 8" Diameter Flex Arm
F	15148	14' x 8" Diameter Flex Arm
A	15320	6" Diameter Telescopic Flex Arm

* The actual rate of pressure drop through the arm depends upon the arm positioning. Therefore, the graph ratings are to serve only as guidelines. The pressure drop ratings on the graph are for the loss through the arm only. The connecting and main duct loss need to be calculated. See system design guidelines for duct formula.



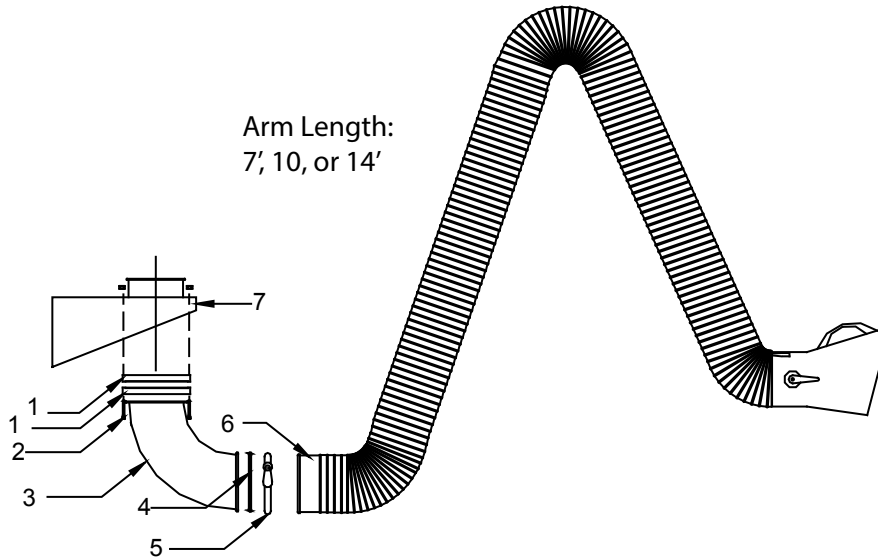
**TECHNICAL
INFORMATION**

In the interest of continuing product improvement,
we reserve the right to change models,
specifications, and/or features without prejudice.

PROJECT: _____
 LOCATION: _____
 ARCHITECT: _____
 ENGINEER: _____
 CONTRACTOR: _____
 DATE: _____ SALES ENGINEER: _____

SERIES 15000 - HOSE DIAMETER: 6" or 8"

Wall/Column Mount Bracket Components:



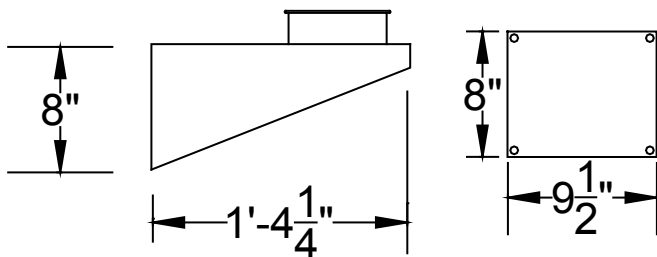
1. Swivel collar
2. Mounting bolts - through collar and attaches to wall bracket
3. Swivel flanged elbow
4. Flange gasket
5. Flange clamp
6. Internal arm mounting sleeve and pivot joint
7. Wall Bracket with flanged mounting collar (6" only)

Wall/Column Mount Bracket Dimensions - Side View (Below Left) and Back View (Below Right):

6" Wall Bracket

SIDE VIEW

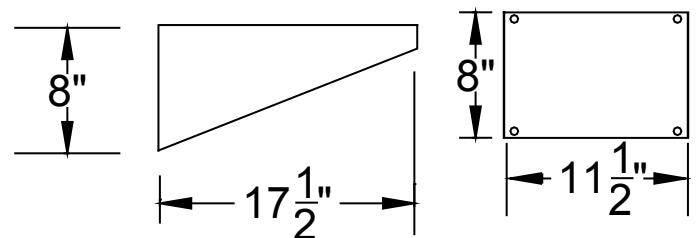
BACK VIEW



8" Wall Bracket

SIDE VIEW

BACK VIEW

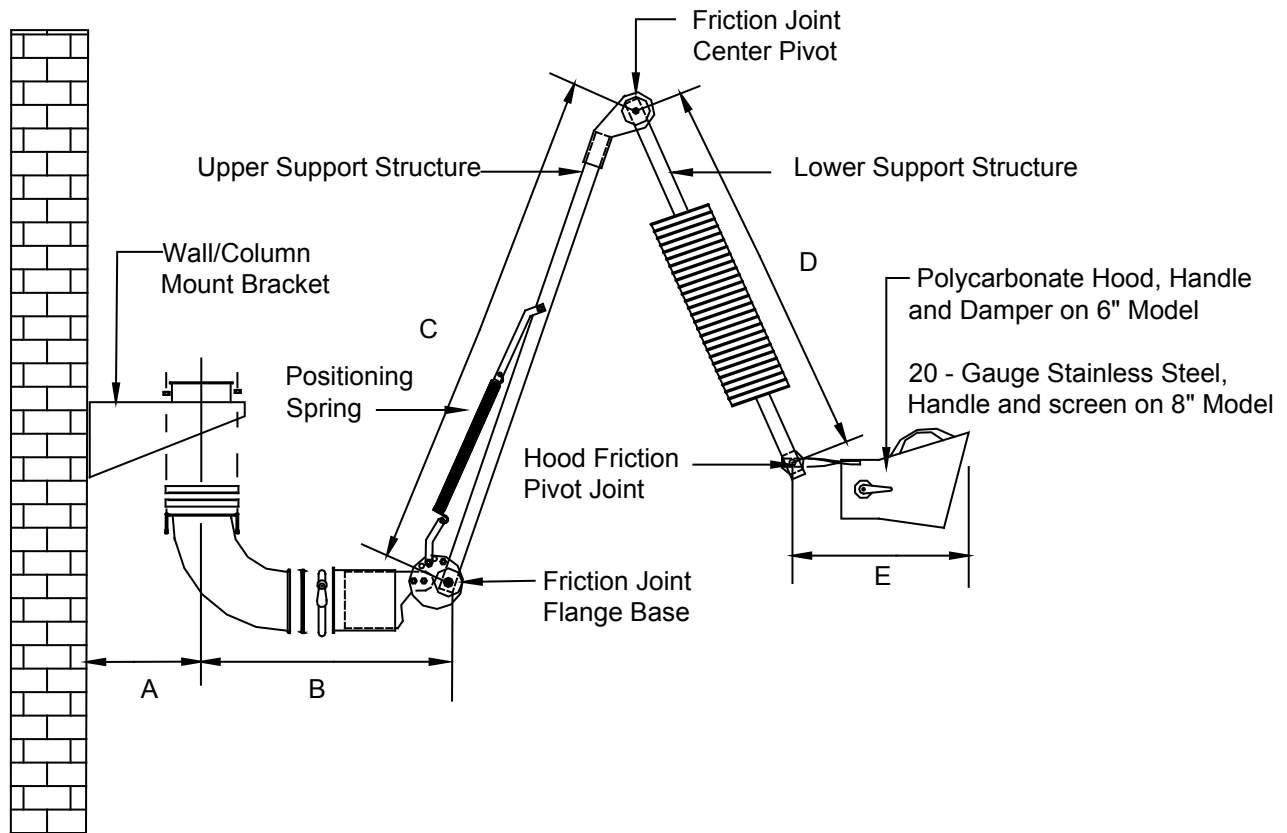


**TECHNICAL
INFORMATION**

In the interest of continuing product improvement,
we reserve the right to change models,
specifications, and/or features without prejudice.

PROJECT: _____
 LOCATION: _____
 ARCHITECT: _____
 ENGINEER: _____
 CONTRACTOR: _____
 DATE: _____ SALES ENGINEER: _____

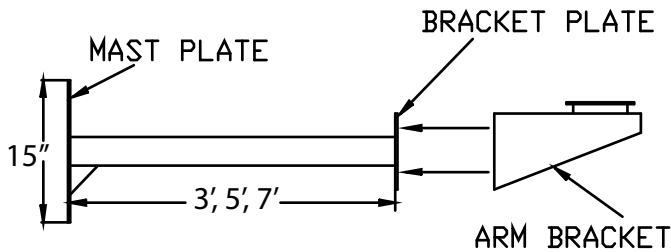
EXPLODED VIEW OF SERIES 15000 ARM FOR WALL/COLUMN MOUNT



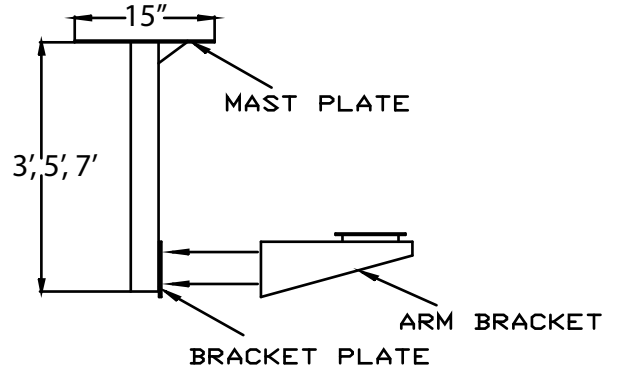
6" Model	Dimensions, Inches, 15000 Arms					Weights (lbs.)
	A	B	C	D	E	
15076	12"	19"	34"	22"	17"	48
15106	12"	19"	54"	42"	17"	54
15146	12"	19"	73"	61"	17"	64
8" Model	Dimensions, Inches, 15000 Arms					Weights (lbs.)
	A	B	C	D	E	
15078	12"	25"	34"	22"	17"	54
15108	12"	25"	54"	42"	17"	60
15148	12"	25"	73"	61"	17"	72

Note: See other WSC pages for detail information for wall/column bracket, swivel collar, flanged swivel elbow, gasket and joint clamp

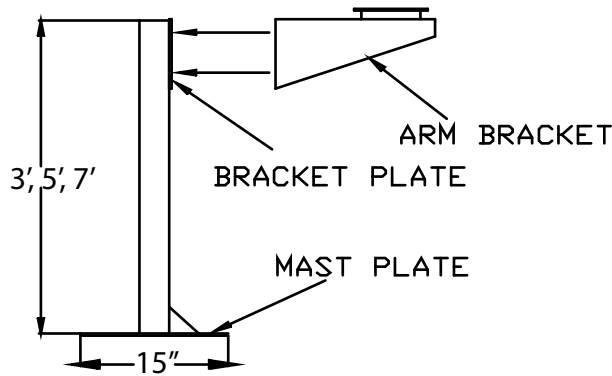
WALL MOUNT EXTENSION BRACKET
SERIES EXT-WM



CEILING MOUNT EXTENSION BRACKET
SERIES EXT-CM



FLOOR MOUNT EXTENSION BRACKET
SERIES EXT-FM



The Series EXT is available in (3) lengths: 3', 5', or 7'. The main support mast is of 2" x 3" steel tubing. The mast plate and bracket plate are of 1/4" steel.

The arm bracket will mount directly to the bracket plate, which is welded to the mast. The EXT is also supplied with a triangular support plate, which is welded to the mast and the mast plate. The EXT is painted with an industrial grade black finish. For correct model number, add the length of the EXT after the type unit required.

Example:

EXT-WM-3

EXTENSION-WALL MOUNT-3'

***Other lengths available - please consult factory.*

TECHNICAL INFORMATION

In the interest of continuing product improvement,
we reserve the right to change models,
specifications, and/or features without prejudice.

PROJECT: _____
LOCATION: _____
ARCHITECT: _____
ENGINEER: _____
CONTRACTOR: _____
DATE: _____ SALES ENGINEER: _____

www.monoxivent.com

info@monoxivent.com

309-794-1000

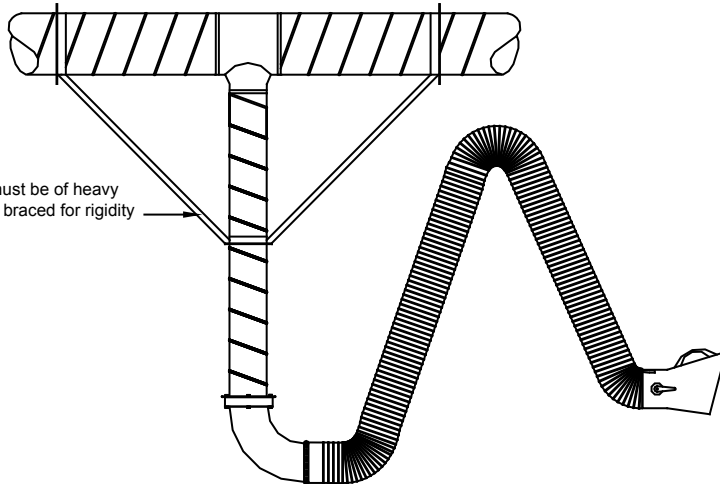
Page: WSC-7

SERIES 15000-D (6" or 8")

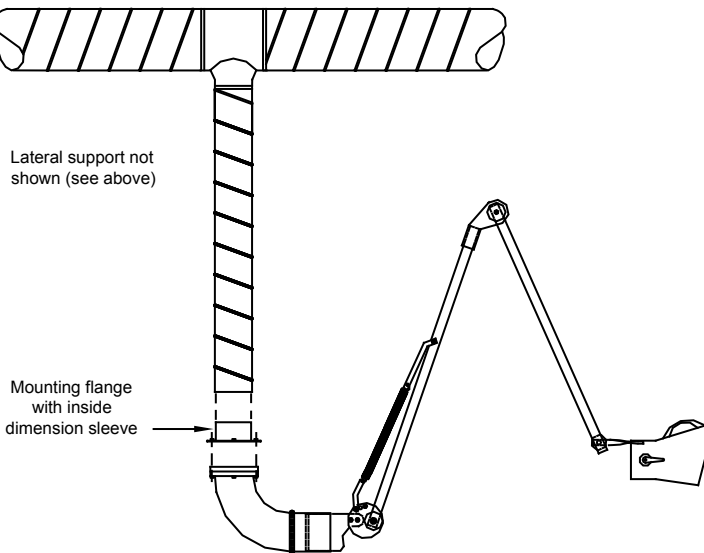
Direct Duct Mount Arm:

Arm Lengths:
7', 10', 14'

The connecting duct must be of heavy
gauge and adequately braced for rigidity



Internally Supported Arm - Duct Mount
See other WSC pages for details of swivel
collar, swivel elbow and connections



Lateral support not
shown (see above)

Mounting flange
with inside
dimension sleeve

Mounting Tips:

6" or 8" ID Connecting duct.

Note: The connecting duct must be of heavy gauge and braced. Complete arm will be supported by the connecting duct. The flange shown above will slide inside the connecting duct.

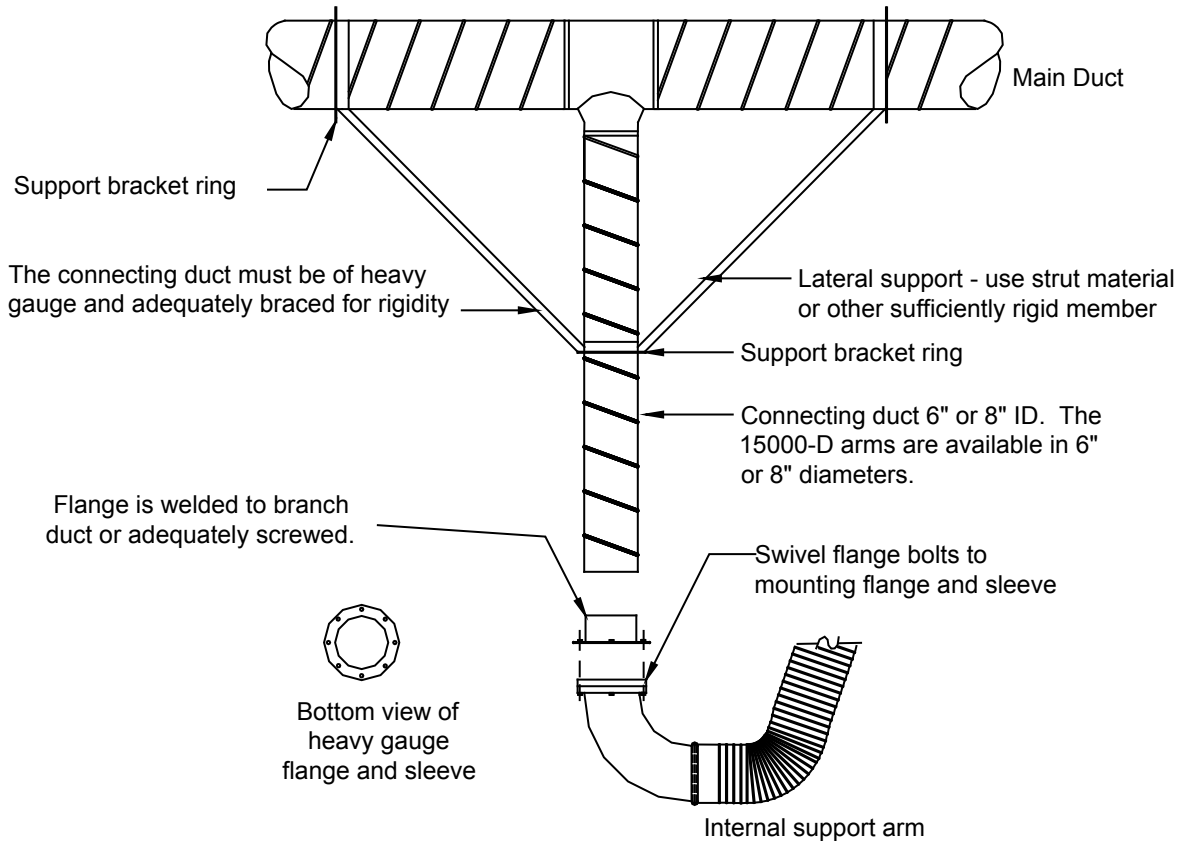
** The flange can be welded to the connecting duct branch. The elbow is then bolted to the flange and the arm is bolted to the elbow, as shown above. The arm will swivel 360 degrees.

**TECHNICAL
INFORMATION**

In the interest of continuing product improvement, we reserve the right to change models, specifications, and/or features without prejudice.

PROJECT: _____
 LOCATION: _____
 ARCHITECT: _____
 ENGINEER: _____
 CONTRACTOR: _____
 DATE: _____ SALES ENGINEER: _____

15000-D MOUNTING GUIDELINES



The 15000-D Direct Duct Mount Arm is the simple solution for installing an overhead arm when the user does not have access to wall or column for mounting purposes.

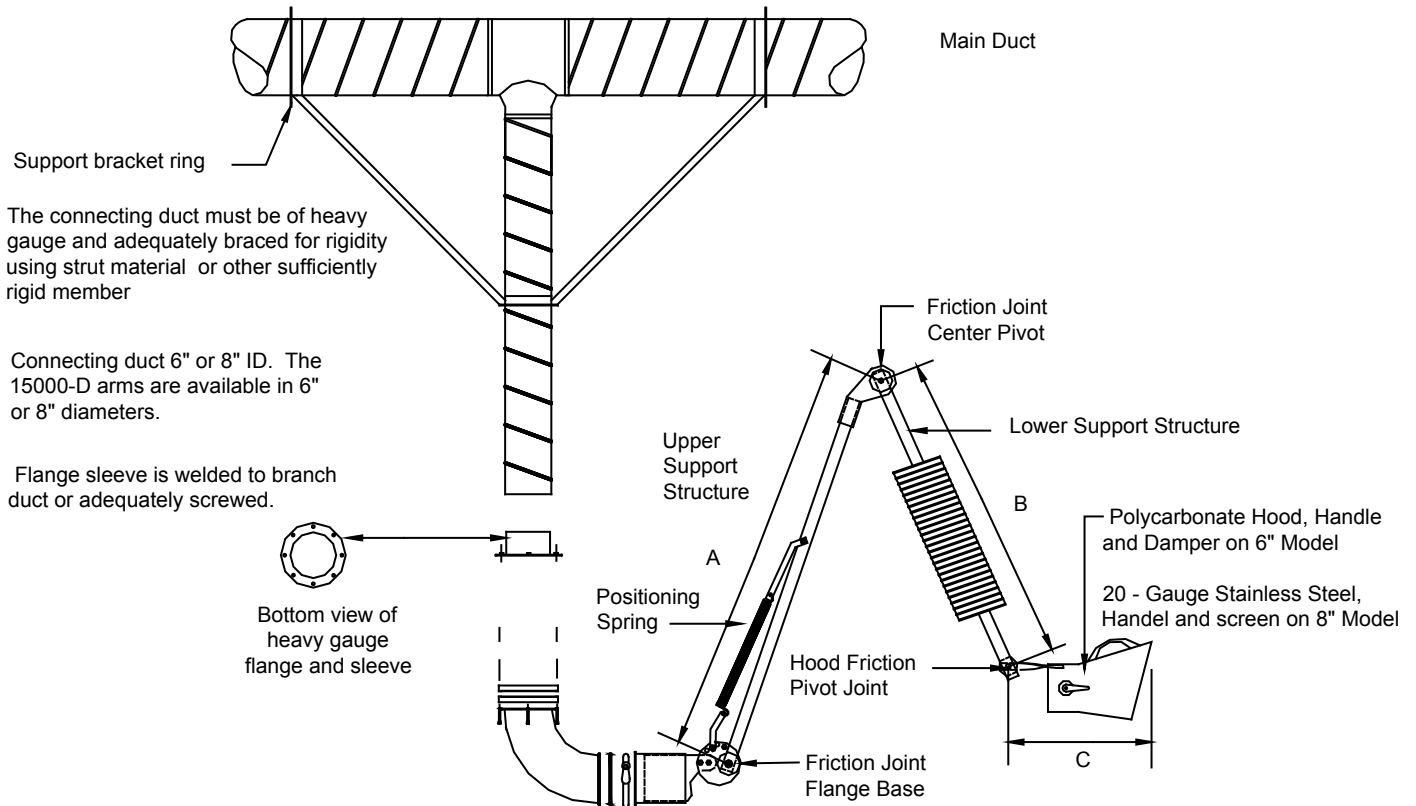
The connection flange is fixed to the connecting duct. The connecting duct becomes the support for the arm. The arm will swivel 360 degrees at the elbow/flange. The connecting duct must be adequately braced to support the arm.

**TECHNICAL
INFORMATION**

In the interest of continuing product improvement,
we reserve the right to change models,
specifications, and/or features without prejudice.

PROJECT: _____
 LOCATION: _____
 ARCHITECT: _____
 ENGINEER: _____
 CONTRACTOR: _____
 DATE: _____ SALES ENGINEER: _____

EXPLODED VIEW of SERIES 15000-D VERTICAL DUCT MOUNT ARM



Model	Dimensions, Inches, 15000 Arms			Weights (lbs.)	
	A	B	C	6"	8"
15076-D, 15078-D	34"	22"	17"	39	54
15106-D, 15108-D	54"	42"	17"	45	60
15146-D, 15148-D	73"	61"	17"	53	72

Note: See other WSC pages for detail information for swivel collar, flanged swivel elbow, gasket and joint clamp.

**TECHNICAL
INFORMATION**

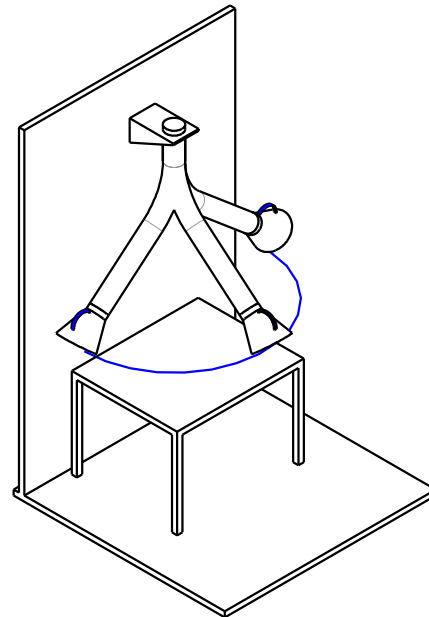
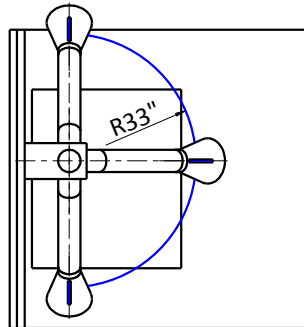
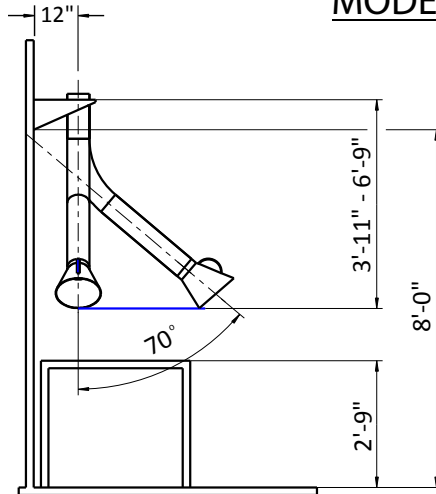
In the interest of continuing product improvement,
we reserve the right to change models,
specifications, and/or features without prejudice.

PROJECT: _____
LOCATION: _____
ARCHITECT: _____
ENGINEER: _____
CONTRACTOR: _____
DATE: _____ SALES ENGINEER: _____

MODEL 15320

Arm Available in: 4", 6" & 8"

*4" Model supplied with external support



The retractable telescopic arm is a unique system that allows the user to position the hood directly at the source. The arm is used for work tables that are located directly up against a wall or column. This is the style arm that is ideal for vocational-type schools, where small booths are set-up along walls.

The 6" and 8" telescopic arms have an internal three-piece aluminum tube to allow for the telescopic movement. While the 4" arm has an external three-piece aluminum tube. The arms also offer movement, from left to right and towards the front. The hood will also pivot separately of the arm. The arm rotates 360-degrees at swivel joint.

The telescopic arm is available for several types of installations. The arm can be supplied to have its own direct mount fan or it can be connected to a central duct system or filter unit.

A. The mounting height of the arm can be determined to fit your needs depending on the work table height. A suggested height is from 8' to 9'. This is only a suggestion and starting point as a reference and guideline.

** Note: The telescopic arm can be supplied for wall/column mounting, vertical duct mount, or the arm can be mounted to the end of the PAC, SB, and BA Boom Assemblies.*

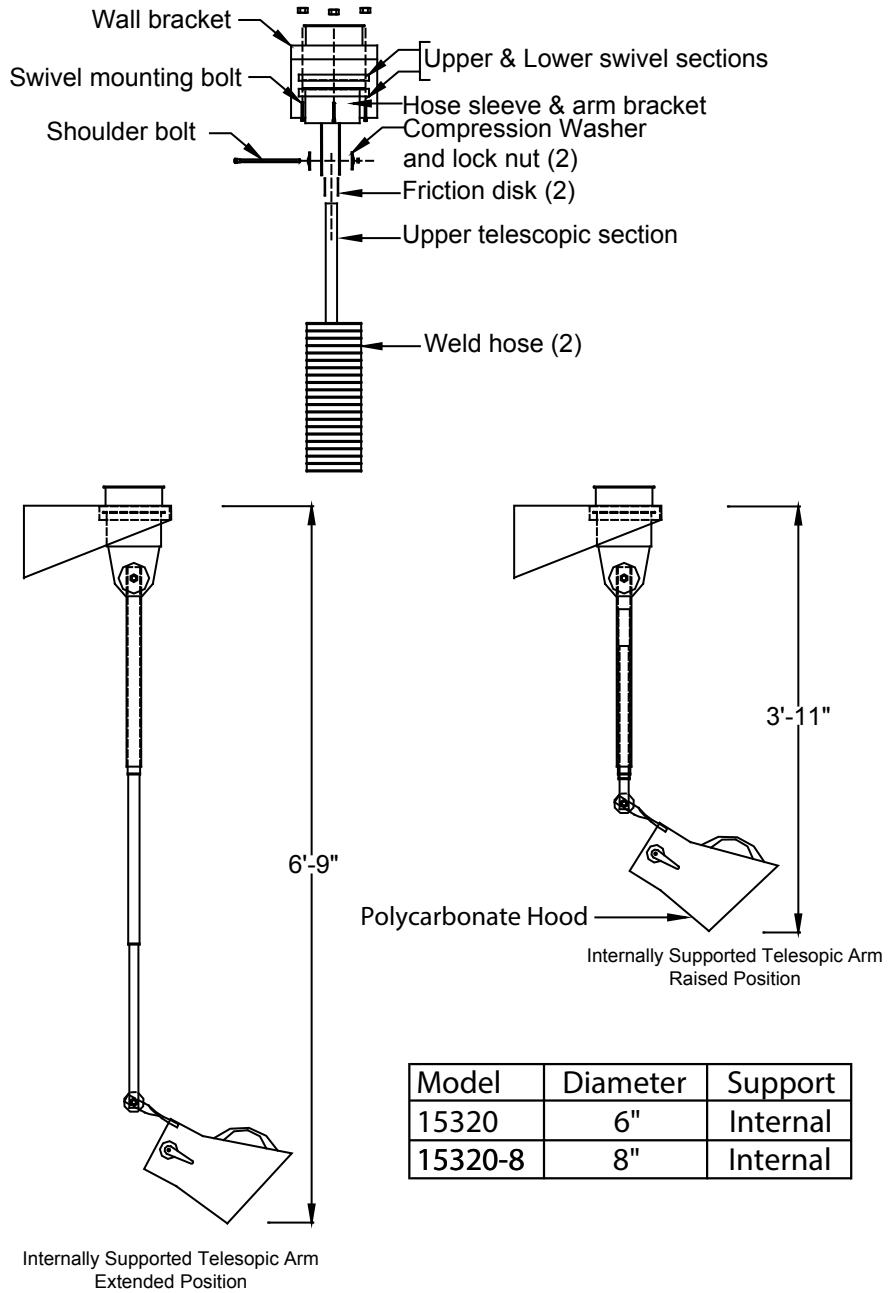
**TECHNICAL
INFORMATION**

In the interest of continuing product improvement,
we reserve the right to change models,
specifications, and/or features without prejudice.

PROJECT: _____
 LOCATION: _____
 ARCHITECT: _____
 ENGINEER: _____
 CONTRACTOR: _____
 DATE: _____ SALES ENGINEER: _____

MODEL 15320

6 & 8 Inch Models



Model	Diameter	Support
15320	6"	Internal
15320-8	8"	Internal

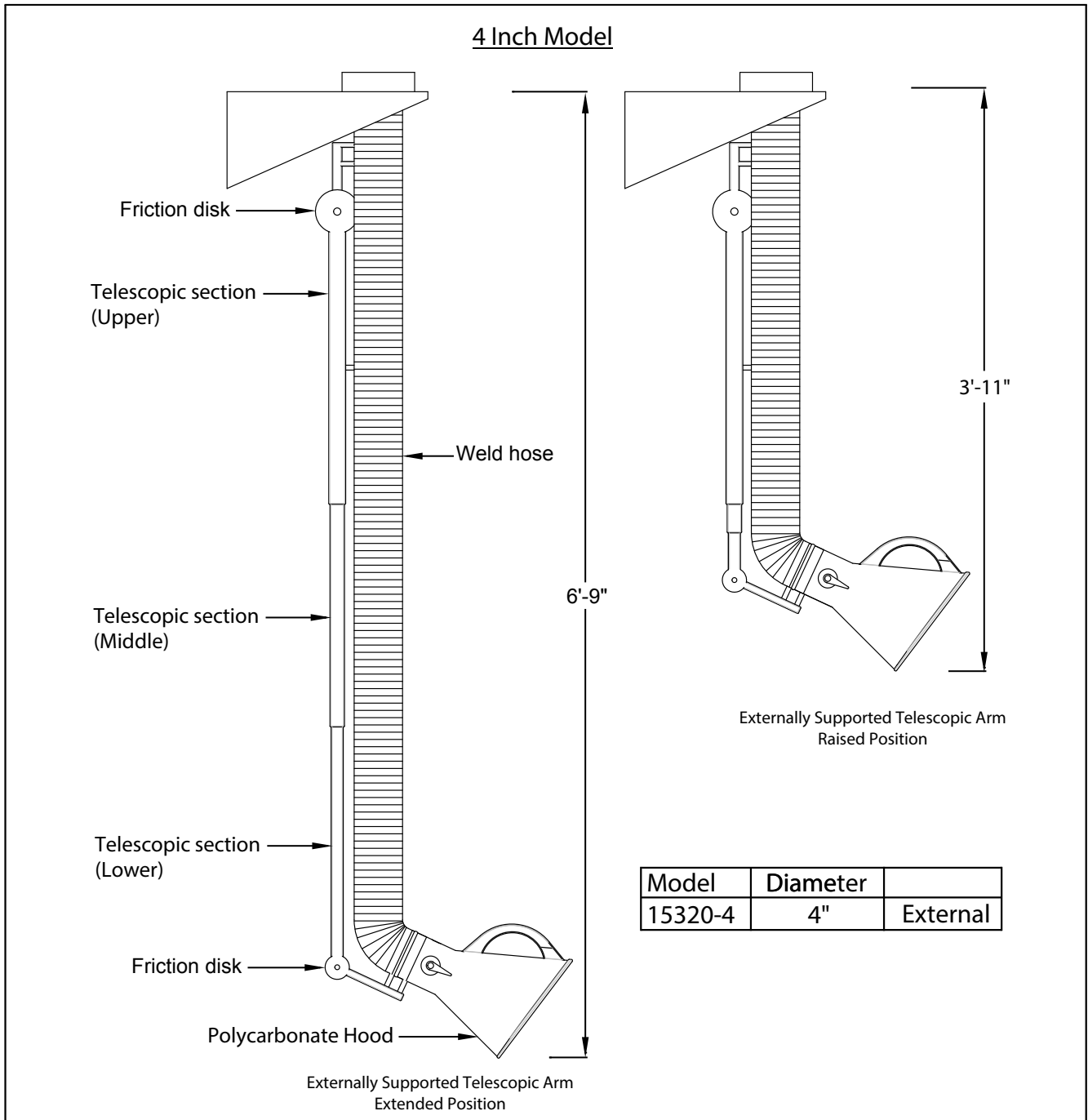
**TECHNICAL
INFORMATION**

In the interest of continuing product improvement,
we reserve the right to change models,
specifications, and/or features without prejudice.

PROJECT: _____
 LOCATION: _____
 ARCHITECT: _____
 ENGINEER: _____
 CONTRACTOR: _____
 DATE: _____ SALES ENGINEER: _____

MODEL 15320

4 Inch Model

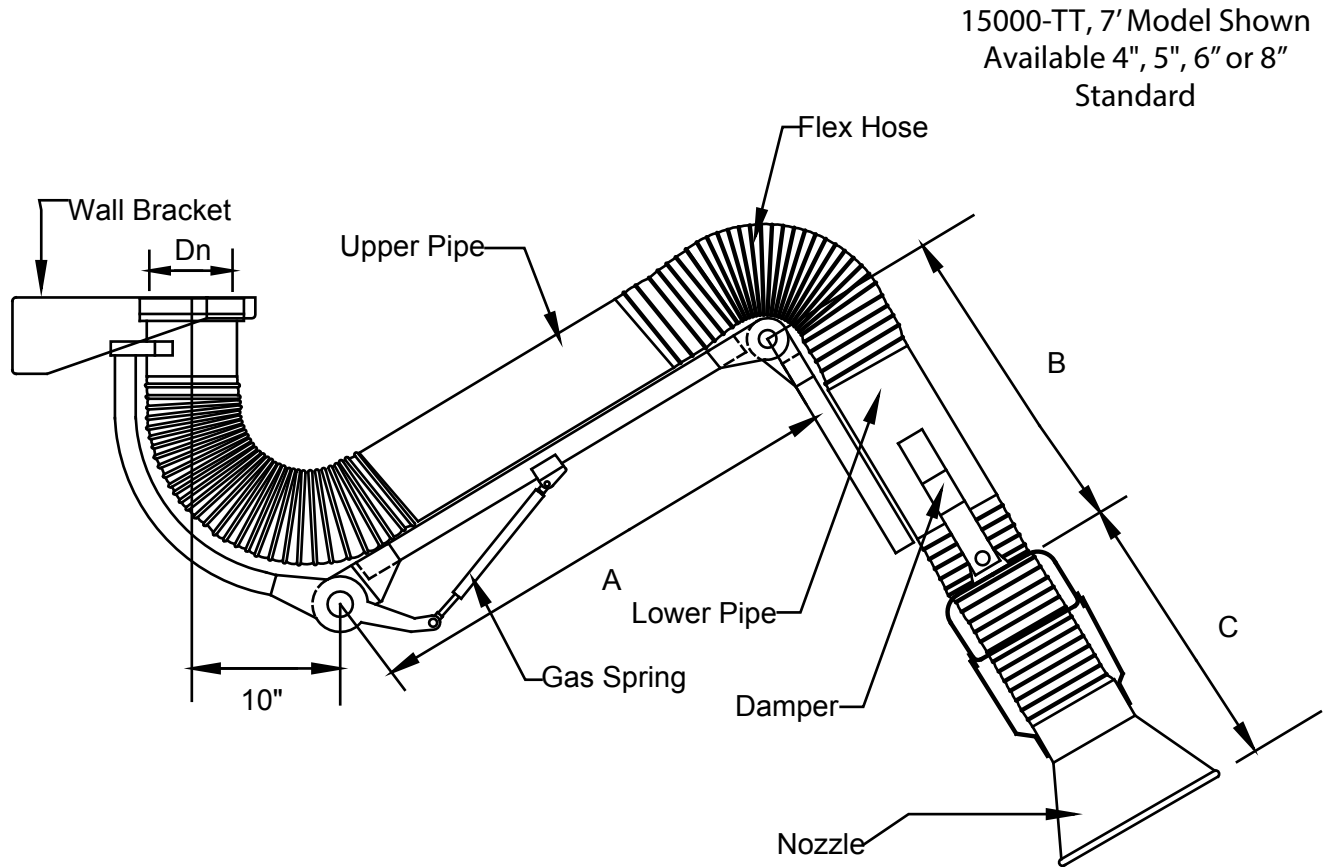


Model	Diameter	
15320-4	4"	External

**TECHNICAL
INFORMATION**

In the interest of continuing product improvement,
we reserve the right to change models,
specifications, and/or features without prejudice.

PROJECT: _____
LOCATION: _____
ARCHITECT: _____
ENGINEER: _____
CONTRACTOR: _____
DATE: _____ SALES ENGINEER: _____



Model	A	B	C	Dn	Description	Weights (lbs.)
15074-TT	37.3"	22.8"	20.2"	4"	7' x 4" Tube Type Arm	52
15075-TT	37.3"	22.8"	20.6"	5"	7' x 5" Tube Type Arm	55
15076-TT	37.3"	22.8"	21.0"	6"	7' x 6" Tube Type Arm	55
15078-TT	37.3"	22.8"	21.4"	8"	7' x 8" Tube Type Arm	60

*Optional hood mounted light kit available, consult factory for pricing

*Stainless Steel option available, consult factory for pricing

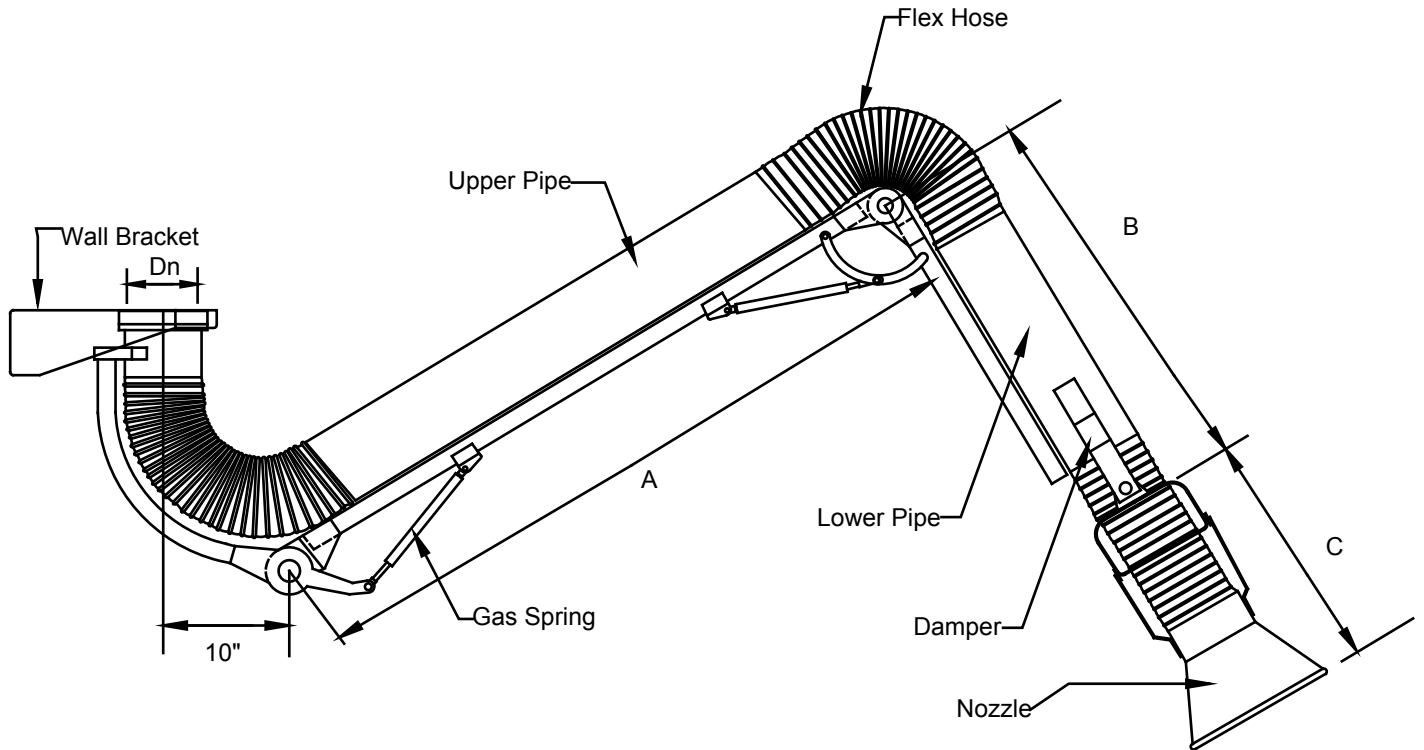
Contact factory for bench-top mount, other configurations

**TECHNICAL
INFORMATION**

In the interest of continuing product improvement,
we reserve the right to change models,
specifications, and/or features without prejudice.

PROJECT: _____
LOCATION: _____
ARCHITECT: _____
ENGINEER: _____
CONTRACTOR: _____
DATE: _____ SALES ENGINEER: _____

15000-TT, 10' Model Shown
Available 4", 5", 6" or 8"
Standard



Model	A	B	C	Dn	Description	Weights (lbs.)
15104-TT	60.1"	32.3"	20.2"	4"	10' x 4" Tube Type Arm	57
15105-TT	60.1"	32.3"	20.6"	5"	10' x 5" Tube Type Arm	60
15106-TT	60.1"	32.3"	21.0"	6"	10' x 6" Tube Type Arm	60
15108-TT	60.1"	32.3"	21.4"	8"	10' x 8" Tube Type Arm	65

*Optional hood mounted light kit available, consult factory for pricing

*Stainless Steel option available, consult factory for pricing

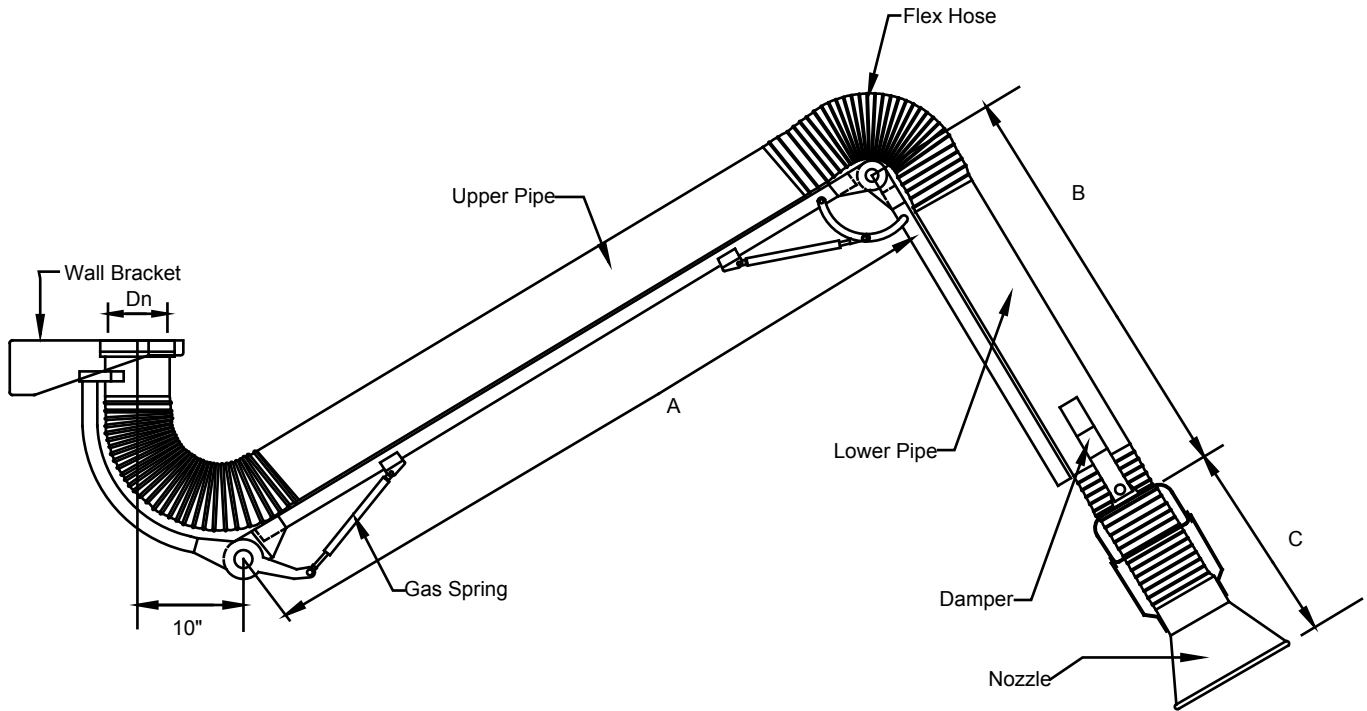
Contact factory for bench-top mount, other configurations

**TECHNICAL
INFORMATION**

In the interest of continuing product improvement,
we reserve the right to change models,
specifications, and/or features without prejudice.

PROJECT: _____
 LOCATION: _____
 ARCHITECT: _____
 ENGINEER: _____
 CONTRACTOR: _____
 DATE: _____ SALES ENGINEER: _____

15000-TT, 13' Model Shown
Available 4", 5", 6" or 8"
Standard



Model	A	B	C	Dn	Description	Weights (lbs.)
15134-TT	75.1"	41.3"	20.2"	4"	13' x 4" Tube Type Arm	70
15135-TT	75.1"	41.3"	20.6"	5"	13' x 5" Tube Type Arm	75
15136-TT	75.1"	41.3"	21.0"	6"	13' x 6" Tube Type Arm	80
15138-TT	75.1"	41.3"	21.4"	8"	13' x 8" Tube Type Arm	85

*Optional hood mounted light kit available, consult factory for pricing

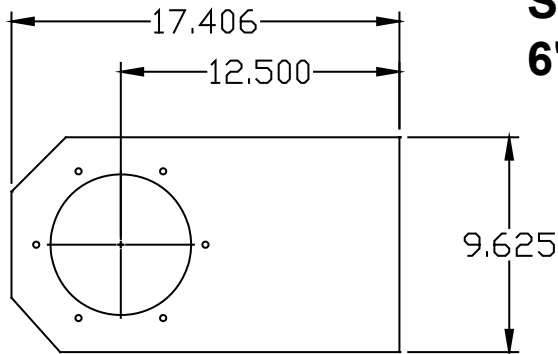
*Stainless Steel option available, consult factory for pricing

Contact factory for bench-top mount, other configurations

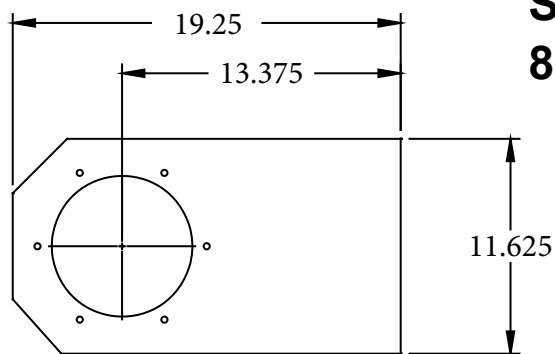
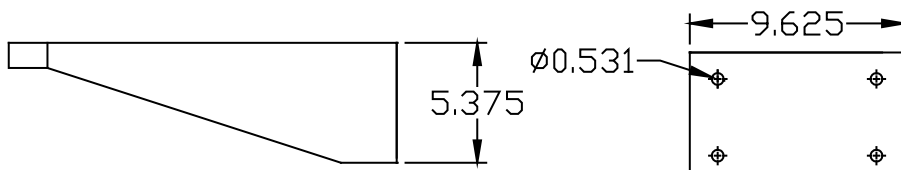
**TECHNICAL
INFORMATION**

In the interest of continuing product improvement,
we reserve the right to change models,
specifications, and/or features without prejudice.

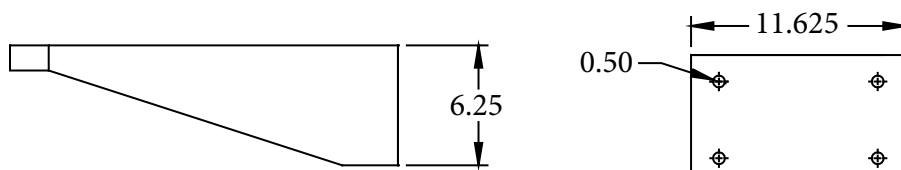
PROJECT: _____
LOCATION: _____
ARCHITECT: _____
ENGINEER: _____
CONTRACTOR: _____
DATE: _____ SALES ENGINEER: _____



**Series 15000-TT
6" Tube Type Arm Wall Bracket**



**Series 15000-TT
8" Tube Type Arm Wall Bracket**

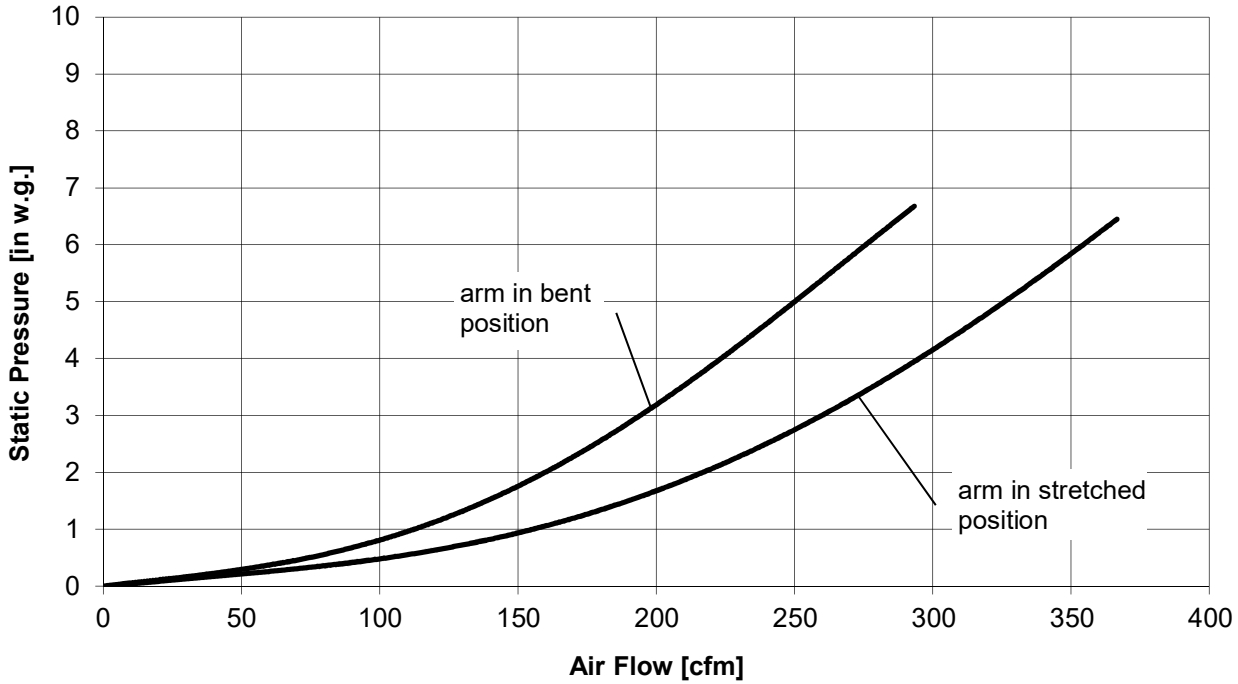


**TECHNICAL
INFORMATION**

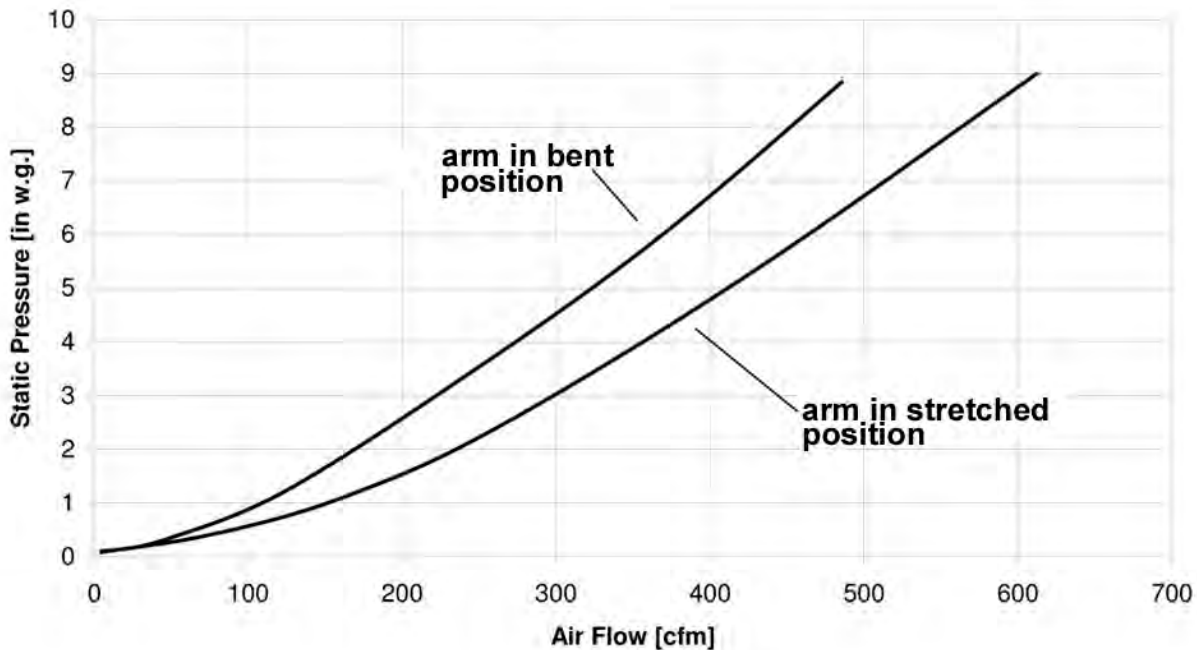
In the interest of continuing product improvement, we reserve the right to change models, specifications, and/or features without prejudice.

PROJECT: _____
 LOCATION: _____
 ARCHITECT: _____
 ENGINEER: _____
 CONTRACTOR: _____
 DATE: _____ SALES ENGINEER: _____

**15000-TT
4" diameter arm**



**15000-TT
5" diameter arm**

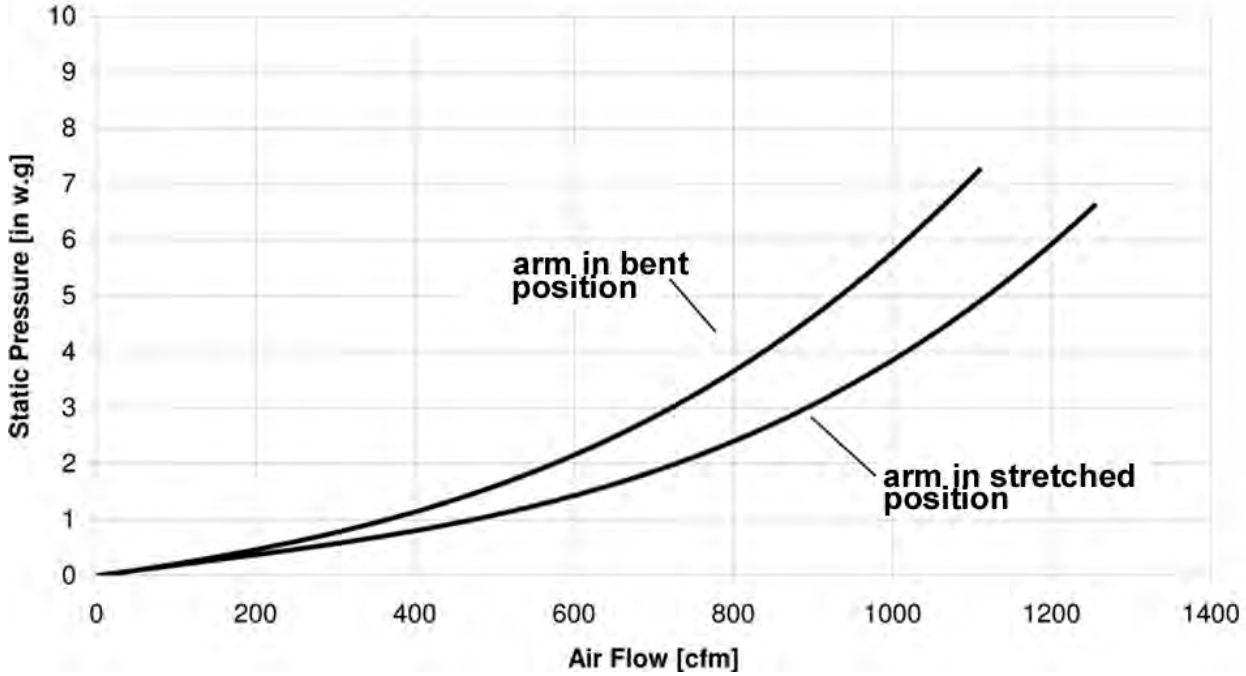


**TECHNICAL
INFORMATION**

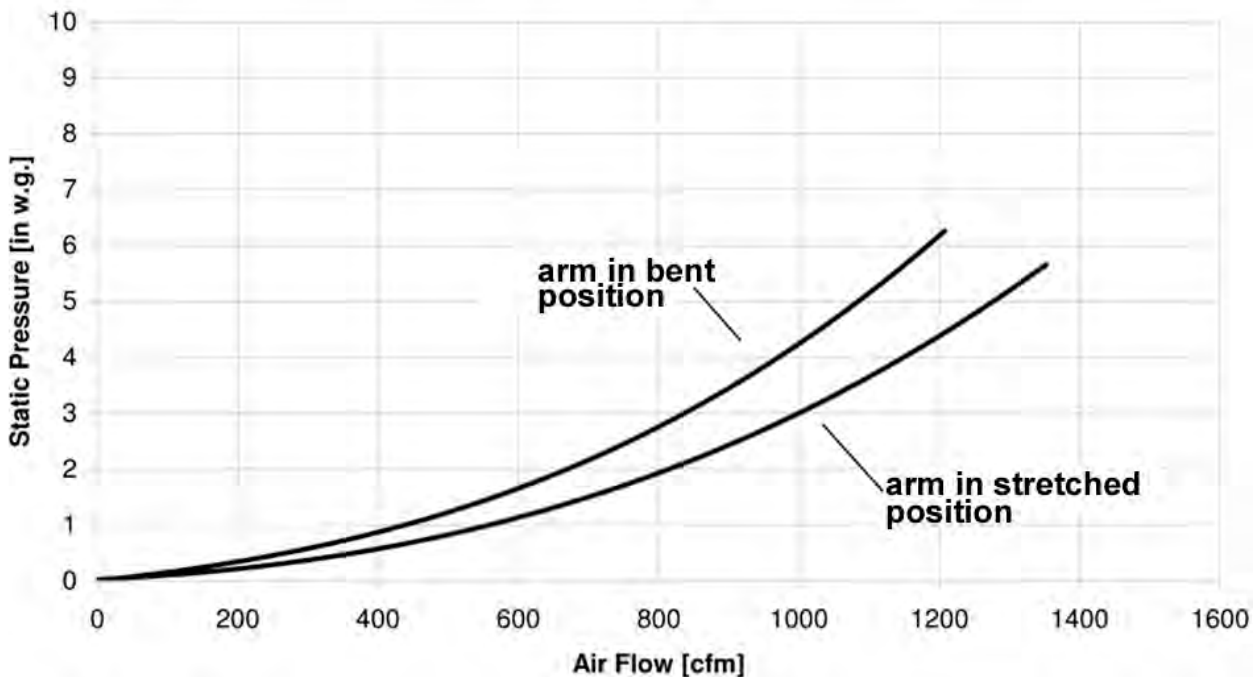
In the interest of continuing product improvement, we reserve the right to change models, specifications, and/or features without prejudice.

PROJECT: _____
 LOCATION: _____
 ARCHITECT: _____
 ENGINEER: _____
 CONTRACTOR: _____
 DATE: _____ SALES ENGINEER: _____

**15000-TT
6" diameter arm**



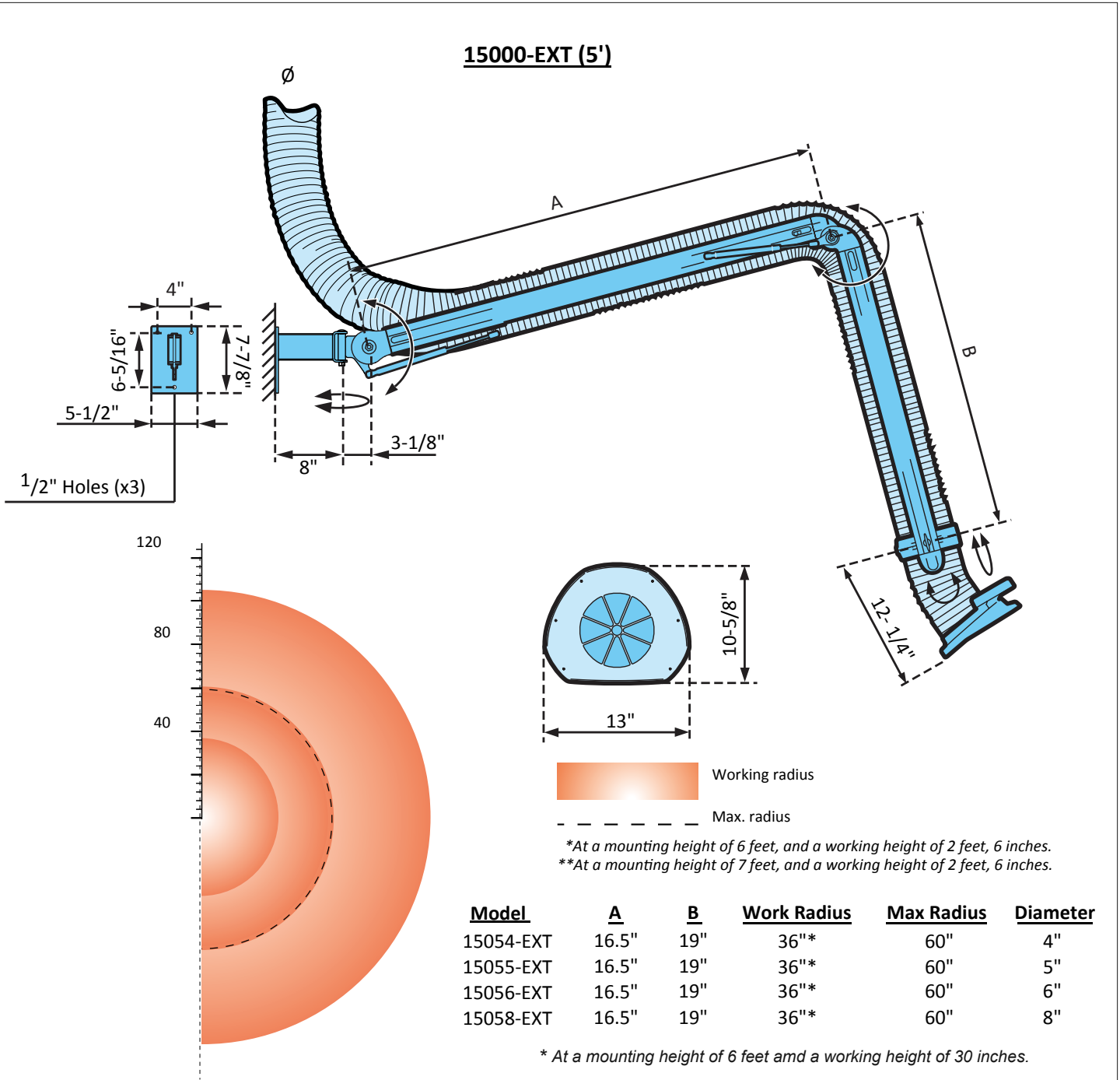
**15000-TT
8" diameter arm**



**TECHNICAL
INFORMATION**

In the interest of continuing product improvement,
we reserve the right to change models,
specifications, and/or features without prejudice.

PROJECT: _____
 LOCATION: _____
 ARCHITECT: _____
 ENGINEER: _____
 CONTRACTOR: _____
 DATE: _____ SALES ENGINEER: _____



Nozzle: Injection molded in with hood plate in anodized aluminum.

Hose: Hose of dark-blue PE-coated polyamide fabric rated to 215 degrees F.

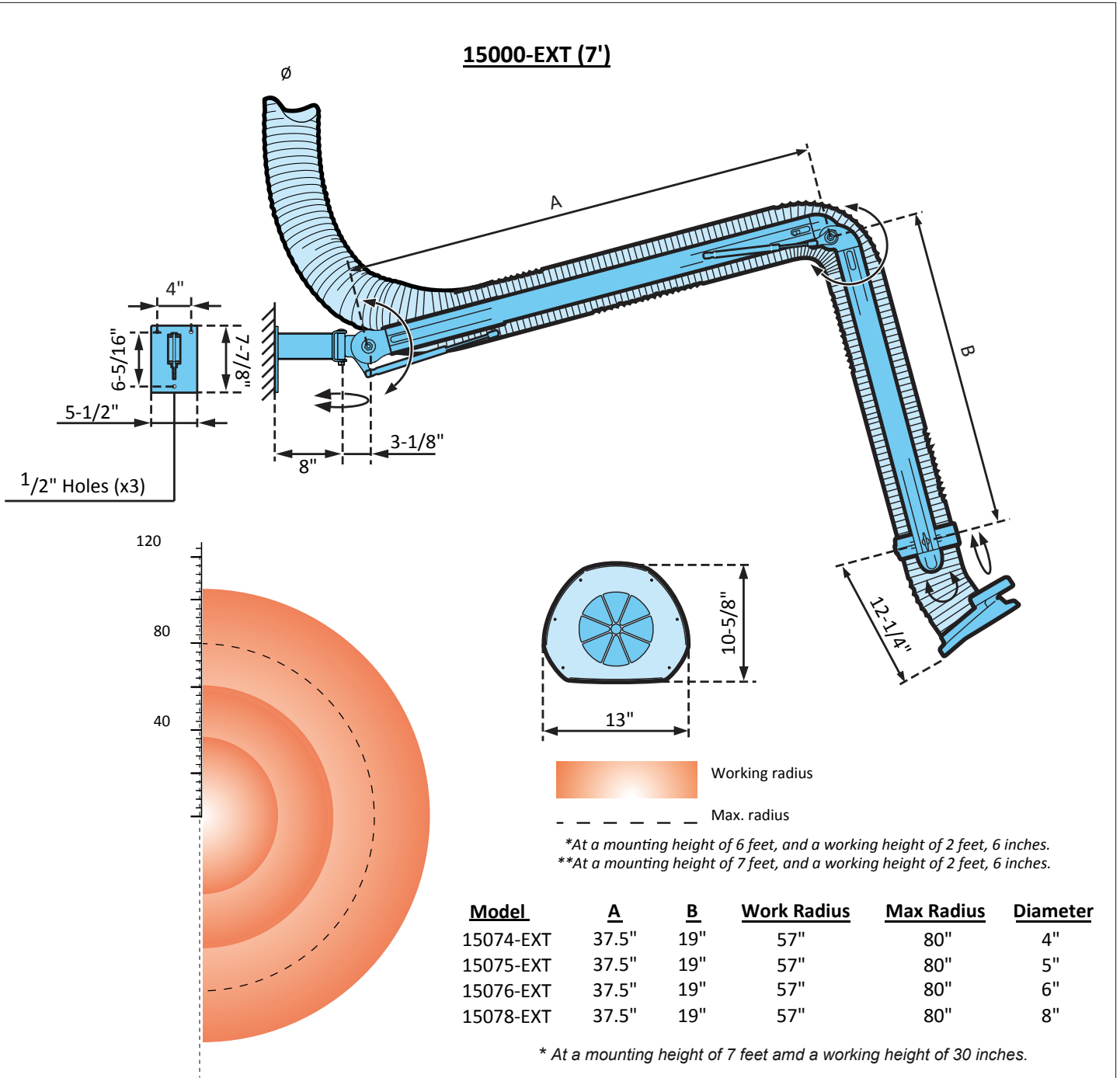
Other options available (chemical & abrasion resistant) - please consult factory

Optional light kit or fan/damper switch available.

**TECHNICAL
INFORMATION**

In the interest of continuing product improvement,
we reserve the right to change models,
specifications, and/or features without prejudice.

PROJECT: _____
 LOCATION: _____
 ARCHITECT: _____
 ENGINEER: _____
 CONTRACTOR: _____
 DATE: _____ SALES ENGINEER: _____



Nozzle: Injection molded in with hood plate in anodized aluminum.

Hose: Hose of dark-blue PE-coated polyamide fabric rated to 215 degrees F.

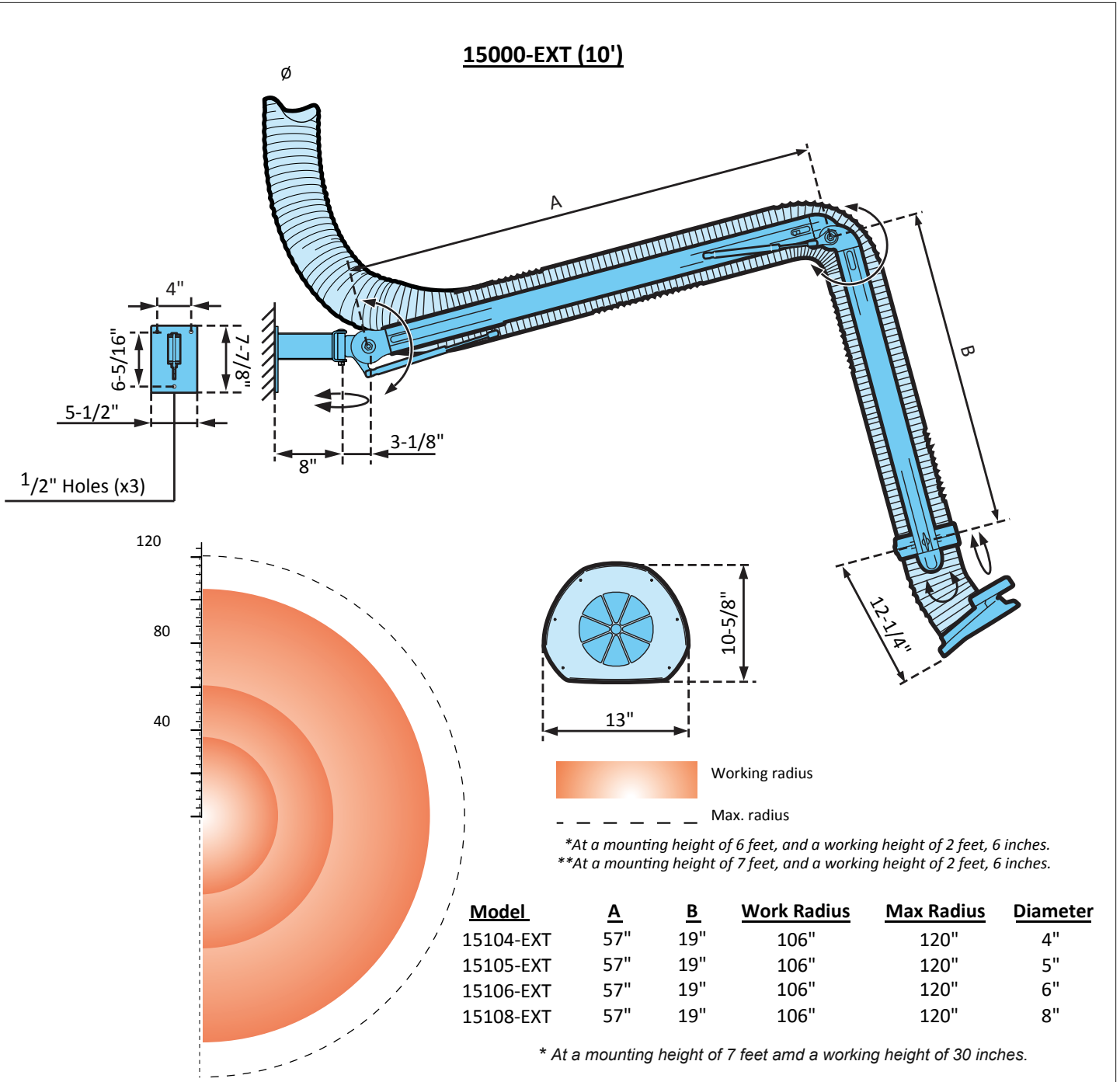
Other options available (chemical & abrasion resistant) - please consult factory

Optional light kit or fan/damper switch available.

**TECHNICAL
INFORMATION**

In the interest of continuing product improvement,
we reserve the right to change models,
specifications, and/or features without prejudice.

PROJECT: _____
 LOCATION: _____
 ARCHITECT: _____
 ENGINEER: _____
 CONTRACTOR: _____
 DATE: _____ SALES ENGINEER: _____



Nozzle: Injection molded in with hood plate in anodized aluminum.

Hose: Hose of dark-blue PE-coated polyamide fabric rated to 215 degrees F.

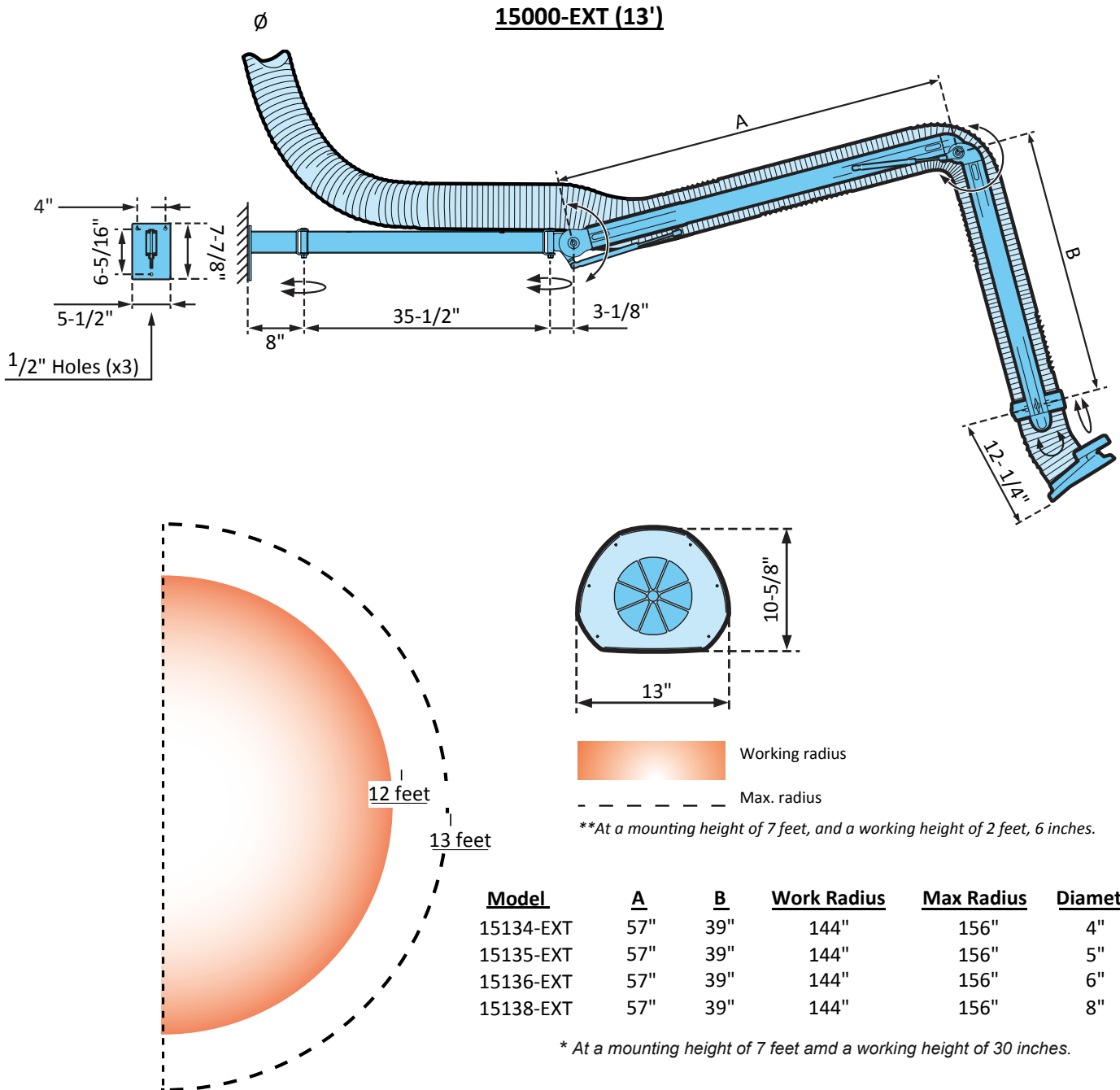
Other options available (chemical & abrasion resistant) - please consult factory

Optional light kit or fan/damper switch available.

**TECHNICAL
INFORMATION**

In the interest of continuing product improvement,
we reserve the right to change models,
specifications, and/or features without prejudice.

PROJECT: _____
 LOCATION: _____
 ARCHITECT: _____
 ENGINEER: _____
 CONTRACTOR: _____
 DATE: _____ SALES ENGINEER: _____



Nozzle: Injection molded in with hood plate in anodized aluminum.

Hose: Hose of dark-blue PE-coated polyamide fabric rated to 215 degrees F.

Other options available (chemical & abrasion resistant) - please consult factory

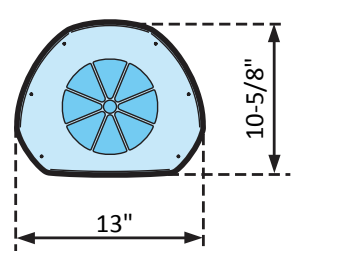
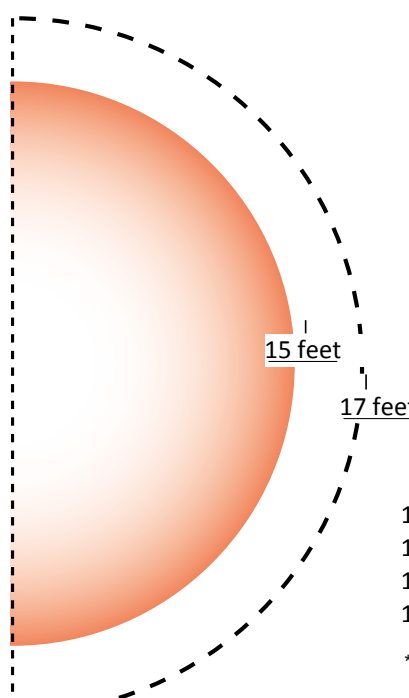
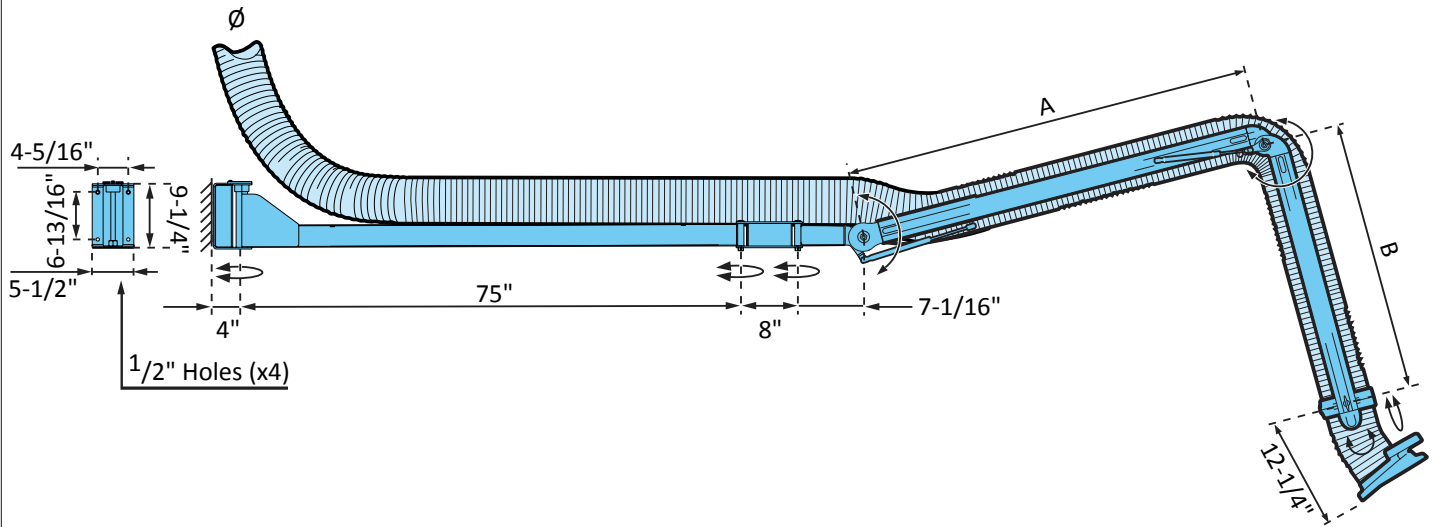
Optional light kit or fan/damper switch available.

**TECHNICAL
INFORMATION**

In the interest of continuing product improvement,
we reserve the right to change models,
specifications, and/or features without prejudice.

PROJECT: _____
 LOCATION: _____
 ARCHITECT: _____
 ENGINEER: _____
 CONTRACTOR: _____
 DATE: _____ SALES ENGINEER: _____

15000-EXT (11')



Working radius
 Max. radius
 **At a mounting height of 7 feet, and a working height of 2 feet, 6 inches.

Model	A	B	Work Radius	Max Radius	Diameter
15164-EXT	57"	39"	180"	204"	4"
15165-EXT	57"	39"	180"	204"	5"
15166-EXT	57"	39"	180"	204"	6"
15168-EXT	57"	39"	180"	204"	8"

* At a mounting height of 8 feet 3 inches and a working height of 30 inches.

Nozzle: Injection molded in with hood plate in anodized aluminum.
Hose: Hose of dark-blue PE-coated polyamide fabric rated to 215 degrees F.
 Other options available (chemical & abrasion resistant) - please consult factory
 Optional light kit or fan/damper switch available.

**TECHNICAL
INFORMATION**

In the interest of continuing product improvement,
we reserve the right to change models,
specifications, and/or features without prejudice.

PROJECT: _____
LOCATION: _____
ARCHITECT: _____
ENGINEER: _____
CONTRACTOR: _____
DATE: _____ SALES ENGINEER: _____

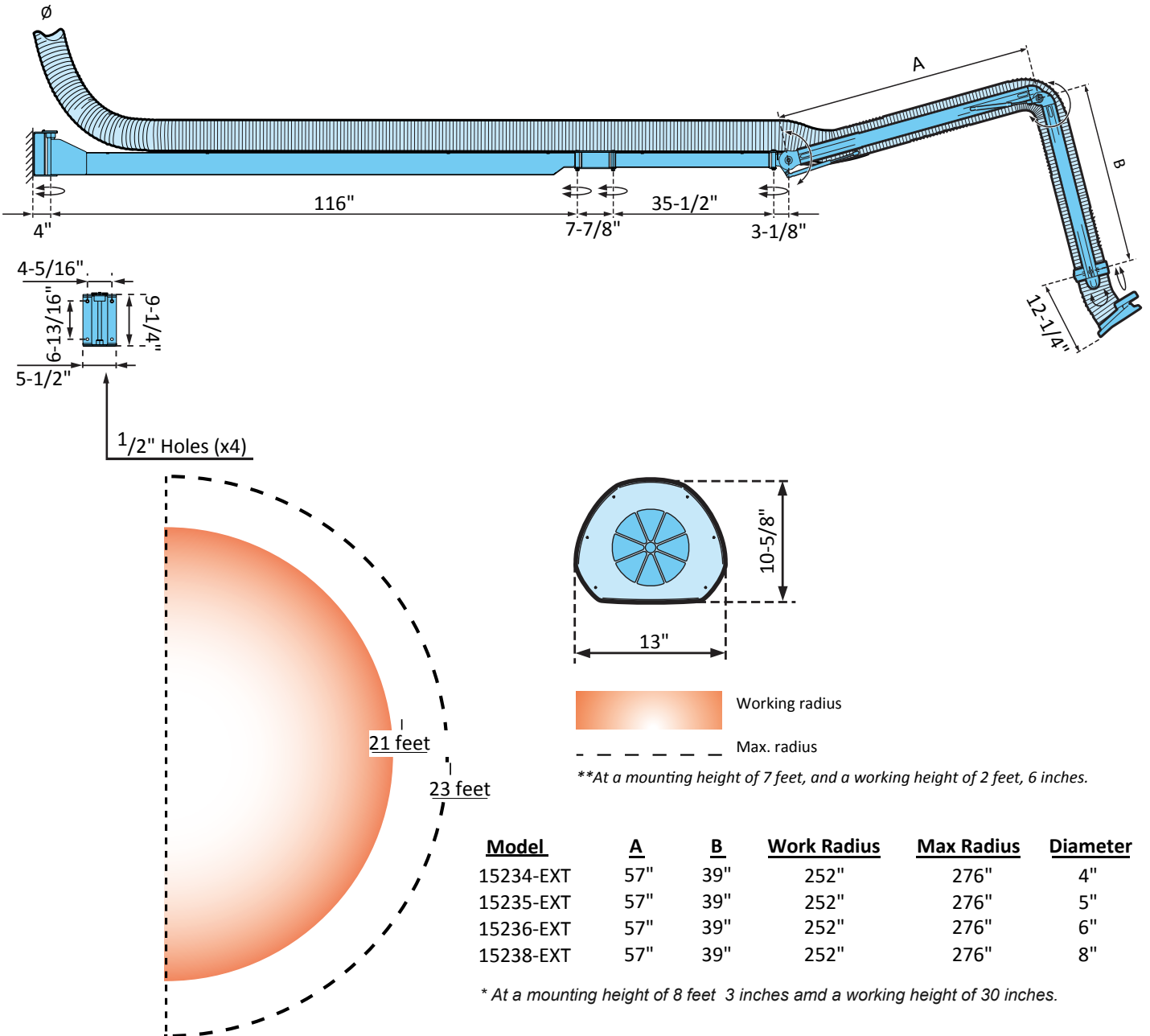
www.monoxivent.com

info@monoxivent.com

309-794-1000

Page: WSC-14F

15000-EXT (23')



Nozzle: Injection molded in with hood plate in anodized aluminum.

Hose: Hose of dark-blue PE-coated polyamide fabric rated to 215 degrees F.

Other options available (chemical & abrasion resistant) - please consult factory

Optional light kit or fan/damper switch available.

**TECHNICAL
INFORMATION**

In the interest of continuing product improvement,
we reserve the right to change models,
specifications, and/or features without prejudice.

PROJECT: _____
 LOCATION: _____
 ARCHITECT: _____
 ENGINEER: _____
 CONTRACTOR: _____
 DATE: _____ SALES ENGINEER: _____

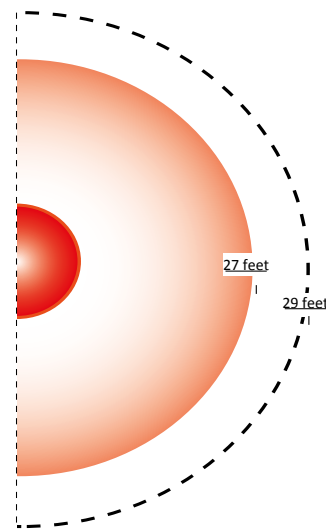
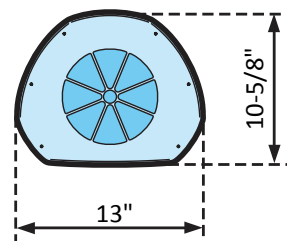
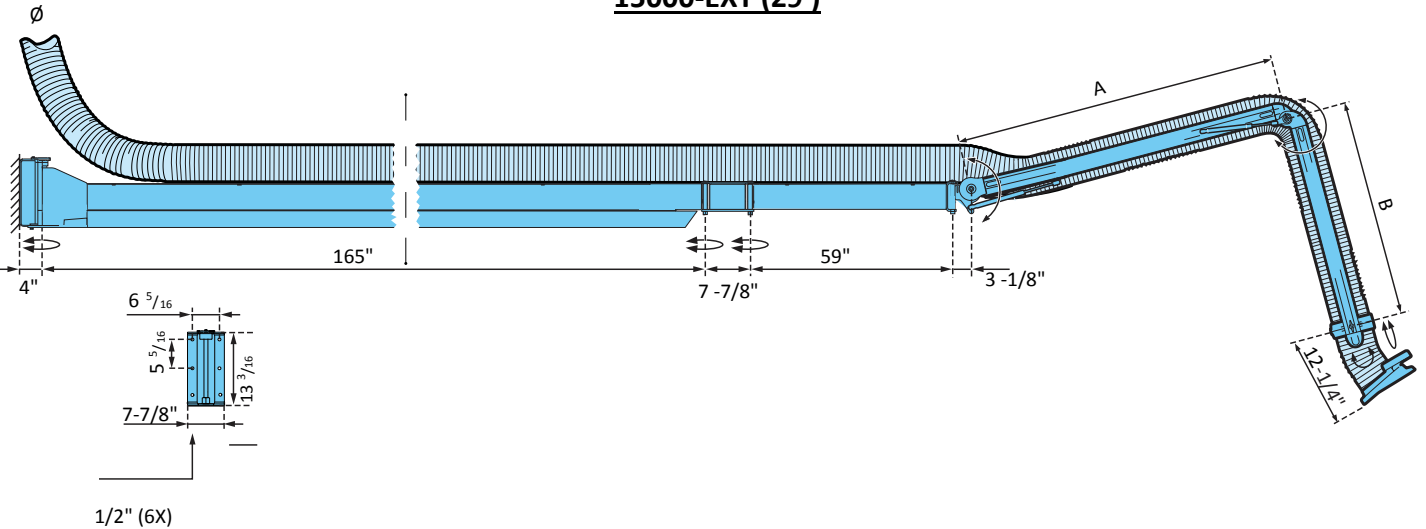
www.monoxivent.com

info@monoxivent.com

309-794-1000

Page: WSC-14G

15000-EXT (29')



Working radius*
 Non-working area
 Max. radius

Model	A	B	Work Radius	Max Radius	Diameter
15294-EXT	57"	39"	324"	348"	4"
15295-EXT	57"	39"	324"	348"	5"
15296-EXT	57"	39"	324"	348"	6"
15298-EXT	57"	39"	324"	348"	8"

* At a mounting height of 8 feet 3 inches and a working height of 30 inches.

Nozzle: Injection molded in with hood plate in anodized aluminum.
Hose: Hose of dark-blue PE-coated polyamide fabric rated to 215 degrees F.
 Other options available (chemical & abrasion resistant) - please consult factory
 Optional light kit or fan/damper switch available.

**TECHNICAL
INFORMATION**

In the interest of continuing product improvement,
we reserve the right to change models,
specifications, and/or features without prejudice.

PROJECT: _____
 LOCATION: _____
 ARCHITECT: _____
 ENGINEER: _____
 CONTRACTOR: _____
 DATE: _____ SALES ENGINEER: _____

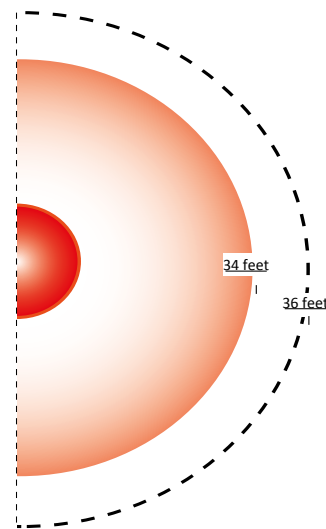
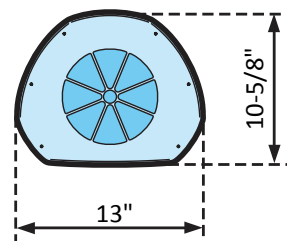
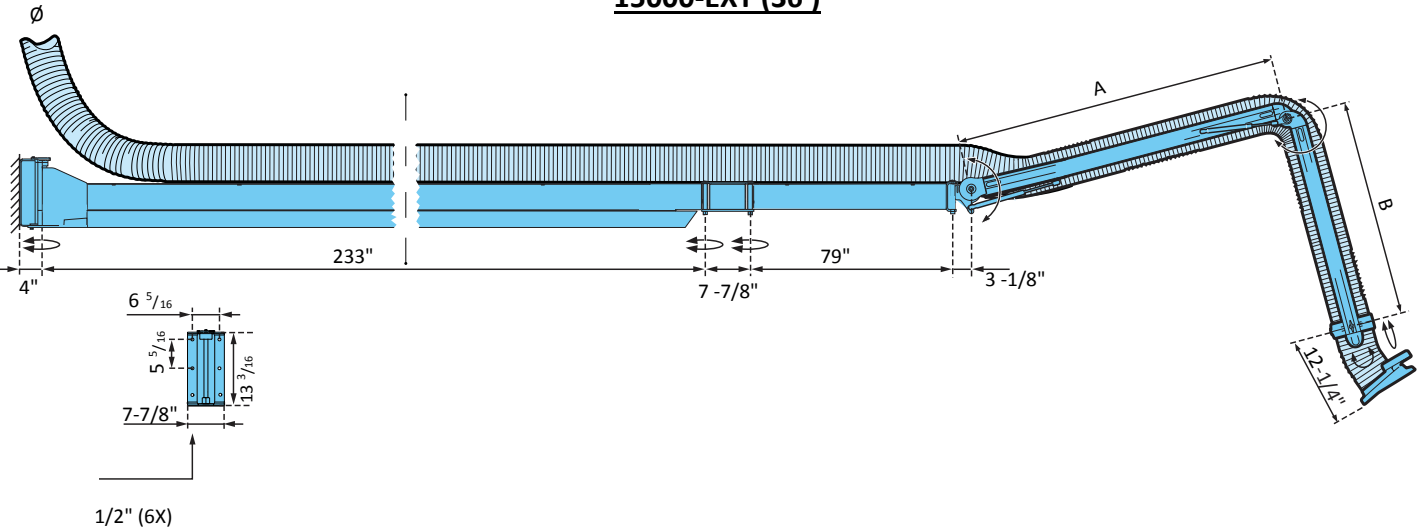
www.monoxivent.com

info@monoxivent.com

309-794-1000

Page: WSC-14H

15000-EXT (36')



Working radius*
 Non-working area
 Max. radius

Model	A	B	Work Radius	Max Radius	Diameter
15364-EXT	57"	39"	406"	432"	4"
15365-EXT	57"	39"	406"	432"	5"
15366-EXT	57"	39"	406"	432"	6"
15368-EXT	57"	39"	406"	432"	8"

* At a mounting height of 8 feet 3 inches and a working height of 30 inches.

Nozzle: Injection molded in with hood plate in anodized aluminum.
Hose: Hose of dark-blue PE-coated polyamide fabric rated to 215 degrees F.
 Other options available (chemical & abrasion resistant) - please consult factory
 Optional light kit or fan/damper switch available.



Technical Data:
Pivoting Boom Arm

TECHNICAL INFORMATION

In the interest of continuing product improvement, we reserve the right to change models, specifications, and/or features without prejudice.

PROJECT: _____
 LOCATION: _____
 ARCHITECT: _____
 ENGINEER: _____
 CONTRACTOR: _____
 DATE: _____ SALES ENGINEER: _____

www.monoxivent.com

info@monoxivent.com

309-794-1000

Page: WSC-15

TECHNICAL DATA: PIVOTING BOOM ARM

BA & SB PIVOTING SWIVEL BOOM EXTENSION:

The pivoting boom extension is a one piece pivoting rigid extension. Many accessories can be mounted directly on the end of the BA & SB (Boom Arm & Swivel Boom).

The BA & SB are supplied with a pivoting wall/column bracket constructed of a one piece, die formed, 3/8" industrial steel plate. The horizontal boom is of a truss type design, using 2" x 2" and 4" x 2" heavy gauge tubular steel. The top and bottom horizontal sections are welded together using vertical tubular sections. The end of the BA & SB is supplied with a welded heavy gauge steel angle iron ring. This angle ring is pre-drilled to allow for the connection of many of the optional end accessories for easy and quick field assembly. The BA & SB extension is supplied with the hard duct supported on the top side of the boom by duct cradles. Flexible hose is supplied to connect the hard duct to the angle iron ring and also to make the connection at the mounting location of the boom to either a fan or a duct branch, which leads to a central fan.

The BA & SB boom is available in the following lengths: 7', 10', and 13'. The duct diameter on the top of the boom is a standard 6". Consult factory for other measurements and applications. The product is supplied with an industrial grade powder coating.

PAC - PIVOTING ARTICULATING CRANE ARM:

The Pivoting Articulating Crane (PAC) is designed to allow the end of the crane and its accessories to be positioned at any point within its extended radius length. The PAC has a full pivoting wall/column bracket with a center pivoting joint, which allows the PAC to swivel, fold, and create a scissor effect at the center joint.

The wall/column mount bracket is constructed of a one piece, die formed, 3/8" industrial steel plate. The first section of the PAC horizontal extension is constructed of 4" x 2" tubular steel. The second section of the PAC horizontal extension is constructed of 4" x 2" tubular steel.

The two horizontal sections are joined together by graded bolts and hardware to allow for easy and free movement of the two sections. The PAC is supplied with two hard duct sections that sit on duct cradles on the top side of each of the horizontal sections. The PAC is supplied with two sections of flexible hose. One flexible hose section connects the two hard duct sections at the middle pivot joint and the second flexible hose is for connection of the first hard duct section to either a fan inlet or to a hard duct branch leading to a central fan.

The PAC is supplied with the following lengths: 10', 15', and 20'. The PAC is supplied in the following diameters: 4", 5", 6", or 8". Larger diameters are available, please consult factory. The PAC is supplied with industrial grade black powder coating with yellow safety strips.



Pivoting Crane Arms
Swivel Boom Extensions
Series: BA/SB/PAC

TECHNICAL INFORMATION

In the interest of continuing product improvement, we reserve the right to change models, specifications, and/or features without prejudice.

PROJECT: _____
LOCATION: _____
ARCHITECT: _____
ENGINEER: _____
CONTRACTOR: _____
DATE: _____ SALES ENGINEER: _____

www.monoxivent.com

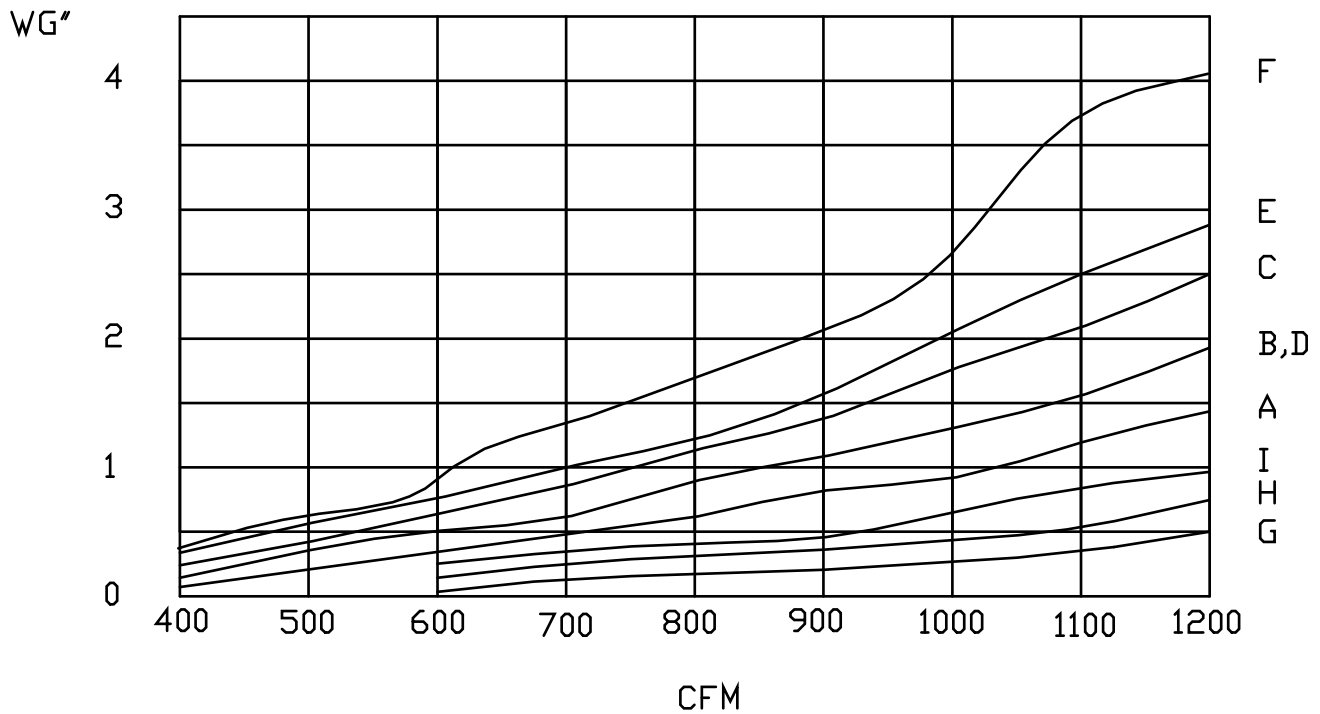
info@monoxivent.com

309-794-1000

Page: WSC-16

<u>Graph Letter</u>	<u>Model</u>	<u>Description</u>
A	SB-7/BA-7	7' x 6" Swivel Boom and Boom for Arm
B	SB-10/BA-10	10' x 6" Swivel Boom and Boom for Arm
C	SB-13/BA-13	13' x 6" Swivel Boom and Boom for Arm
D	PAC-10	10' x 6" Pivoting Articulating Crane
E	PAC-15	15' X 6" Pivoting Articulating Crane
F	PAC-20	20' x 6" Pivoting Articulating Crane
G	PAC-10-8	10' x 8" Pivoting Articulating Crane
H	PAC-15-8	15' x 8" Pivoting Articulating Crane
I	PAC-20-8	20' x 8" Pivoting Articulating Crane

* Pressure loss may vary in the PAC since the PAC has a center pivot joint that allows the PAC to fold. The graph, below, takes into consideration moderate center joint bend. The graph is for the loss in the boom and the crane only. The addition of the loss of the end accessory to the boom or crane size is required.

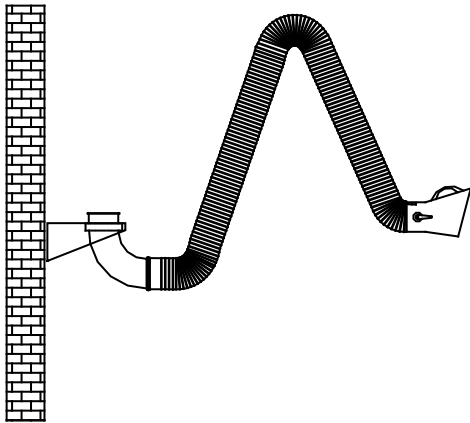


TECHNICAL INFORMATION

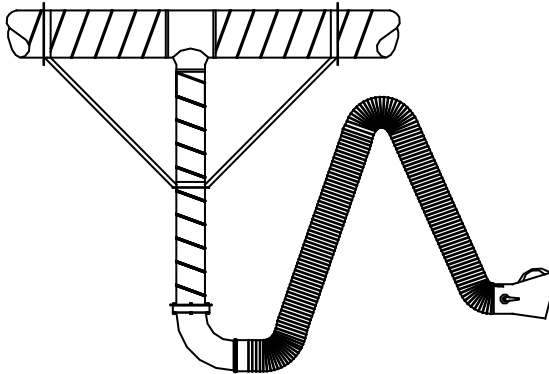
In the interest of continuing product improvement,
we reserve the right to change models,
specifications, and/or features without prejudice.

PROJECT: _____
LOCATION: _____
ARCHITECT: _____
ENGINEER: _____
CONTRACTOR: _____
DATE: _____ SALES ENGINEER: _____

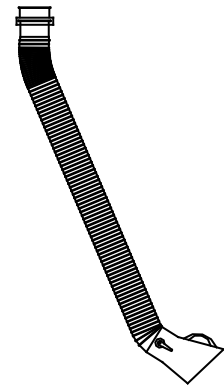
Wall/column mount arm
Series 15000 - Hose
diameters - 6" & 8"



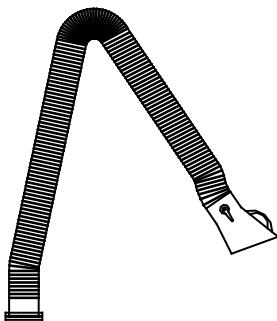
Duct mount arm



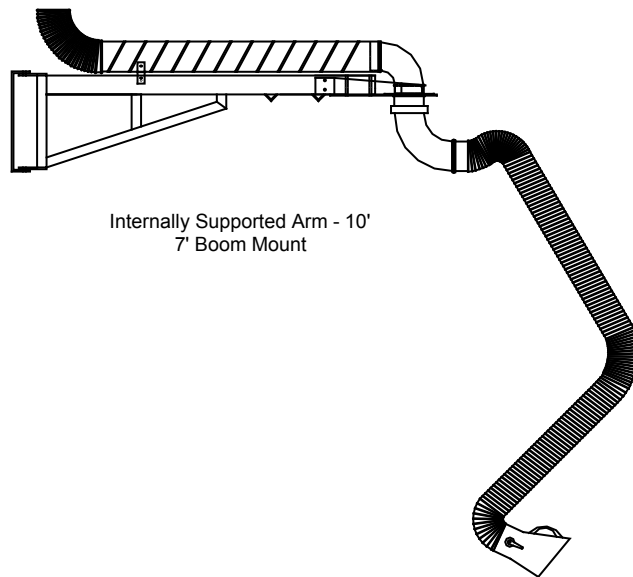
Telescopic arm - available
for wall/column and duct
mounting



Portable mount arm



Boom mounted arm - Series 15000-BA, hose diameter 6" or 8"



Internally Supported Arm - 10'
7' Boom Mount

TECHNICAL INFORMATION

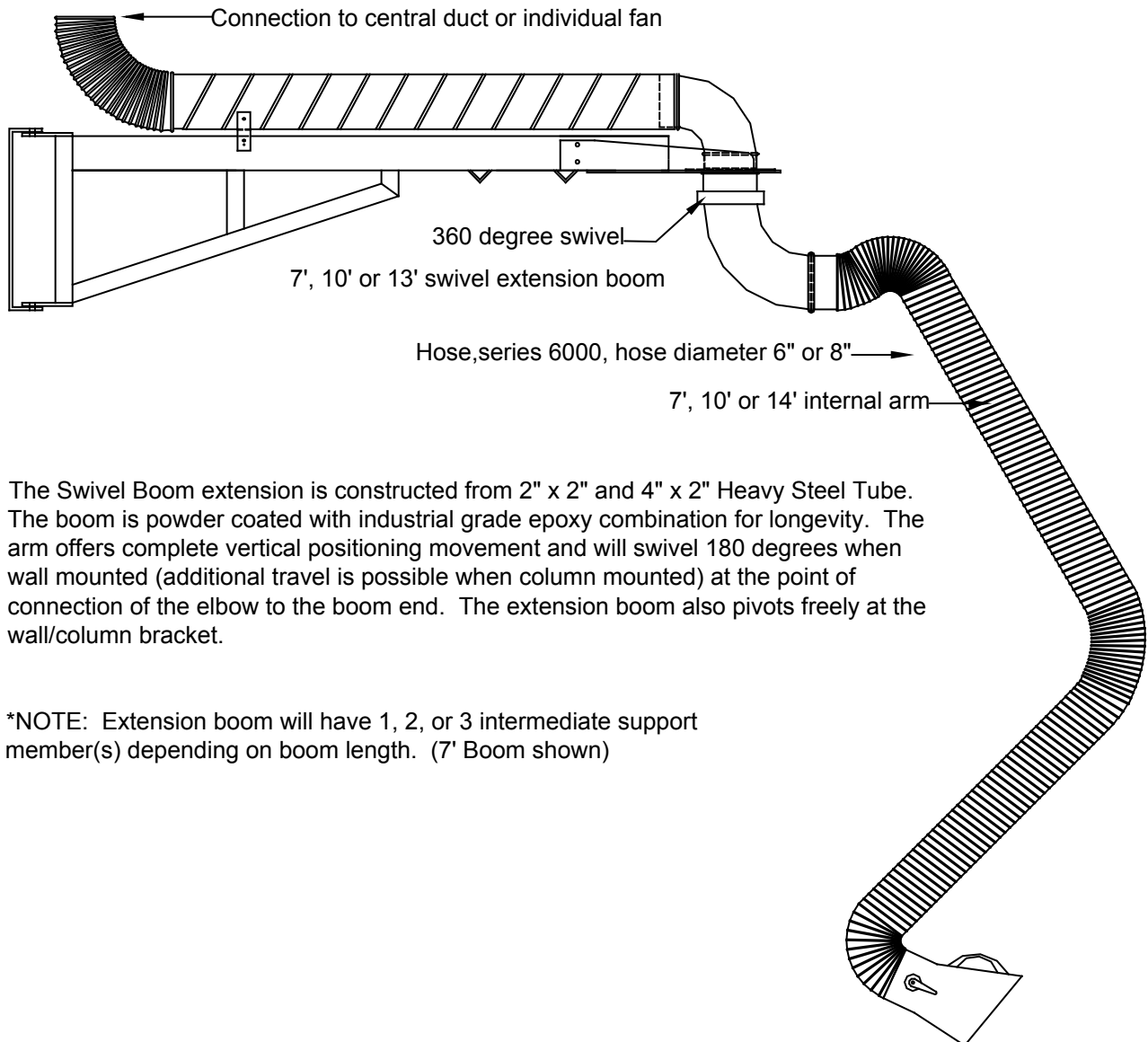
In the interest of continuing product improvement,
we reserve the right to change models,
specifications, and/or features without prejudice.

PROJECT: _____
LOCATION: _____
ARCHITECT: _____
ENGINEER: _____
CONTRACTOR: _____
DATE: _____ SALES ENGINEER: _____

SWIVEL BOOM - INTERNAL FLEXIBLE ARM

The 15000-BA is a package consisting of the Swivel Boom and self supporting Flex Arm that mounts on the end.

Swivel Boom is available in 7', 10' and 13' lengths.
Flex Arm is available in 7', 10' and 14' lengths



The Swivel Boom extension is constructed from 2" x 2" and 4" x 2" Heavy Steel Tube. The boom is powder coated with industrial grade epoxy combination for longevity. The arm offers complete vertical positioning movement and will swivel 180 degrees when wall mounted (additional travel is possible when column mounted) at the point of connection of the elbow to the boom end. The extension boom also pivots freely at the wall/column bracket.

*NOTE: Extension boom will have 1, 2, or 3 intermediate support member(s) depending on boom length. (7' Boom shown)

TECHNICAL INFORMATION

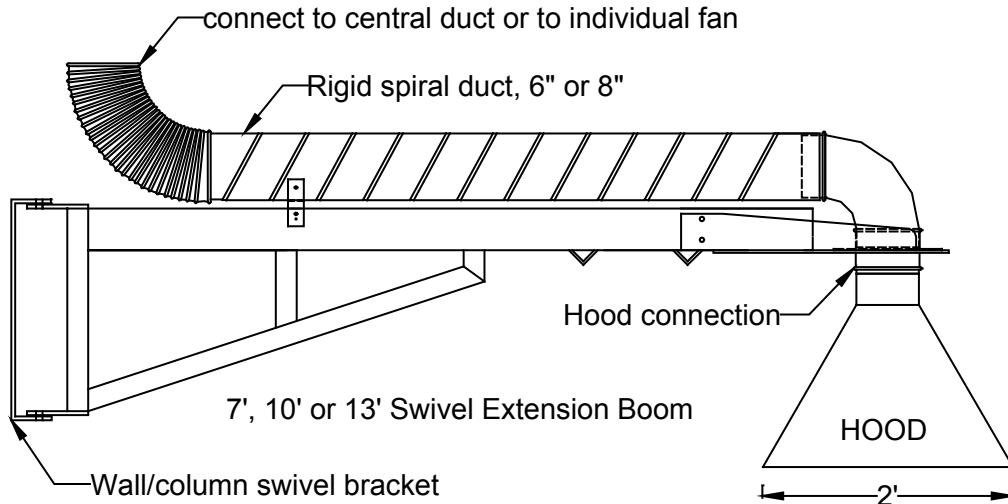
In the interest of continuing product improvement,
we reserve the right to change models,
specifications, and/or features without prejudice.

PROJECT: _____
LOCATION: _____
ARCHITECT: _____
ENGINEER: _____
CONTRACTOR: _____
DATE: _____ SALES ENGINEER: _____

SWIVEL BOOM EXTENSION - SERIES - SB

This drawing shows the SB with a fixed round opening hood. The hood's standard opening is 24". Other diameters are available. The Swivel Boom Extension is available in three lengths: SB-7 (7'), SB-10 (10') and SB-13 (13'). The flex hose connects to a central duct or to an individual fan.

SWIVEL BOOM EXTENSION - STAINLESS STEEL HOOD - SERIES 15000-BH

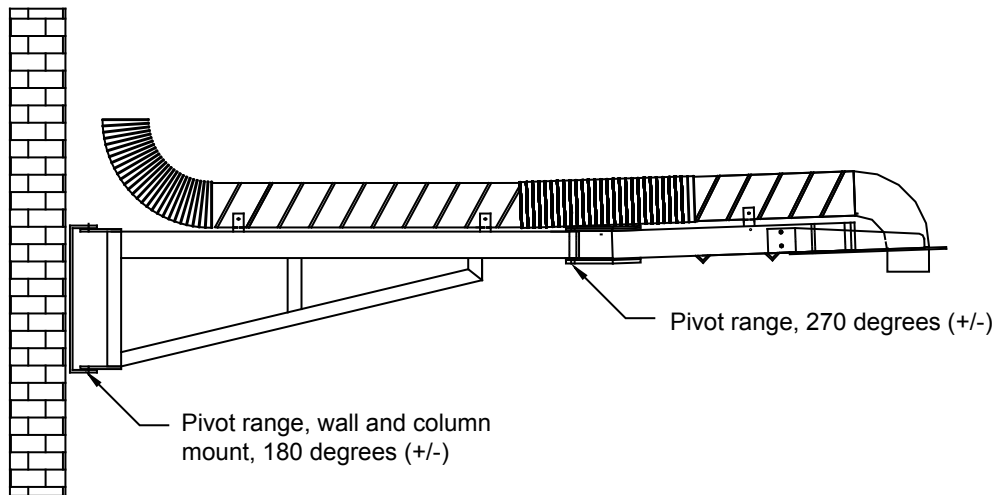


The series SB is constructed from heavy 2" x 2" and 4" x 2" heavy wall tube. All steel tubing is powder coated industrial grade epoxy paint for longevity.

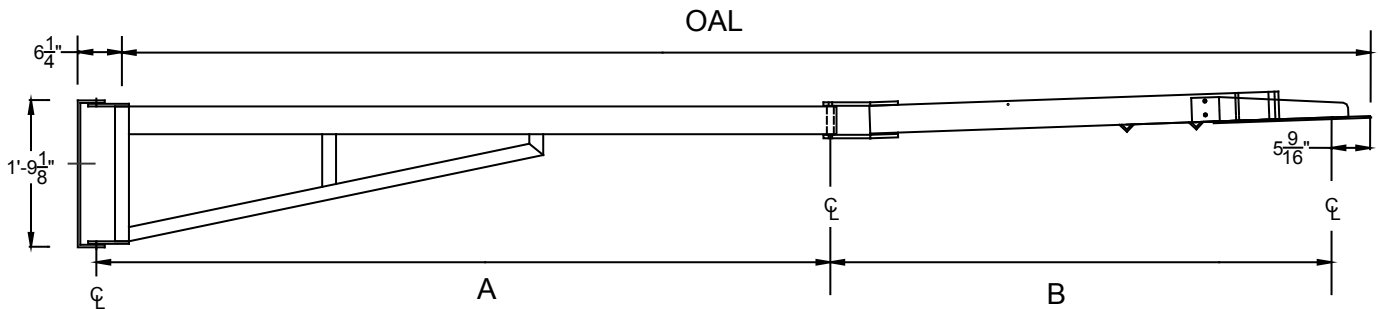
The SB System with the fixed hood is designed for many applications. The hood can be pivoted over vehicle vertical stacks, welding tables, airborne dust, fumes or other areas where airborne hazards need to be controlled. The SB can be ducted into a central duct system or each SB can have its own individual fan.

PIVOTING ARTICULATED CRANE

SERIES - PAC



MODEL	A	B	OAL
PAC-10	6'	4'	10'
PAC-15	9'	6'	15'
PAC-20	11'	9'	20'



Drawings depicts PAC (Pivoting Articulated Crane) arm only. Drawing shows lengths and range of movement

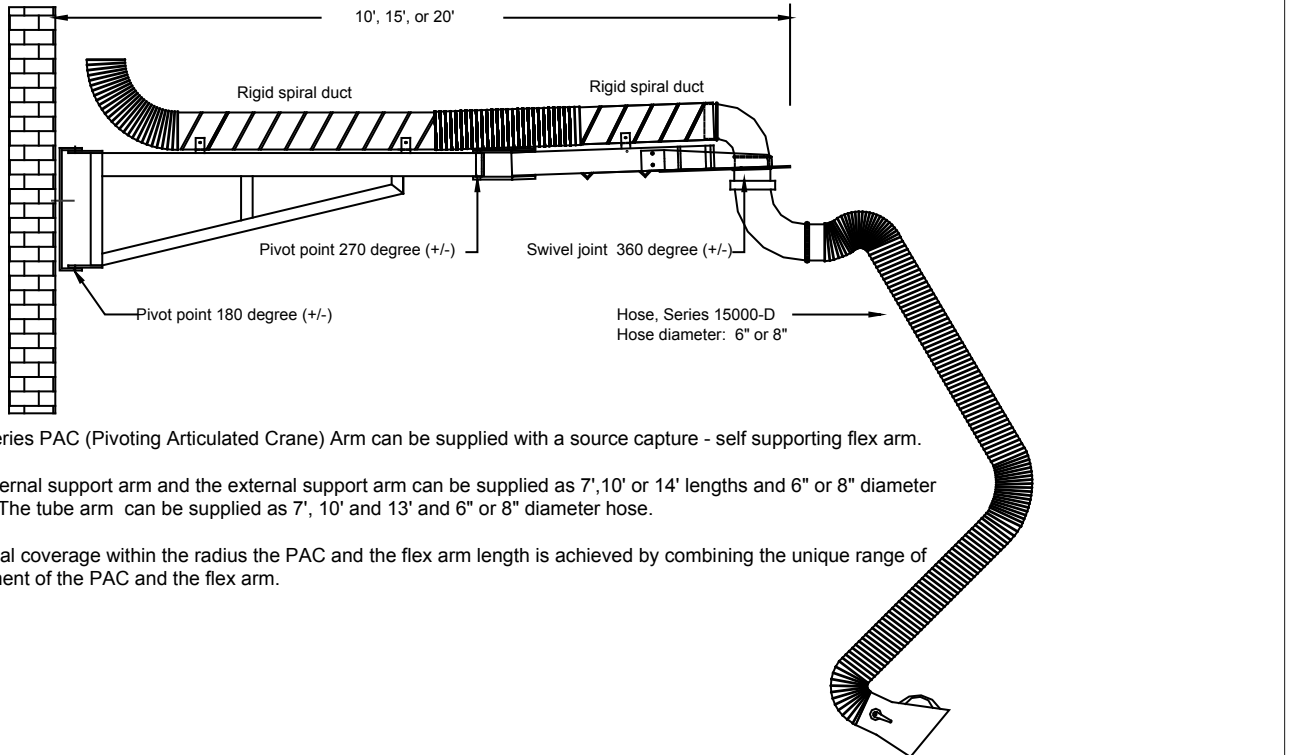
Other catalog pages display accessories to mount to the PAC.

**TECHNICAL
INFORMATION**

Pivoting Articulated
Crane, Using Self
Supported Arm Options

In the interest of continuing product improvement,
we reserve the right to change models,
specifications, and/or features without prejudice.

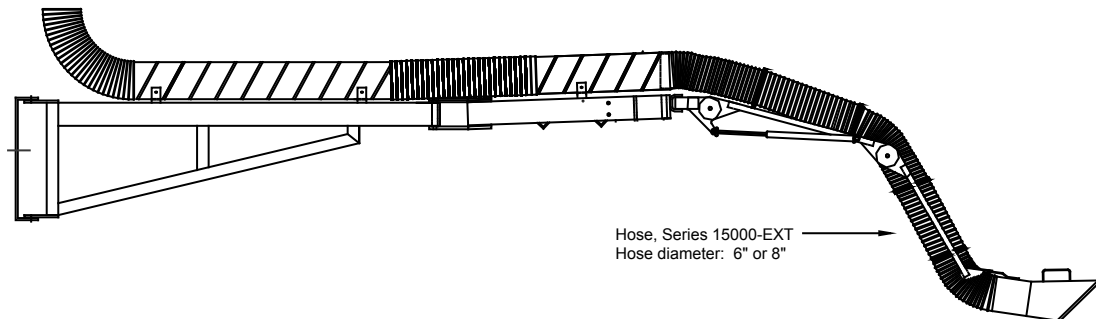
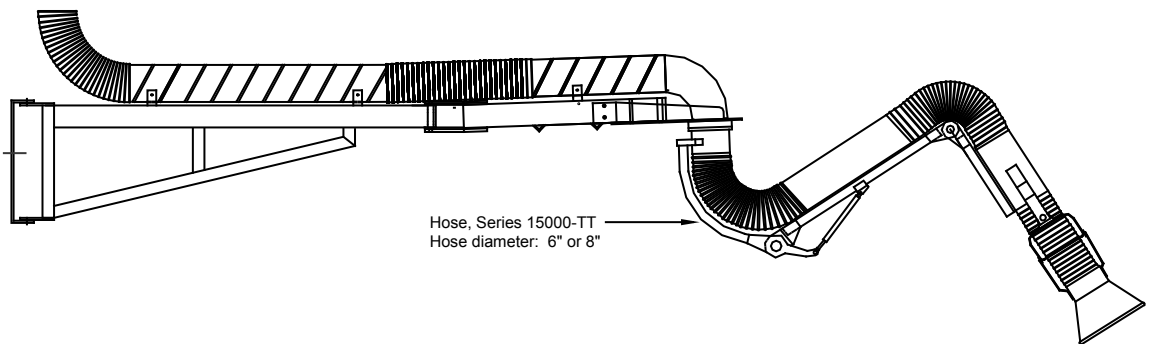
PROJECT: _____
 LOCATION: _____
 ARCHITECT: _____
 ENGINEER: _____
 CONTRACTOR: _____
 DATE: _____ SALES ENGINEER: _____

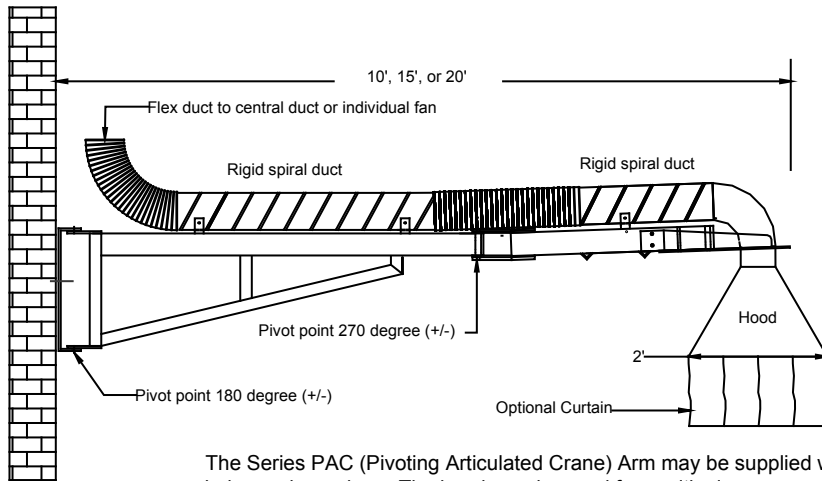


The Series PAC (Pivoting Articulated Crane) Arm can be supplied with a source capture - self supporting flex arm.

The internal support arm and the external support arm can be supplied as 7', 10' or 14' lengths and 6" or 8" diameter hose. The tube arm can be supplied as 7', 10' and 13' and 6" or 8" diameter hose.

The total coverage within the radius the PAC and the flex arm length is achieved by combining the unique range of movement of the PAC and the flex arm.

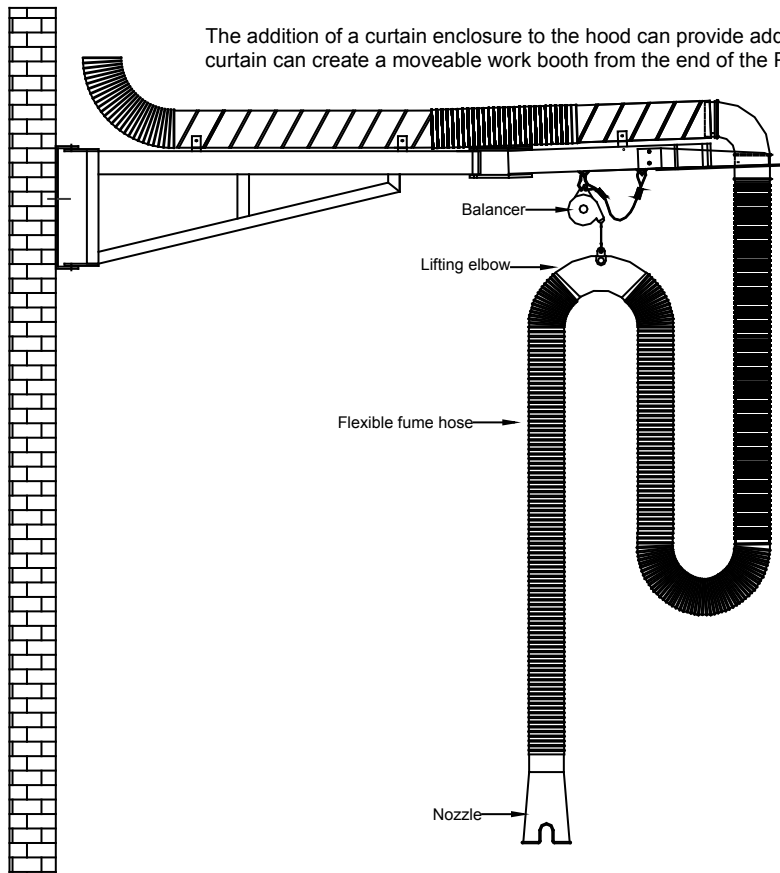




The Series PAC (Pivoting Articulated Crane) Arm may be supplied with a 24" round hood or a balancer hose drop. The hood may be used for positioning over vertical exhaust pipes of vehicles, positioned above welding areas or other work stations where air borne particulate needs to be controlled. The balancer drop can be provided with a number of nozzle options for attachment to fume sources.

The unique range of movement of the PAC allows the positioning of hood or balancer drop anywhere within the radius reach of the PAC.

The addition of a curtain enclosure to the hood can provide additional reach to the fume source. The curtain can create a moveable work booth from the end of the PAC.





MNX Mini/Lab Arm
MNX-MEA Series

TECHNICAL INFORMATION

In the interest of continuing product improvement,
we reserve the right to change models,
specifications, and/or features without prejudice.

PROJECT: _____
LOCATION: _____
ARCHITECT: _____
ENGINEER: _____
CONTRACTOR: _____
DATE: _____ SALES ENGINEER: _____

www.monoxivent.com

info@monoxivent.com

309-794-1000

Page: WSC-23

Monoxivent **Mini Extraction Arms** **Series: MNX-MEA**

The MNX-MEA – a local extractor with friction joints for worksites where great flexibility is important (2", 3" and 4" diameter).

MNX-MEA is a local extractor with friction joints designed for use in worksites where great flexibility is required, i.e. laboratories and the electronics industry.

The friction joints with ball bearings make positioning convenient and simple.

The MNX-MEA is a very flexible local extractor that stays in position when adjusted, due to the easily adjustable joints, 360-degree swivel, brackets, and support springs.

All necessary adjustments of joints etc. can easily be made with one hand. The smooth aluminum tubes and easily dismantled plastic joints facilitate cleaning the inside of the suction tubes. Should it be necessary, the complete extractor can easily be dismantled.

The standard MNX-MEA is supplied with an air tight damper and delivered with white plastic joints and anodized aluminum tubes, for table, ceiling, or wall mounting.

Technology, Design, and Function

The large friction diameter and the one-hand operation of the adjustment knob offer very flexible function with a stable joint that stays in position. With this feature, no great force needs to be applied, no tools are required. The joint has reinforced indentations, which prevents deformation that would cause the "O" ring to slip, or the joint to crack. Ball bearings insulate the set friction, which facilitates to move the arm up and down without damaging the joint or losing stability or function.

The extraction arm is always mounted with a complete swivel that may be rotated 360-degrees. In addition, the mounting swivel is adapted to connection with a standard 4" spiral duct. This applies to arms with a dimension of 2", 3" or 4". Fit the wall or ceiling bracket with short screws supplied with the arm. When connecting to other dimensions, use standard reducers down to 3 1/8", 3", and 2".

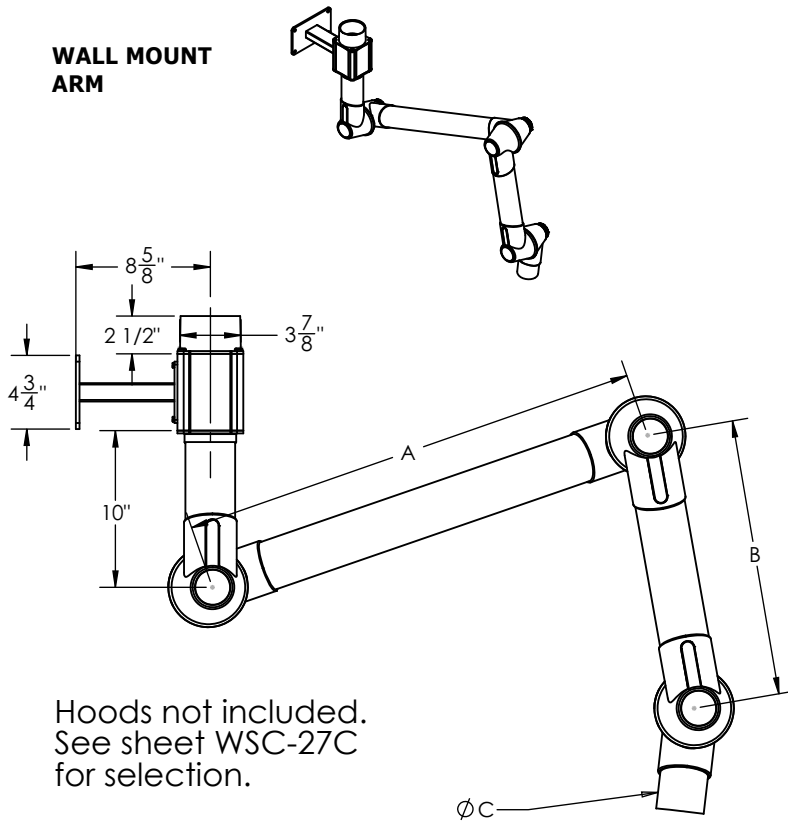
**TECHNICAL
INFORMATION**

In the interest of continuing product improvement, we reserve the right to change models, specifications, and/or features without prejudice.

PROJECT: _____
 LOCATION: _____
 ARCHITECT: _____
 ENGINEER: _____
 CONTRACTOR: _____
 DATE: _____ SALES ENGINEER: _____

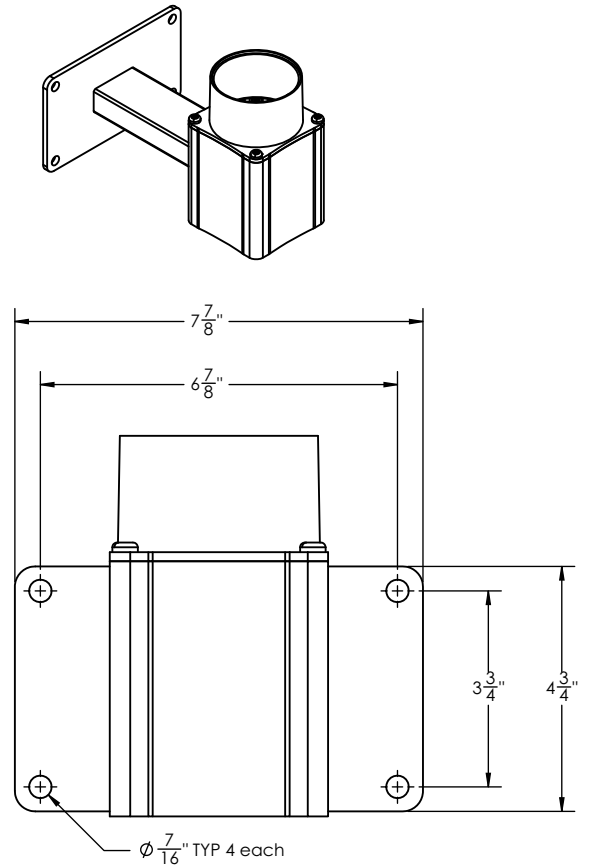
**MONOXIVENT
MNX Mini/Lab Arm, Wall Mounting (wall bracket included)**

**WALL MOUNT
ARM**



Hoods not included.
See sheet WSC-27C
for selection.

WALL BRACKET



Model #	A	B	C	Max. Radius
MNX-1000-50-W	16"	12"	2"	40"
MNX-1300-50-W	22"	18"	2"	51"
MNX-1500-50-W	30"	18"	2"	60"
MNX-1000-75-W	16"	12"	3"	40"
MNX-1300-75-W	22"	18"	3"	51"
MNX-1500-75-W	30"	18"	3"	60"
MNX-2000-75-W	40"	26"	3"	80"
MNX-1150-100-W	18"	14"	4"	46"
MNX-1350-100-W	22"	18"	4"	54"
MNX-1650-100-W	30"	22"	4"	66"
MNX-1900-100-W	40"	22"	4"	76"
MNX-2100-100-W	40"	30"	4"	84"
MNX-2650-100-W	52"	40"	4"	106"

* Also available as 2-joint arm, consult factory.

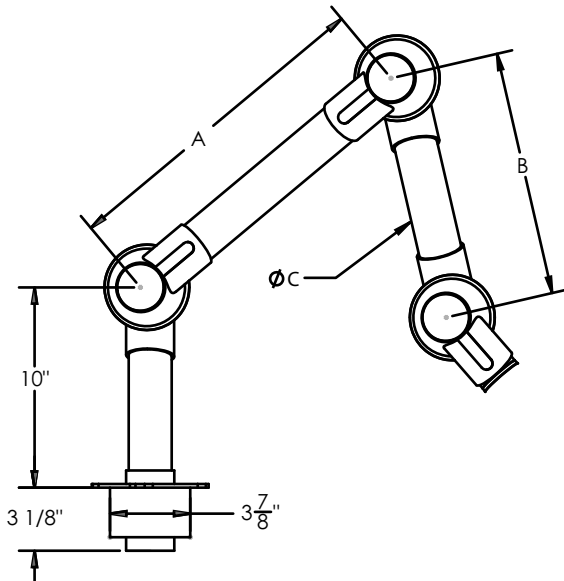
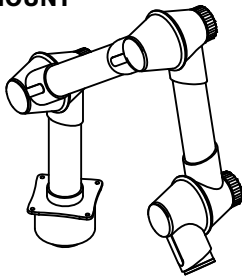
**TECHNICAL
INFORMATION**

In the interest of continuing product improvement,
we reserve the right to change models,
specifications, and/or features without prejudice.

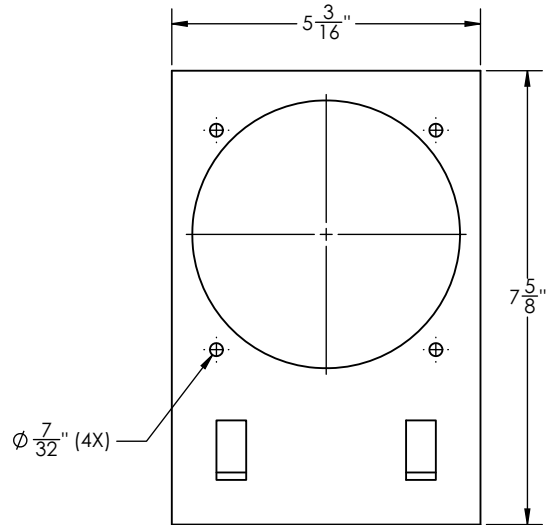
PROJECT: _____
 LOCATION: _____
 ARCHITECT: _____
 ENGINEER: _____
 CONTRACTOR: _____
 DATE: _____ SALES ENGINEER: _____

**MONOXIVENT
MNX Mini/Lab Arm, Table Mounting**

**TABLE MOUNT
ARM**



OPTIONAL TABLE BRACKET



Hoods not included.
See sheet WSC-27C
for selection.

Model #	A	B	C	Max. Radius
MNX-1000-50-T	16"	12"	2"	40"
MNX-1300-50-T	22"	18"	2"	51"
MNX-1500-50-T	30"	18"	2"	60"
MNX-1000-75-T	16"	12"	3"	40"
MNX-1300-75-T	22"	18"	3"	51"
MNX-1500-75-T	30"	18"	3"	60"
MNX-1150-100-T	18"	14"	4"	46"
MNX-1350-100-T	22"	18"	4"	54"
MNX-1650-100-T	30"	22"	4"	66"
MNX-1900-100-T	40"	22"	4"	76"

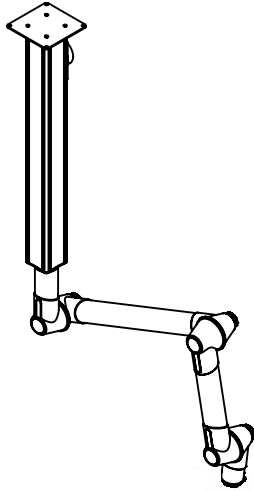
* Also available as 2-joint arm, consult factory.

**TECHNICAL
INFORMATION**

In the interest of continuing product improvement, we reserve the right to change models, specifications, and/or features without prejudice.

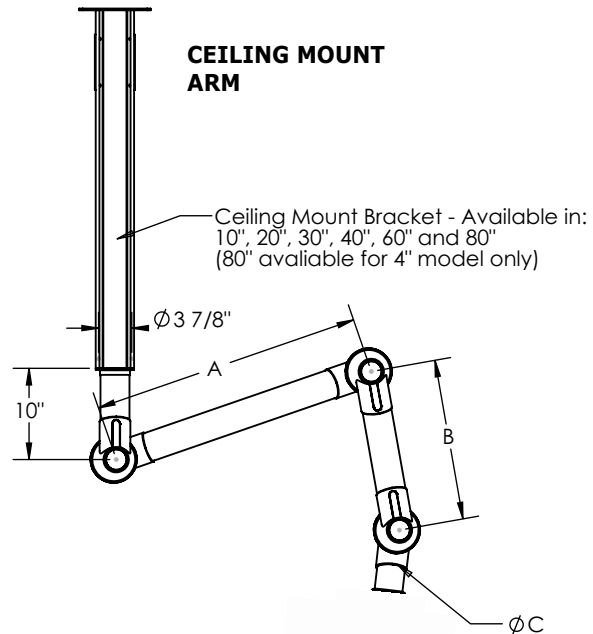
PROJECT: _____
 LOCATION: _____
 ARCHITECT: _____
 ENGINEER: _____
 CONTRACTOR: _____
 DATE: _____ SALES ENGINEER: _____

**MONOXIVENT
MNX Mini/Lab Arm, Ceiling Mounting**



Hoods not included.
See sheet WSC-27C
for selection.

Ceiling Brackets Not
Included. Ceiling Brackets
available, see page WSC-27



Model #	A	B	C	Max. Radius
MNX-1000-50-C	16"	12"	2"	40"
MNX-1300-50-C	22"	18"	2"	51"
MNX-1500-50-C	30"	18"	2"	60"
MNX-1000-75-C	16"	12"	3"	40"
MNX-1300-75-C	22"	18"	3"	51"
MNX-1500-75-C	30"	18"	3"	60"
MNX-2000-75-C	40"	26"	3"	80"
MNX-1150-100-C	18"	14"	4"	46"
MNX-1350-100-C	22"	18"	4"	54"
MNX-1650-100-C	30"	22"	4"	66"
MNX-1900-100-C	40"	22"	4"	76"
MNX-2100-100-C	40"	30"	4"	84"
MNX-2650-100-C	52"	40"	4"	106"

* Also available as 2-joint arm, consult factory.

**TECHNICAL
INFORMATION**

In the interest of continuing product improvement,
we reserve the right to change models,
specifications, and/or features without prejudice.

PROJECT: _____
 LOCATION: _____
 ARCHITECT: _____
 ENGINEER: _____
 CONTRACTOR: _____
 DATE: _____ SALES ENGINEER: _____



Ceiling Bracket MNX-CMB

Description: Anodized Aluminum Ceiling Bracket for Mini Arm

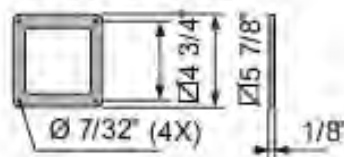
2" & 3" Mounting Brackets

Model	Length Inches	Weight lbs.
MNX-250-CMB	10"	6.9
MNX-500-CMB	20"	8.4
MNX-750-CMB	30"	9.9
MNX-1000-CMB	40"	11.4
MNX-1500-CMB	60"	12.9

4" Mounting Brackets

Model	Length Inches	Weight lbs.
MNX-500-125-CMB	20"	10.8
MNX-750-125-CMB	30"	12.8
MNX-1000-125-CMB	40"	14.8
MNX-1250-125-CMB	50"	16.8
MNX-1500-125-CMB	60"	18.8
MNX-1750-125-CMB	70"	20.8
MNX-2000-125-CMB	80"	22.8

MNX-EP-CMB



Escutcheon plate MNX-EP-CMB

Designation for 2 and 3 inch model	Weight oz
MNX-EP-CMB	1.75
Designation for 4 inch model	Weight oz
MNX-EP-CMB-4	4.4

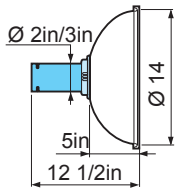
Escutcheon plate, used together with ceiling mount MTI
for stabilizing and to cover holes in the finished ceiling.
Made completely from Polypropylene

**TECHNICAL
INFORMATION**

In the interest of continuing product improvement, we reserve the right to change models, specifications, and/or features without prejudice.

PROJECT: _____
 LOCATION: _____
 ARCHITECT: _____
 ENGINEER: _____
 CONTRACTOR: _____
 DATE: _____ SALES ENGINEER: _____

Hoods to 2 & 3 Inch Mini Arms



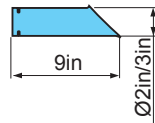
DOME HOOD Dome hoods are used to effectively cover the source of contamination without detracting from visibility.

Standard	PP	ESD	ATEX	weight oz
MNX-CDH-50		ES		14.4
MNX-CDH-75	PP	ES	EX	15.9

Material

- Standard.. PETG
- PP Polypropylene, frosted
- ES PEEL black
- EX PEEL black

Temp. range
-5°F to +176°F



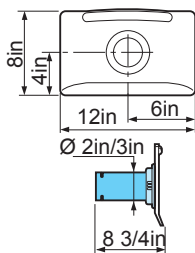
SUCTION NOZZLES Suction nozzles are used for tough environments and to get close to the source of the contamination without disturbing the work.

Standard	PP	ESD	ATEX	weight oz
MNX-SCN-50		ES		4.0
MNX-SCN-75	PP	ES		5.6

Material

- Standard/ES ... Aluminum
- PP Polypropylene

Temp. range
-5°F to +176°F



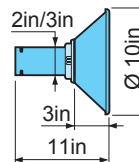
FLAT SCREEN HOOD Flat screen hoods are designed to maximize the working area without obstructing the object from the user. Flat screen hoods give the best suction on tables and workbenches.

Standard	PP	ESD	ATEX	weight oz
MNX-FFH-50		ES		11.6
MNX-FFH-75	PP	ES	EX	12.9

Material

- Standard.. PETG
- PP Polypropylene, frosted
- ES PEEL black
- EX PEEL black

Temp. range
-5°F to +176°F



METAL HOODS Metal hoods are used for work in tough environments. Capture of hot gases, dust spray, etc. Metal hoods can be equipped with work light.

Standard	PP	ESD	ATEX	weight oz
MNX-MH-50		ES		10.6
MNX-MH-75		ES	EX	11.8

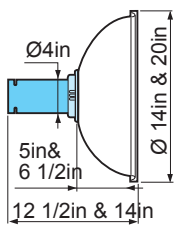
Material

- Standard/PP... Powdercoated aluminum
- ES Aluminum
- EX Aluminum

Temp. range
-5°F to +176°F

Accessory: Light rated at 50 W 120/12 VAC

Hoods to 4 Inch Mini Arms



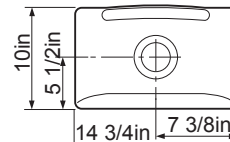
DOME HOOD Dome hoods are used to effectively cover the source of contamination without detracting from visibility.

Standard	PP	ESD	ATEX	weight oz
MNX-CDH-100	PP		EX	21.5

Material

- Standard.. PETG
- PP Polypropylene, frosted
- ES PEEL black
- EX PEEL black

Temp. range
-5°F to +176°F



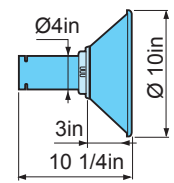
FLAT SCREEN HOOD Flat screen hoods are designed to maximize the working area without obstructing the object from the user. Flat screen hoods give the best suction on tables and workbenches.

Standard	PP	ESD	ATEX	weight oz
MNX-FFH-100		ES	EX	22.0

Standard.. PETG

- PP Polypropylene, frosted
- ES PEEL black
- EX PEEL black

Temp. range
-5°F to +176°F



METAL HOODS Metal hoods are used for work in tough environments. Capture of hot gases, dust spray, etc. Metal hoods can be equipped with work lighting.

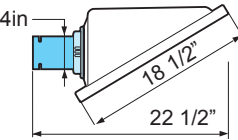
Standard	PP	ESD	ATEX	weight oz
MNX-MH-100		ES	EX	18.0

Material

- Standard ... Powdercoated aluminum
- ES Aluminum
- EX Aluminum

Temp. range
-5°F to +176°F

Accessory: Light rated at 50 W 120/12 VAC



SQUARE HOOD Square hoods are used to capture gases from above or from the sides close to the workplace. By using a well dimensioned size, it effectively captures volatile gases without hindering work under the hood.

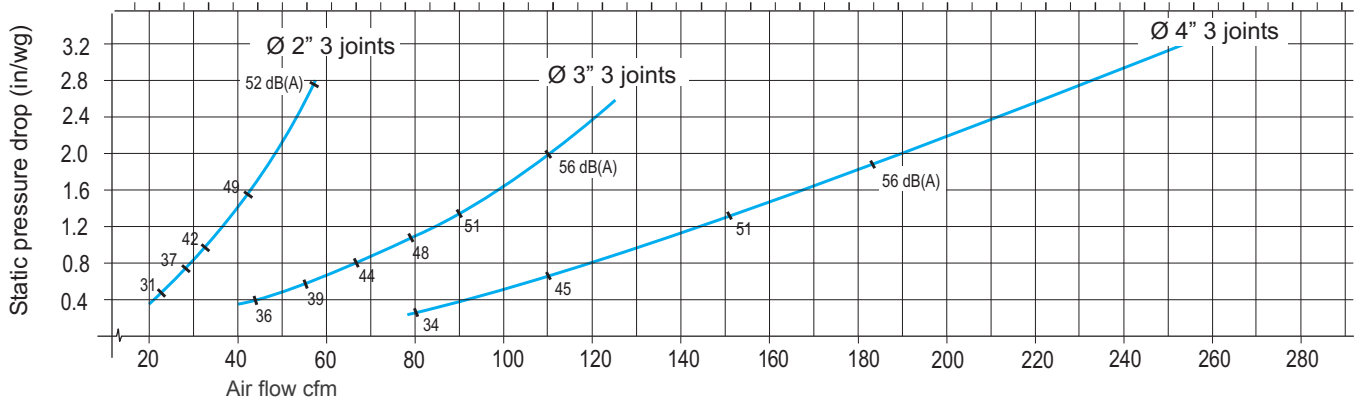
Standard	PP	ESD	ATEX	weight oz
MNX-MSH-100				40.0

Material

- Standard.. PETG

Temp. range
-5°F to +176°F

Pressure drop diagram models 2, 3 and 4 inch



The static pressure drop is measured in accordance with ISO-standard 5167-1. The noise level is measured in accordance with ISO-standard 3741.

Range at recommended mounting height, MNX 2 - 3 inch

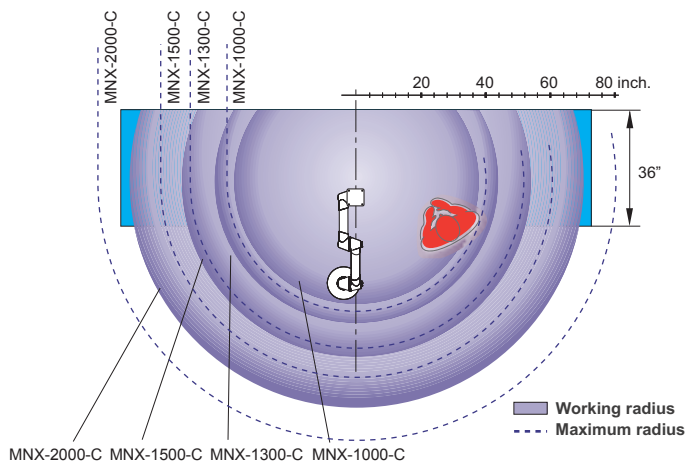
The following mounting heights and side displacements are recommended for optimization of evacuation.

Recommended mounting height

Designation	H inches
MNX-1000-C	64-76
MNX-1300-C	72-84
MNX-1500-C	76-88
MNX-2000-C	84-96

Recommended side displacement in relation to workplace

Designation	S inches
MNX-1000-C	12-24
MNX-1300-C	16-28
MNX-1500-C	20-32
MNX-2000-C	28-40



Range at recommended mounting height, MNX 4 inch

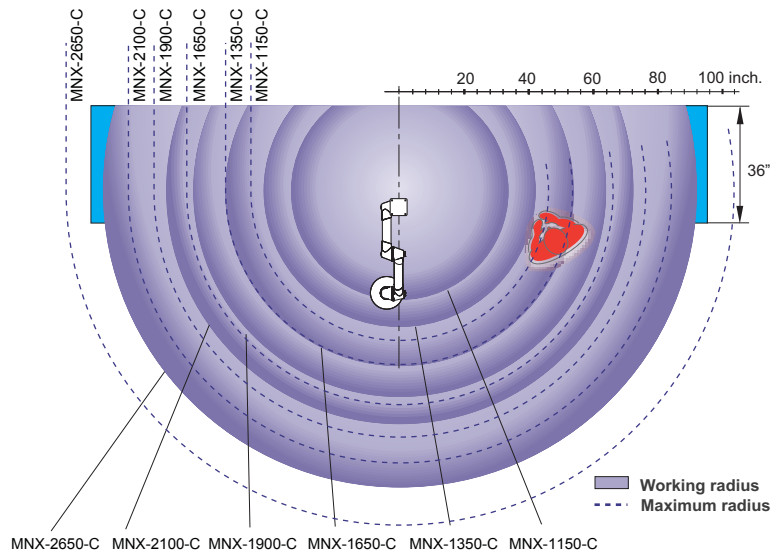
The following mounting heights and side displacements are recommended for optimization of evacuation.

Recommended mounting height

Designation	H inches
MNX-1150-C	68-76
MNX-1350-C	76-84
MNX-1650-C	80-88
MNX-1900-C	88-96
MNX-2100-C	92-100
MNX-2650-C	92-100

Recommended side displacement in relation to workplace

Designation	S inches
MNX-1150-C	12-24
MNX-1350-C	16-28
MNX-1650-C	20-32
MNX-1900-C	28-32
MNX-2100-C	28-36
MNX-2650-C	52-36



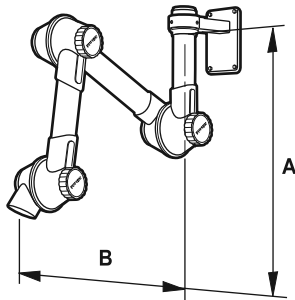
TECHNICAL INFORMATION

In the interest of continuing product improvement, we reserve the right to change models, specifications, and/or features without prejudice.

PROJECT: _____
 LOCATION: _____
 ARCHITECT: _____
 ENGINEER: _____
 CONTRACTOR: _____
 DATE: _____ SALES ENGINEER: _____

Recommended mounting height and side displacement for mounting of wall and ceiling model.		
Length	Height from bench A mm	Side displacement from workplace centre B mm
40"	28" - 40"	12" - 24"
51"	38" - 48"	16" - 28"
60"	44" - 52"	20" - 32"
80"	48" - 68"	28" - 40"

Recommended placement for wall and ceiling mounting



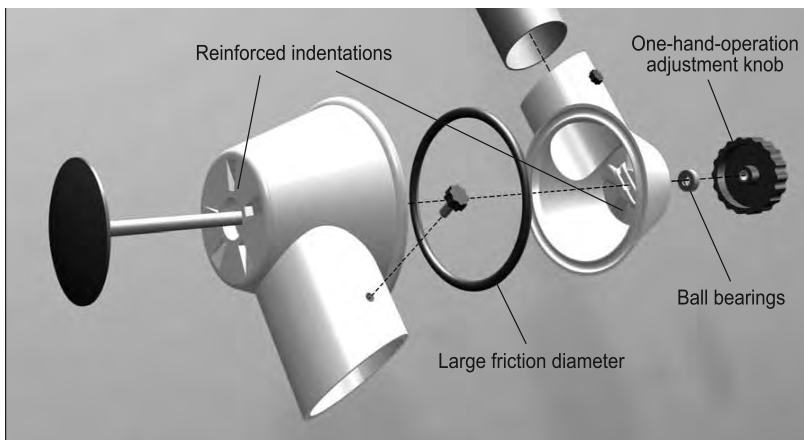
Typical values for Terfu 2 & 3 inch

Size	Function	Air flow	
2 inch	Soldering	20 l/s	42 cfm
	Hair dresser	17 l/s	37 cfm
3 inch	Laboratory	40 l/s	85 cfm
	Schools	40 l/s	85 cfm

Typical values for Terfu 4 inch

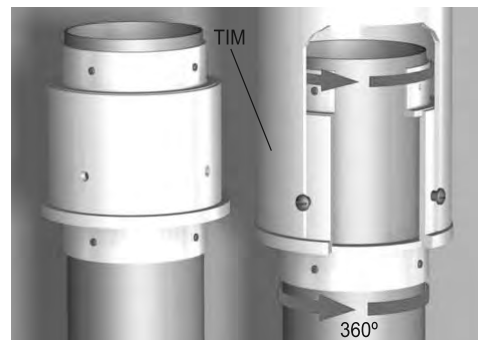
Size	Function	Air flow	
4 inch	Laboratory	40-80 l/s	85-170 cfm
	Light industry:		
	-Gluing	80 l/s	170 cfm
	-Solvents	80 l/s	170 cfm
	-Brazing	100-125 l/s	210-265 cfm
-Light welding/TIG	110-125 l/s	235-265 cfm	

Technology Design Function



MNX Joint. The large frictional diameter together with the single grip adjusting knob provide a rigid, stable joint with a smooth easily adjustable function without requiring the application of excessive force or tools. The joint has reinforced side pieces that prevent distortion which could cause the O-ring to slide out of place or the joint to crack. Ball bearings that isolate the adjusted friction level allow the arm to move up and down without locking the joint or losing stability and function.

The MNX extraction arm is always mounted with a complete swivel that may be rotated at 360°. In addition, the mounting swivel is adapted to connection with a standard Spiral duct Ø4". This applies to arms with Ø2" and Ø3". Fit the wall or ceiling bracket with short screws supplied with the arm. When connecting to other dimensions, use standard reducers down to 3 1/8", 3" and 2".





Standard Slotted Fume Hoods
Series - SFH

TECHNICAL INFORMATION

In the interest of continuing product improvement, we reserve the right to change models, specifications, and/or features without prejudice.

PROJECT: _____
 LOCATION: _____
 ARCHITECT: _____
 ENGINEER: _____
 CONTRACTOR: _____
 DATE: _____ SALES ENGINEER: _____

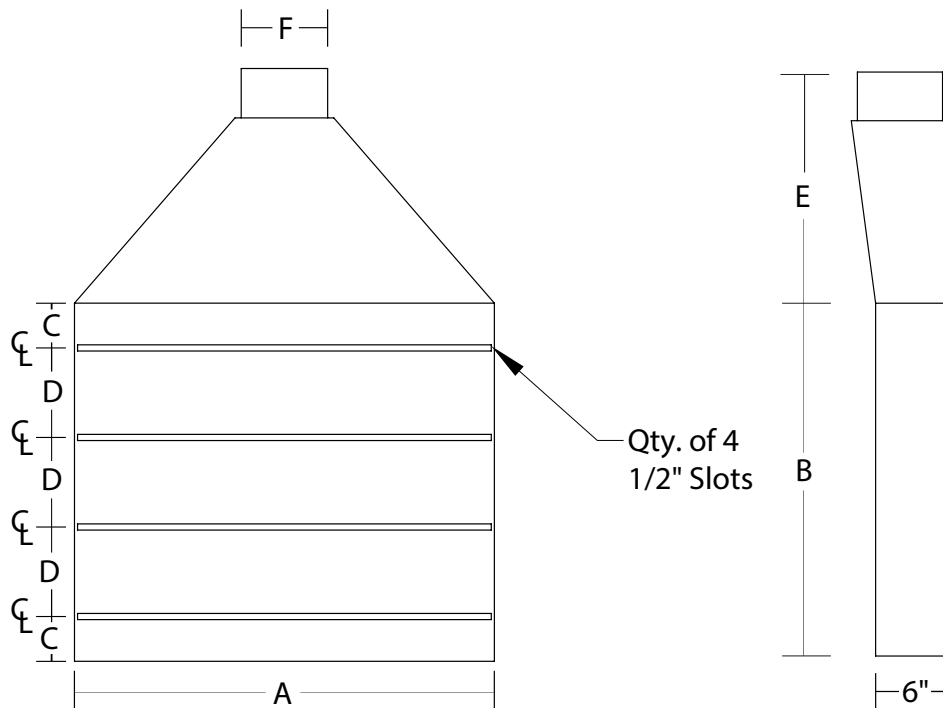
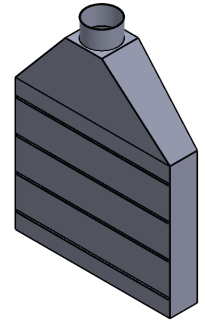
www.monoxivent.com

info@monoxivent.com

309-794-1000

Page: WSC-28

Standard Slotted Fume Hoods Series -SFH



Model	A	B	C	D	E	F	CFM Guidelines	P.D.	Weight
SFH-34	34"	29"	3 5/8"	7 1/2"	15"	7"	1050	.67"	114 lbs.
SFH-46	46"	35"	4 3/8"	9 3/4"	21"	8"	1400	.70"	142 lbs.
SFH-58	58"	38"	4 3/4"	9 1/2"	27"	8"	1750	.82"	150 lbs.

Notes:

Slotted Hood Depth - 6" for all models - Construction is 18-gauge Welded Paint Grip Galvanized Steel
 Slotted Hood Performance is based on Industrial Ventilation Guidelines - 28th Edition
 Pressure drop calculations based on recommended CFM
 Pressure drop will vary if alternate CFM is used

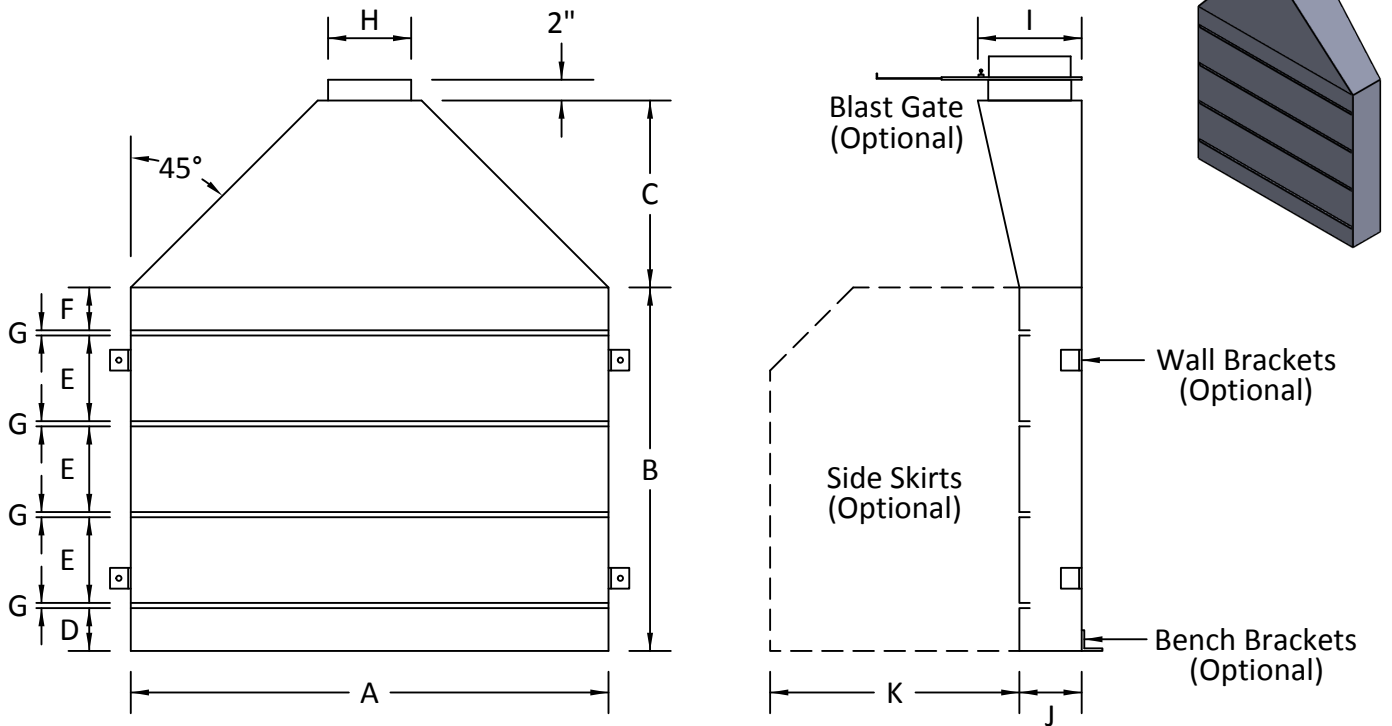
Custom slotted fume hood design form available on page WSC-29.

**TECHNICAL
INFORMATION**

In the interest of continuing product improvement, we reserve the right to change models, specifications, and/or features without prejudice.

PROJECT: _____
 LOCATION: _____
 ARCHITECT: _____
 ENGINEER: _____
 CONTRACTOR: _____
 DATE: _____ SALES ENGINEER: _____

Custom Slotted Fume Hoods



Qty.	Material	Gauge	No. of Slots	No. of Sections	A	B	C	D	E	F

G	H	I	J	K	No. of Side Skirts	Finish	Options	Tag

Finishes:

- Mill Finish
- Painted
- Powder Coated
- Primer Only
- Custom Colors

Standard Construction:

- 18-gauge Welded Galvannealed

Available Materials:

- Steel
- Stainless Steel
- Aluminum
- Galvanized
- Corrosion Resistant FRP
- * Thickness 26 ga. to 10 ga.

Options:

- Side Skirts
- Blast Gate
- Wall Bracket
- Bench Bracket
- Adjustable Slots

Notes:

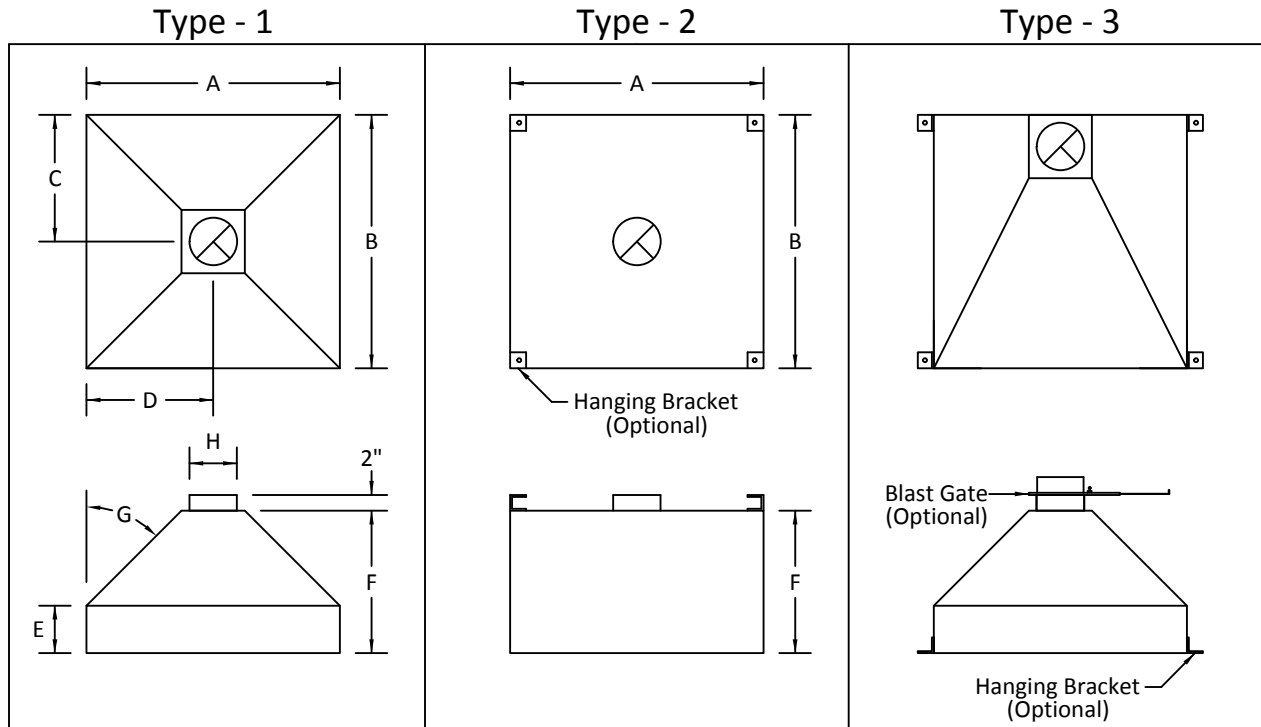
- Standard are four equally spaced 1/2 inch spaces. Alternate slot configurations available
- Reference 28th Edition - Industrial Ventilation Guidelines for design assistance.

**TECHNICAL
INFORMATION**

In the interest of continuing product improvement, we reserve the right to change models, specifications, and/or features without prejudice.

PROJECT: _____
 LOCATION: _____
 ARCHITECT: _____
 ENGINEER: _____
 CONTRACTOR: _____
 DATE: _____ SALES ENGINEER: _____

Overhead Canopy Hood



Qty.	Type	Material	Gauge	A	B	C	D

E	F	G	H	Finish	Optional Bracket Size L x W	Tag

Finishes:

- Mill Finish
- Painted
- Powder Coated
- Primer Only
- Custom Colors

Standard Construction:

- 16-gauge Welded Galvannealed

Available Materials:

- Steel
- Stainless Steel
- Aluminum
- Galvanized
- Corrosion Resistant FRP
- * Thickness 26 ga. to 10 ga.

Options (Check Applicable):

- Hanging Brackets
- Blast Gate
- Curtain Strips
- Internal Baffles

Notes:

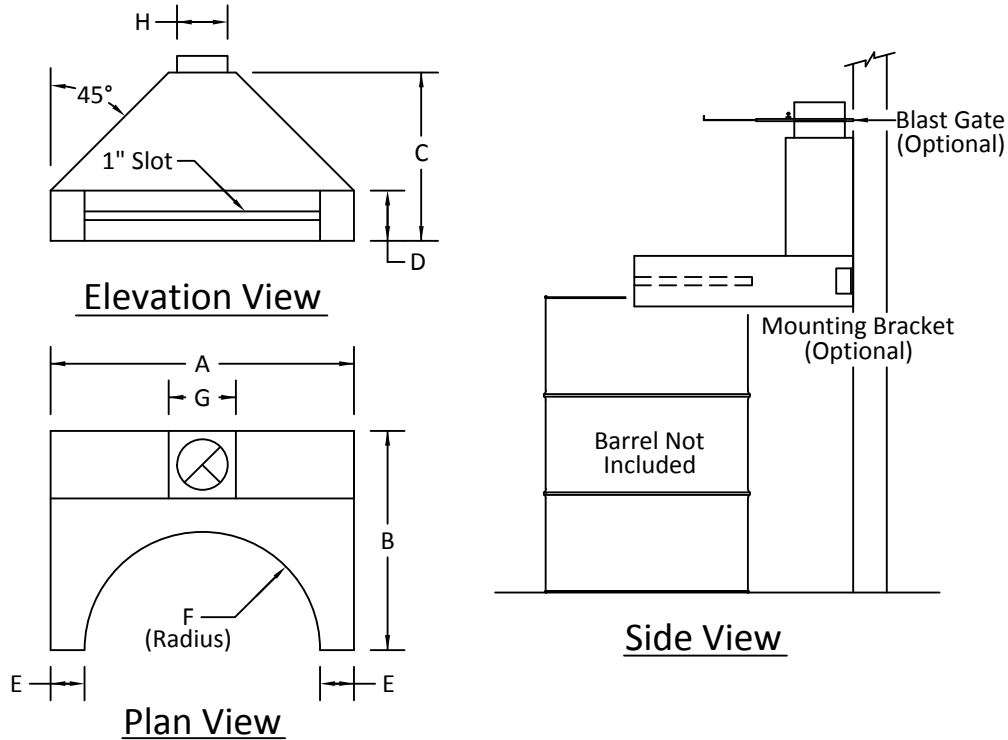
- Reference 28th Edition - Industrial Ventilation Guidelines for design assistance.

**TECHNICAL
INFORMATION**

In the interest of continuing product improvement, we reserve the right to change models, specifications, and/or features without prejudice.

PROJECT: _____
 LOCATION: _____
 ARCHITECT: _____
 ENGINEER: _____
 CONTRACTOR: _____
 DATE: _____ SALES ENGINEER: _____

Slotted Barrel Hood



Qty.	Type	Material	Gauge	A	B	C	D

E	F (Radius)	G	H	Finish	Optional Bracket Size L x W	Tag

Finishes:

- Mill Finish
- Painted
- Powder Coated
- Primer Only
- Custom Colors

Standard Construction:

- 18-gauge Welded Galvannealed

Available Materials:

- Steel
- Stainless Steel
- Aluminum
- Galvanized
- Corrosion Resistant FRP
- * Thickness 26 ga. to 10 ga.

Options (Check Applicable):

- Hanging Brackets
- Blast Gate

Notes:

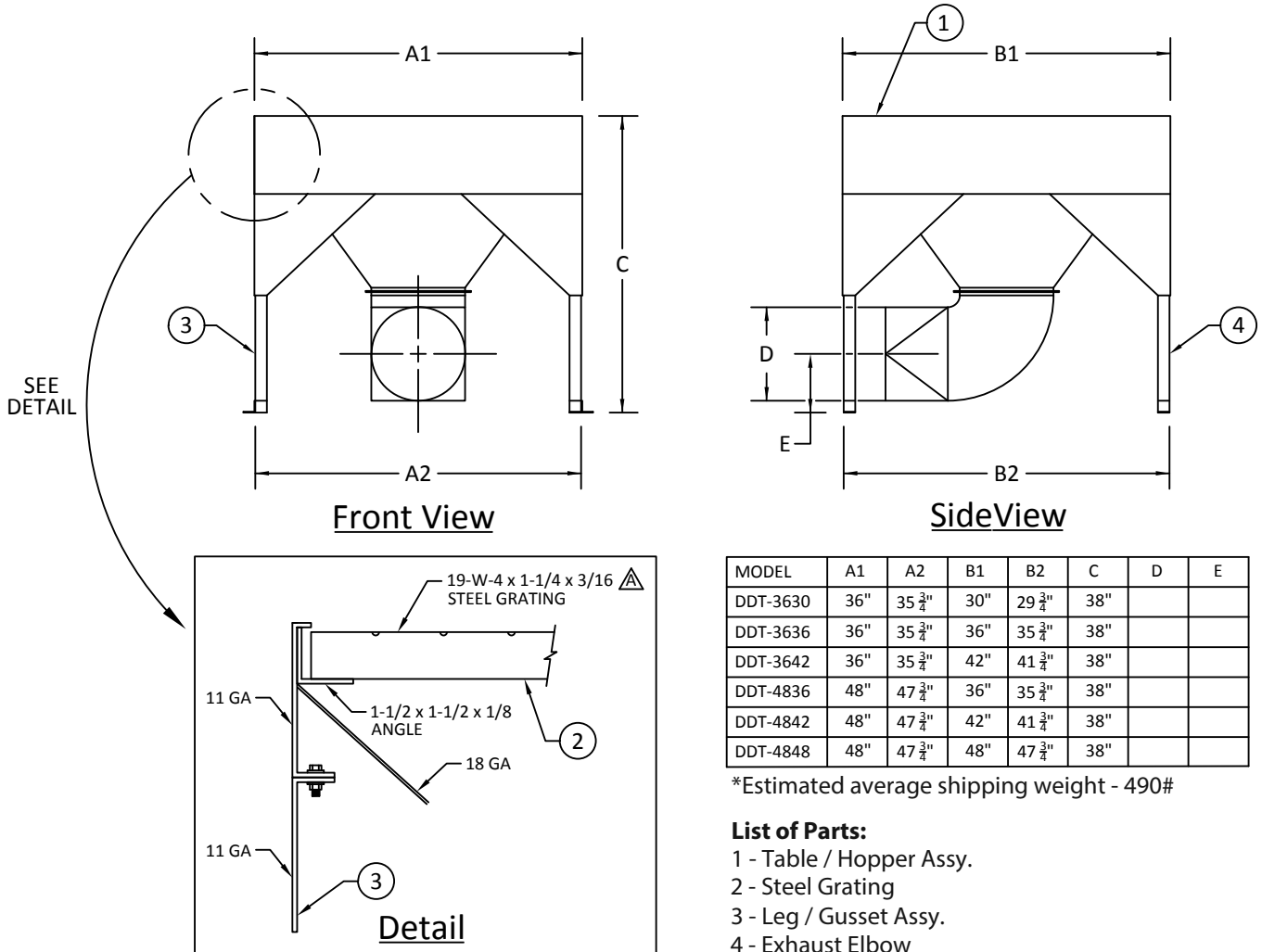
- Reference 28th Edition - Industrial Ventilation Guidelines for design assistance.

**TECHNICAL
INFORMATION**

In the interest of continuing product improvement,
we reserve the right to change models,
specifications, and/or features without prejudice.

PROJECT: _____
 LOCATION: _____
 ARCHITECT: _____
 ENGINEER: _____
 CONTRACTOR: _____
 DATE: _____ SALES ENGINEER: _____

Standard Single Hopper Downdraft Table



MODEL	A1	A2	B1	B2	C	D	E
DDT-3630	36"	35 3/4"	30"	29 3/4"	38"		
DDT-3636	36"	35 3/4"	36"	35 3/4"	38"		
DDT-3642	36"	35 3/4"	42"	41 3/4"	38"		
DDT-4836	48"	47 3/4"	36"	35 3/4"	38"		
DDT-4842	48"	47 3/4"	42"	41 3/4"	38"		
DDT-4848	48"	47 3/4"	48"	47 3/4"	38"		

*Estimated average shipping weight - 490#

List of Parts:

- 1 - Table / Hopper Assy.
- 2 - Steel Grating
- 3 - Leg / Gusset Assy.
- 4 - Exhaust Elbow

Notes:

- "D" Sizing based on exhaust rate
- Exhaust design: 150 - 250 CFM / Sq. Ft. table surface area
- Special side shields available at extra cost
- Special grating materials available at extra cost
- Overall height can be altered to meet job requirements; consult factory; standard height "C" noted
- Reference 28th Edition - Industrial Ventilation Guidelines for design assistance.

**TECHNICAL
INFORMATION**

In the interest of continuing product improvement,
we reserve the right to change models,
specifications, and/or features without prejudice.

PROJECT: _____
LOCATION: _____
ARCHITECT: _____
ENGINEER: _____
CONTRACTOR: _____
DATE: _____ SALES ENGINEER: _____

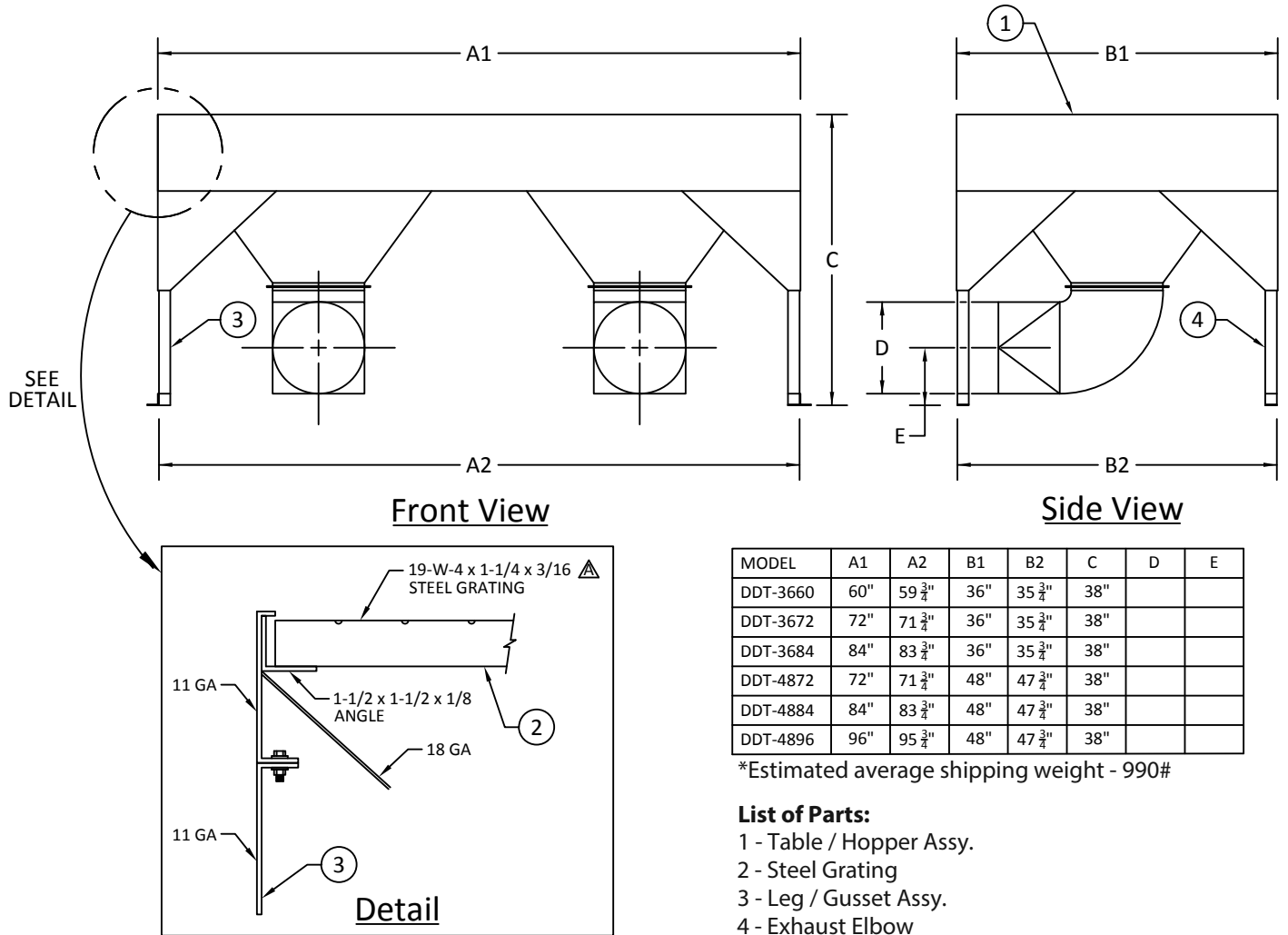
www.monoxivent.com

info@monoxivent.com

309-794-1000

Page: WSC-33

Standard Double Hopper Downdraft Table



MODEL	A1	A2	B1	B2	C	D	E
DDT-3660	60"	59 3/4"	36"	35 3/4"	38"		
DDT-3672	72"	71 3/4"	36"	35 3/4"	38"		
DDT-3684	84"	83 3/4"	36"	35 3/4"	38"		
DDT-4872	72"	71 3/4"	48"	47 3/4"	38"		
DDT-4884	84"	83 3/4"	48"	47 3/4"	38"		
DDT-4896	96"	95 3/4"	48"	47 3/4"	38"		

*Estimated average shipping weight - 990#

List of Parts:

- 1 - Table / Hopper Assy.
- 2 - Steel Grating
- 3 - Leg / Gusset Assy.
- 4 - Exhaust Elbow

Notes:

- "D" Sizing based on exhaust rate
- Exhaust design: 150 - 250 CFM / Sq. Ft. table surface area
- Special side shields available at extra cost
- Special grating materials available at extra cost
- Overall height can be altered to meet job requirements; consult factory; standard height "C" noted
- Reference 28th Edition - Industrial Ventilation Guidelines for design assistance.

**TECHNICAL
INFORMATION**

In the interest of continuing product improvement,
we reserve the right to change models,
specifications, and/or features without prejudice.

PROJECT: _____
 LOCATION: _____
 ARCHITECT: _____
 ENGINEER: _____
 CONTRACTOR: _____
 DATE: _____ SALES ENGINEER: _____

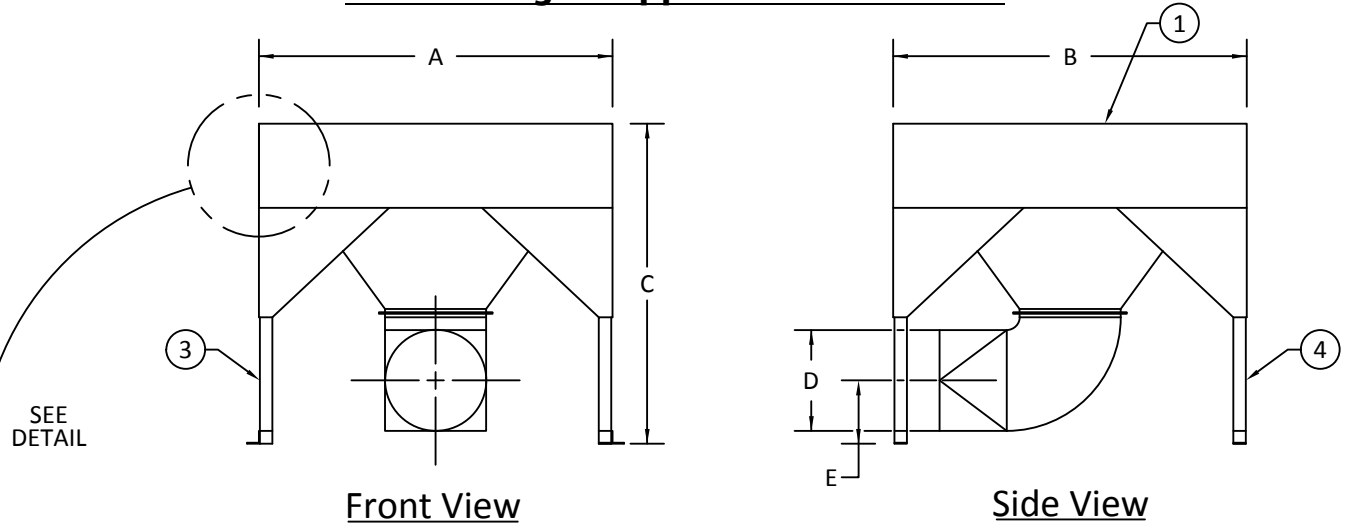
www.monoxivent.com

info@monoxivent.com

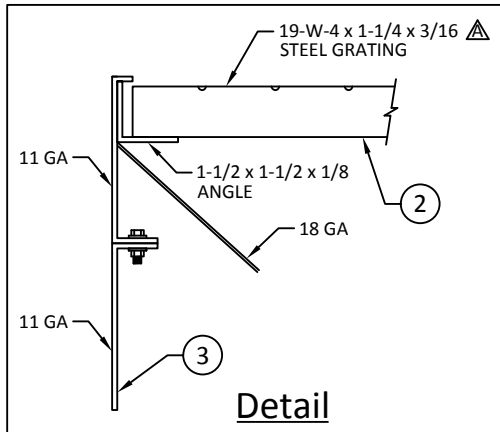
309-794-1000

Page: WSC-34

Custom Single Hopper Downdraft Table



SEE
DETAIL



Qty.	Material	Gauge	A	B

C	D	E	Finish	Tag

Finishes:

- Mill Finish
- Painted
- Powder Coated
- Primer Only
- Custom Colors

Standard Construction:

- 11-gauge Welded Galvannealed

Available Materials:

- Steel
- Stainless Steel
- Aluminum
- Galvanized
- Corrosion Resistant FRP

Options (Check Applicable):

- 4" Side Skirts
- 6" Side Skirts
- 8" Side Skirts
- Adjustable Legs

Notes:

- Reference 28th Edition - Industrial Ventilation Guidelines for design assistance.
- Exhaust design: 150 - 250 CFM / Sq. Ft. table surface area

List of Parts:

- 1 - Table / Hopper Assy.
- 2 - Steel Grating
- 3 - Leg / Gusset Assy.
- 4 - Exhaust Elbow

**TECHNICAL
INFORMATION**

In the interest of continuing product improvement,
we reserve the right to change models,
specifications, and/or features without prejudice.

PROJECT: _____
LOCATION: _____
ARCHITECT: _____
ENGINEER: _____
CONTRACTOR: _____
DATE: _____ SALES ENGINEER: _____

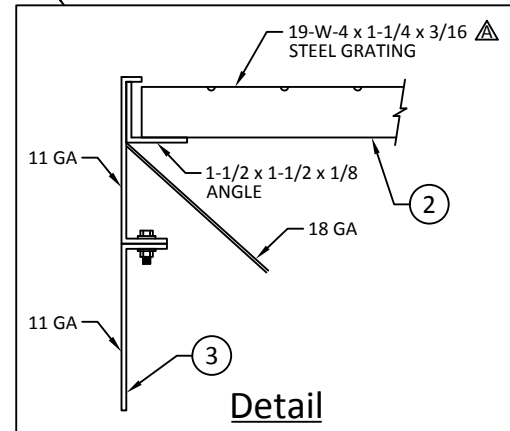
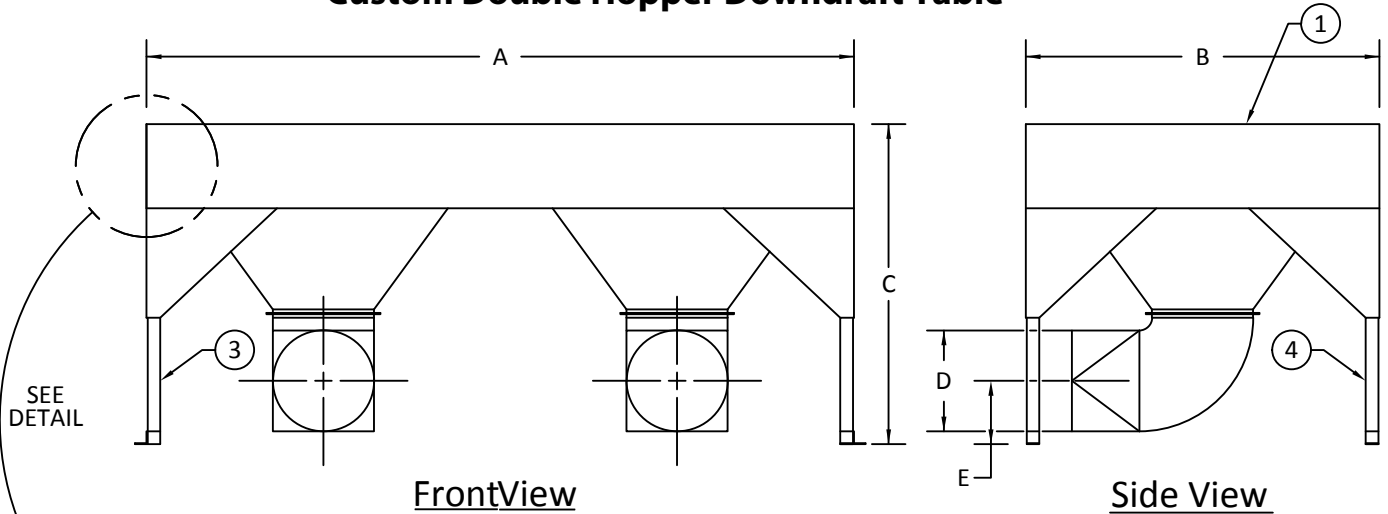
www.monoxivent.com

info@monoxivent.com

309-794-1000

Page: WSC-35

Custom Double Hopper Downdraft Table



Qty.	Material	Gauge	A	B

C	D	E	Finish	Tag

Finishes:

- Mill Finish
- Painted
- Powder Coated
- Primer Only
- Custom Colors

Standard Construction:

- 11-gauge Welded Galvannealed

Available Materials:

- Steel
- Stainless Steel
- Aluminum
- Galvanized
- Corrosion Resistant FRP

Options (Check Applicable):

- 4" Side Skirts
- 6" Side Skirts
- 8" Side Skirts
- Adjustable Legs

Notes:

- Reference 28th Edition - Industrial Ventilation Guidelines for design assistance.
- Exhaust design: 150 - 250 CFM / Sq. Ft. table surface area

List of Parts:

- 1 - Table / Hopper Assy.
- 2 - Steel Grating
- 3 - Leg / Gusset Assy.
- 4 - Exhaust Elbow

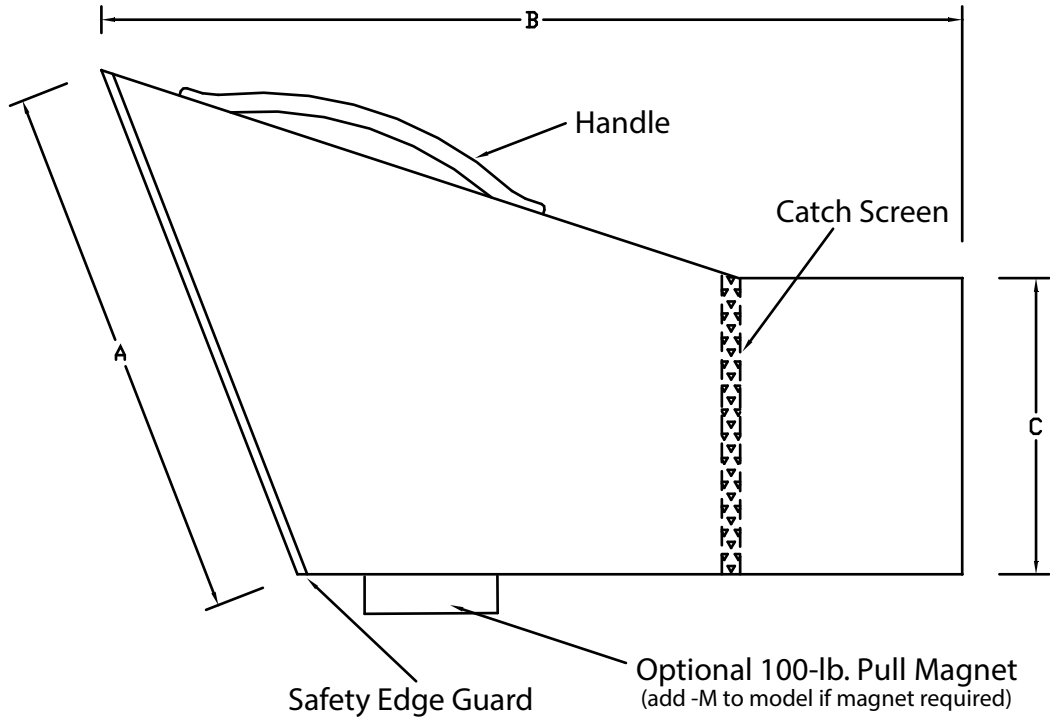
**TECHNICAL
INFORMATION**

In the interest of continuing product improvement,
we reserve the right to change models,
specifications, and/or features without prejudice.

PROJECT: _____
 LOCATION: _____
 ARCHITECT: _____
 ENGINEER: _____
 CONTRACTOR: _____
 DATE: _____ SALES ENGINEER: _____

CONE WELDING NOZZLES

The cone welding nozzle is mainly used for systems where a simple length of hose is connected to a main duct and dropped from over head. The cone nozzle is clamped to the hose and the nozzle is positioned on the work table or a fixture, by means of the optional magnet. Please see the Series 5000 and 6000 Hose, which is commonly used for this type of simple application.



Model	A	B	C
23937	7"	11"	3"
23947	8"	12"	4"
23957	9"	14"	5"
23967	10"	15"	6"
23987	11"	16"	8"

Notes:

Nozzle is constructed of 20 ga. Stainless Steel.

*Optional hood mounted light kit available, consult factory for pricing



Source Capture Hood
Polycarbonate Model
9102001

TECHNICAL INFORMATION

In the interest of continuing product improvement,
we reserve the right to change models,
specifications, and/or features without prejudice.

PROJECT: _____
 LOCATION: _____
 ARCHITECT: _____
 ENGINEER: _____
 CONTRACTOR: _____
 DATE: _____ SALES ENGINEER: _____

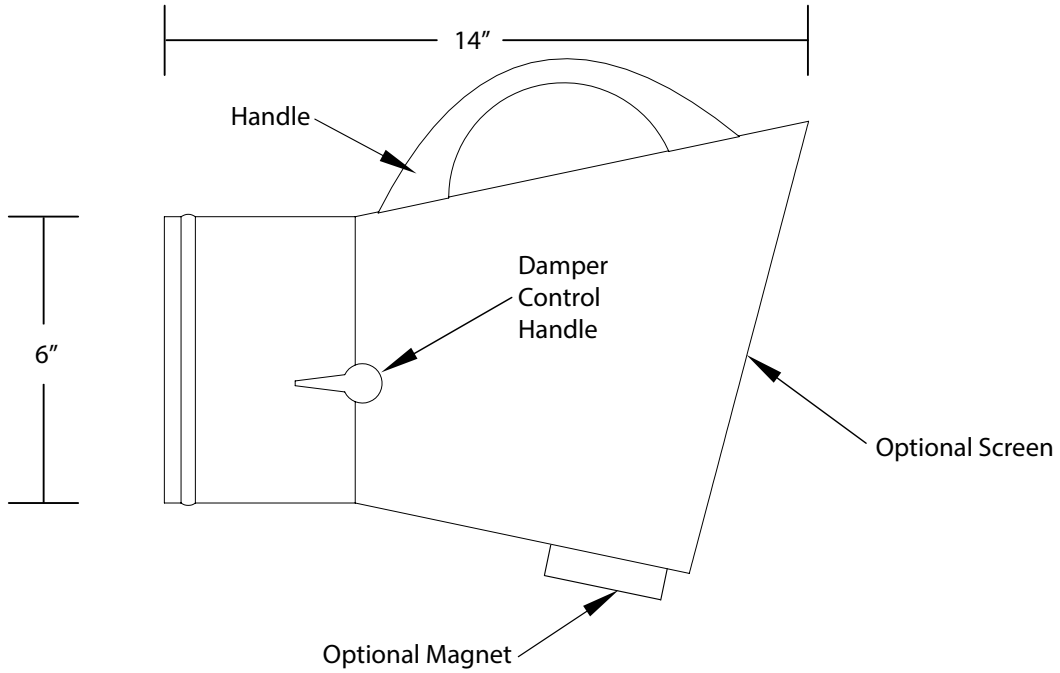
www.monoxivent.com

info@monoxivent.com

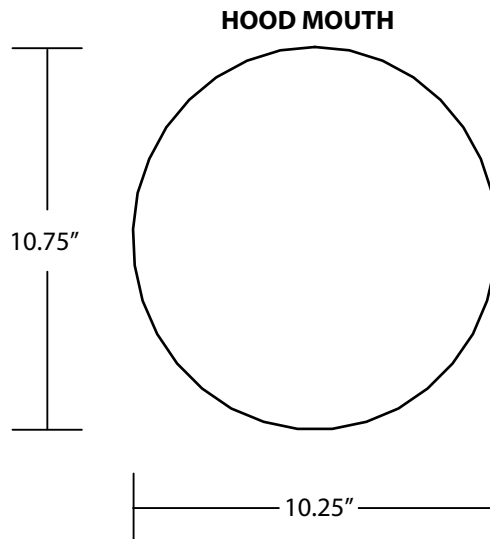
309-794-1000

Page: WSC-37

SOURCE CAPTURE HOOD • POLYCARBONATE MODEL 9102001



Source Capture Hood Used for All
15000 Series Arms, with 6" Dia. Hose



Polycarbonate hood is available only in 6" diameter

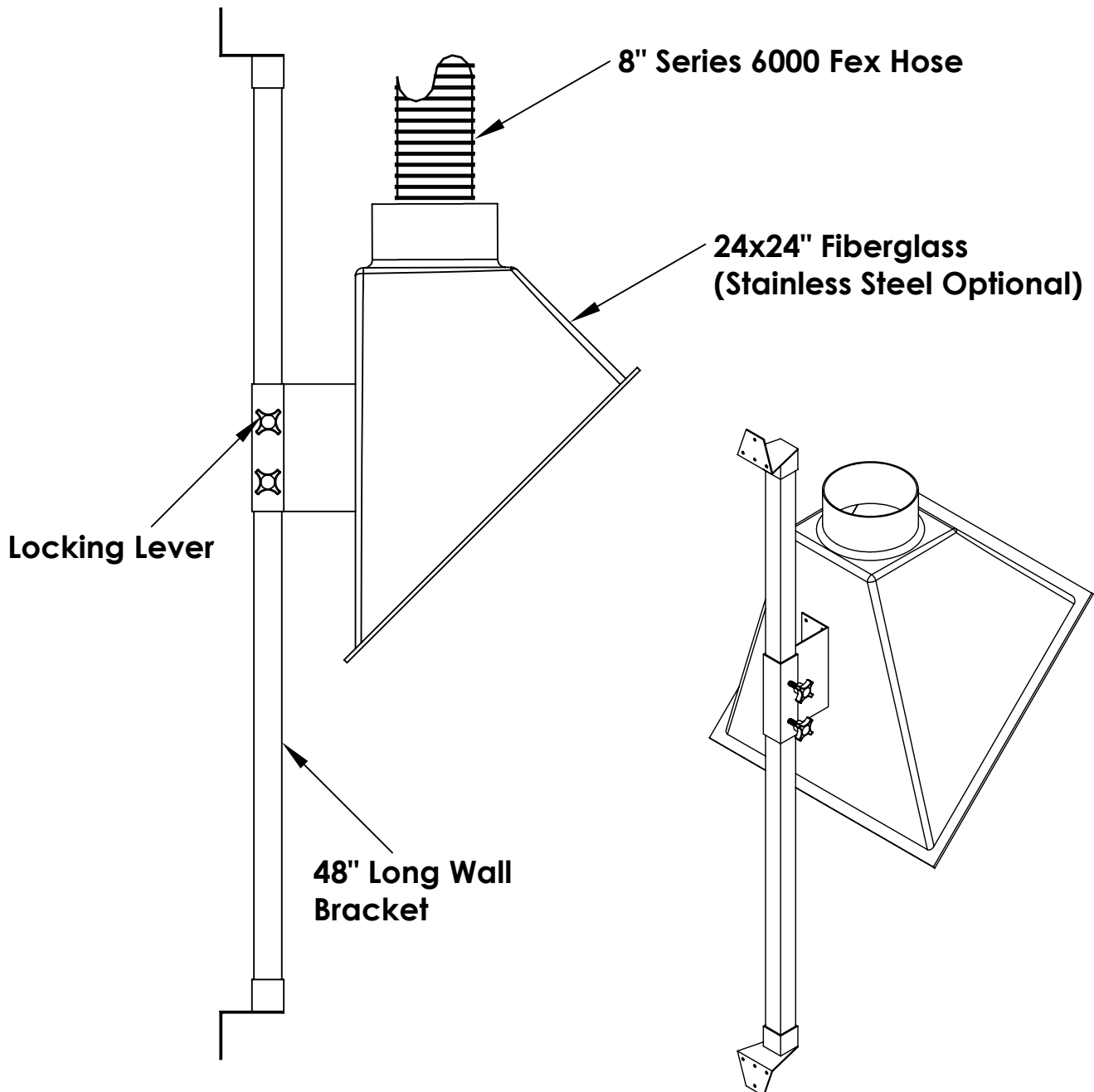
**Optional hood mounted light kit available, consult factory for pricing*

TECHNICAL INFORMATION

In the interest of continuing product improvement,
we reserve the right to change models,
specifications, and/or features without prejudice.

PROJECT: _____
LOCATION: _____
ARCHITECT: _____
ENGINEER: _____
CONTRACTOR: _____
DATE: _____ SALES ENGINEER: _____

RH-2424-WMB Exhaust Hood With Wall Bracket





9

Collectors, Filtration

PORTABLE FUME SYSTEMS (HEPA/CARTRIDGE)

When selecting a Portable Fume System:

- STEP 1 Determine if a PHS (Portable HEPA System) or a Portable Cartridge Filter System (PCFS) is desired, along with arm requirements
- STEP 2 Add Optional Confined Space Kit, if necessary (The Confined Space Kit is used in lieu of a self-supporting arm)
- STEP 3 Select any Portable Fume Filters, if necessary

Tips:

Portable Filtration units are offered in both cartridge and HEPA filter configurations. A variety of media options are available for both. Our fume arms may be added to these units for source capture applications. Typical applications, for these units, are welding/maintenance shops, school shop environments, and other locations where a permanently installed system is not practical.

FREE HANGING FILTER UNITS

When selecting a Free Hanging Filter Unit:

- STEP 1 Determine if primary filter is 65% or 95% efficient
Determine Required CFM
Determine Blower, Motor Sizing
Determine number of Filters
- STEP 2 Determine if Replacement Filters are Necessary

Tips:

Free Hanging Filter Units are typically used where source capture systems are not practical. Monoxivent offers units in CFM's ranging from 200 through 3700. A variety of filters are offered depending on applications. Available accessories include: discharge silencers, hanging eyes, and magnahelic gauges. - PLEASE CONSULT FACTORY FOR DESIGN AND LAYOUT ASSISTANCE.

CARTRIDGE COLLECTORS

When selecting a Cartridge Collector:

- STEP 1 Determine type of Particulate
Determine Required CFM
Determine Number of Cartridges, Necessary Square Feet
- STEP 2 Select any Replacement/Optional Components

Tips:

Cartridge Type Dust Collectors are available in CFM's up to 19,000. Dust containment options range from pull out dust drawers to 55-gallon drums. A variety of filters are available for Monoxivent's cartridge filter units, these include paper, fire retardant, and hydro oleo phobic. A pneumatic pulse filter cleaning system is utilized to ensure long filter life. - PLEASE CONSULT FACTORY FOR SELECTION AND DESIGN ASSISTANCE.

TECHNICAL INFORMATION

In the interest of continuing product improvement,
we reserve the right to change models,
specifications, and/or features without prejudice.

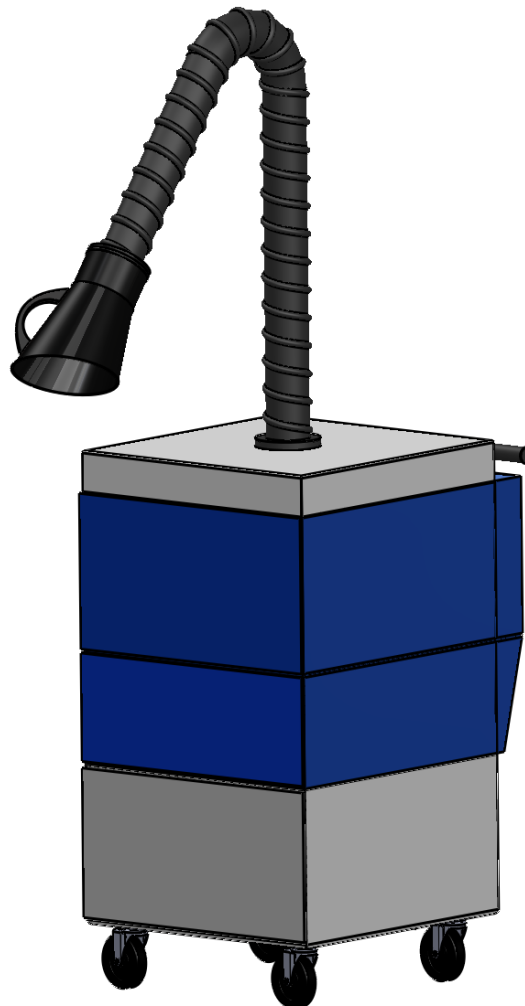
PROJECT: _____
LOCATION: _____
ARCHITECT: _____
ENGINEER: _____
CONTRACTOR: _____
DATE: _____ SALES ENGINEER: _____

PORTABLE CARTRIDGE FILTER

Model and Description

PCFS - 7	Portable Unit with 7' Arm
PCFS - 10	Portable Unit with 10' Arm
PCFS	Portable Unit - Less Arm

(See Enclosed Technical Data)





Portable Cartridge Filter
Series - PCFS

TECHNICAL INFORMATION

In the interest of continuing product improvement, we reserve the right to change models, specifications, and/or features without prejudice.

PROJECT:	_____
LOCATION:	_____
ARCHITECT:	_____
ENGINEER:	_____
CONTRACTOR:	_____
DATE:	SALES ENGINEER: _____

www.monoxivent.com

info@monoxivent.com

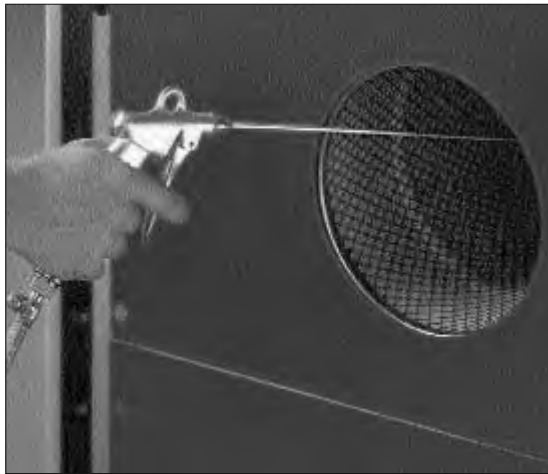
309-794-1000

Page: CF-2

PORTABLE CARTRIDGE FILTER

The PCFS is supplied with an easy access door for the filter and clean out tray. The unit is supplied with a standard 12" x 24" polyester cellulose media. Optional cartridge filters include: 12" x 24" flame retardant media or a 12" x 24" special coated filter for moisture or light oil mist covered particulate.

The PCFS is supplied with a filter monitor light as a standard feature.



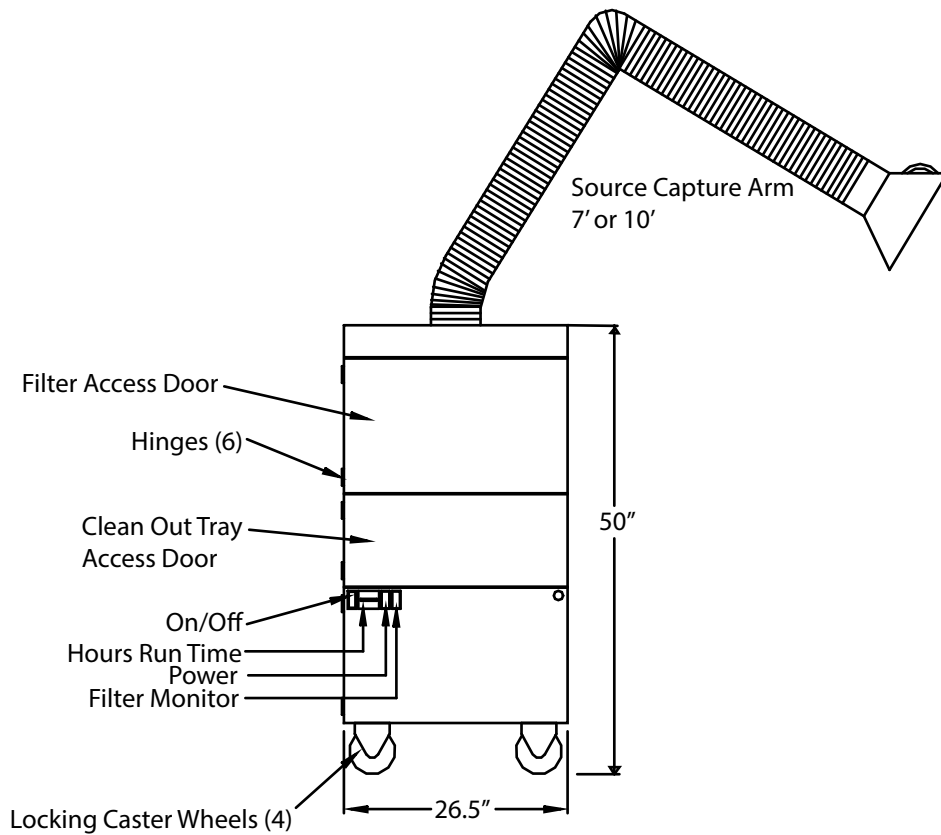
The PCFS is supplied with a unique manual air pulse filter cleaning system. Quick filter access is obtained through the hinged air plenum door, which exposes the inside of the cartridge filter. An air wand is then used and makes cleaning of the cartridge quick and clean. This manual cleaning procedure eliminates electric/pneumatic pulse valves and other components that can fail.

**TECHNICAL
INFORMATION**

In the interest of continuing product improvement,
we reserve the right to change models,
specifications, and/or features without prejudice.

PROJECT: _____
 LOCATION: _____
 ARCHITECT: _____
 ENGINEER: _____
 CONTRACTOR: _____
 DATE: _____ SALES ENGINEER: _____

PORTABLE CARTRIDGE FILTER



Front View of PCFS Portable Cartridge Filter System

- PCFS - 7 Portable Unit with 7' Arm
- PCFS - 10 Portable Unit with 10' Arm

- PCFS Portable Unit - Less Arm
- Blower: 3450 RPM, 1 1/2 HP, 115/120
- CFM: 750 Actual
- Color: Blue and White, Industrial Epoxy
- Filter: 12" x 24" Cartridge
- Cabinet: 18 Gauge Steel
- Weight: Cabinet Less Arm = 360 Pounds

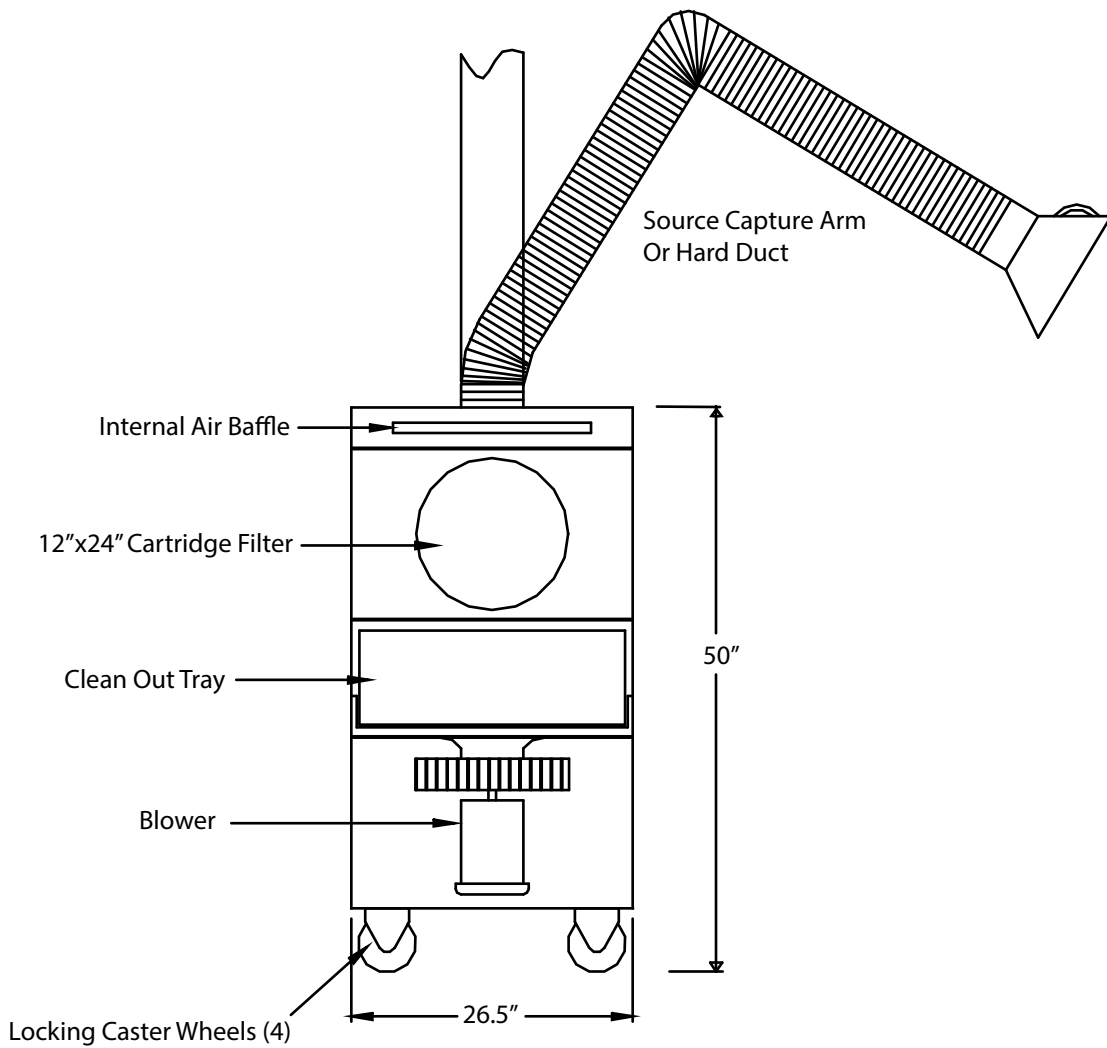
TECHNICAL INFORMATION

In the interest of continuing product improvement,
we reserve the right to change models,
specifications, and/or features without prejudice.

PROJECT: _____
LOCATION: _____
ARCHITECT: _____
ENGINEER: _____
CONTRACTOR: _____
DATE: _____ SALES ENGINEER: _____

PORTABLE CARTRIDGE FILTER

EXPLODED FRONT VIEW



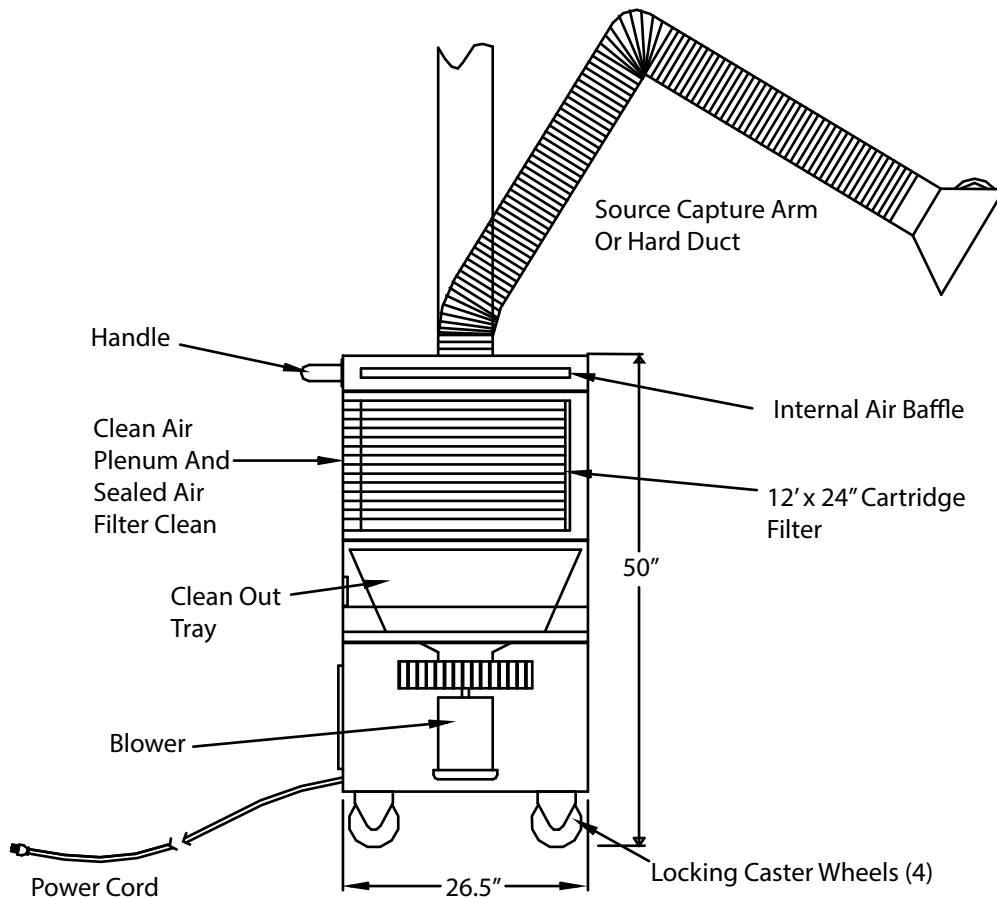
TECHNICAL INFORMATION

In the interest of continuing product improvement,
we reserve the right to change models,
specifications, and/or features without prejudice.

PROJECT: _____
LOCATION: _____
ARCHITECT: _____
ENGINEER: _____
CONTRACTOR: _____
DATE: _____ SALES ENGINEER: _____

PORTABLE CARTRIDGE FILTER

EXPLODED SIDE VIEW





Portable HEPA System
Series - PHS

TECHNICAL INFORMATION

In the interest of continuing product improvement,
we reserve the right to change models,
specifications, and/or features without prejudice.

PROJECT: _____
 LOCATION: _____
 ARCHITECT: _____
 ENGINEER: _____
 CONTRACTOR: _____
 DATE: _____ SALES ENGINEER: _____

www.monoxivent.com

info@monoxivent.com

309-794-1000

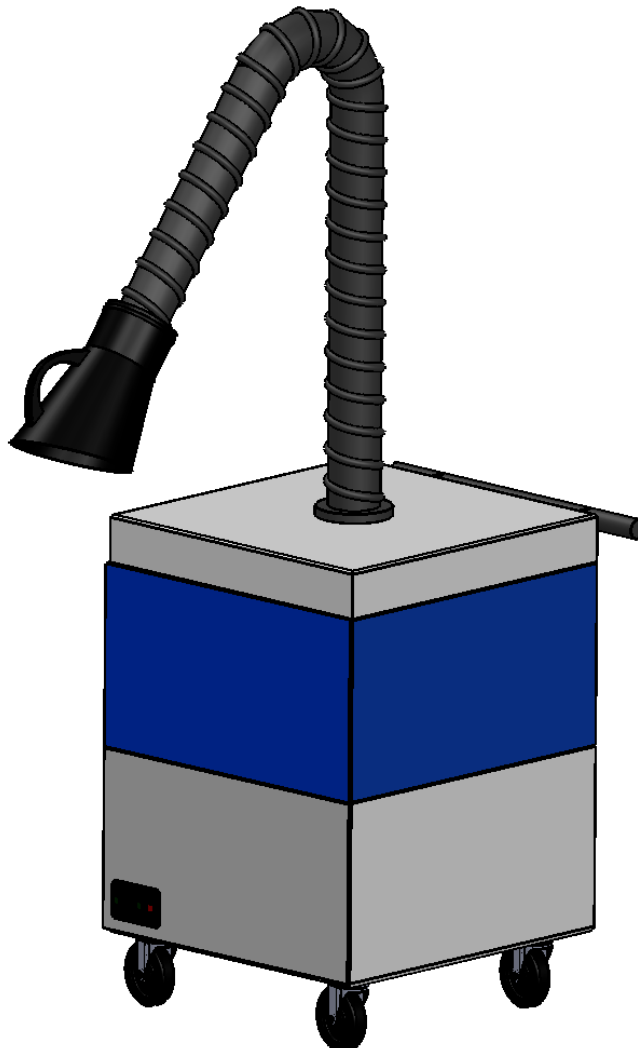
Page: CF-6

PORTABLE HEPA SYSTEM

Model and Description:

PHS - 7	Portable Unit with 7' Arm
PHS - 10	Portable Unit with 10' Arm
PHS	Portable Unit - Less Arm

(See Enclosed Technical Data)



TECHNICAL INFORMATION

In the interest of continuing product improvement,
we reserve the right to change models,
specifications, and/or features without prejudice.

PROJECT: _____
LOCATION: _____
ARCHITECT: _____
ENGINEER: _____
CONTRACTOR: _____
DATE: _____ SALES ENGINEER: _____

SERIES PHS - TECHNICAL DATA

Motor:	1 1/2 HP, 1 Phase Motor - 3450 RPM
Fan:	750 CFM Actual - Wheel and Housing of Aluminum
Weight:	Cabinet Less Arm = 290 Pounds
Cabinet:	18-Gauge Steel with Epoxy Powder Coating
Wheels:	(4) Casters - 5" Diameter with Locking Feat
Voltage:	115/120/1 Pre-Wired Power Cord
AMP Draw:	Start-up Requires 13 AMPS - Minimum 20 AMP Service
Filters:	Standard With: Poly Pre-Filter & 99% HEPA Cell (24x24x12)
Optional Filters:	95% Cell (24x24x12); 99% HEPA (24x24x9) used with Carbon Cell (24x24x2); 65% Cell (24x24x12)
Sound Level, dBA:	72

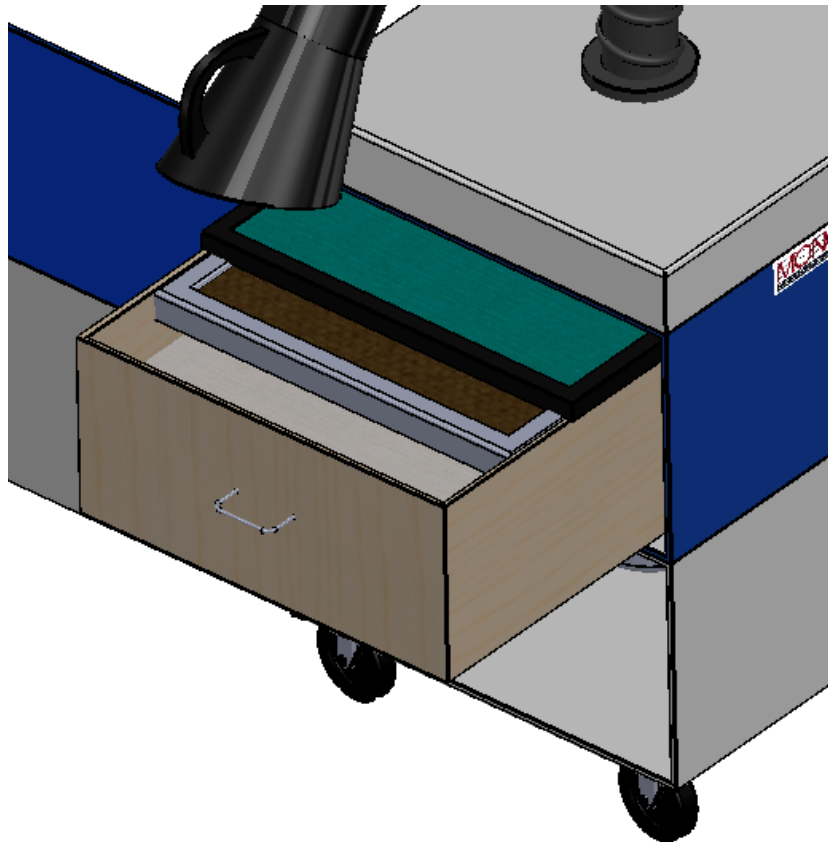
*** Unit Standard with Filter Monitor Light*

*** Note: The particulate passes through a first stage poly pre-filter. Large particles are trapped in the pre-filter. The standard main filter (99% HEPA) then captures and removes the very smallest of smoke particles. If desired, a third stage filter is supplied. The third stage filter is usually a carbon cell, which is used for the removal of odors.*

Poly Pre-Filter

**Carbon Filter
(optional)**

Hepa Filter

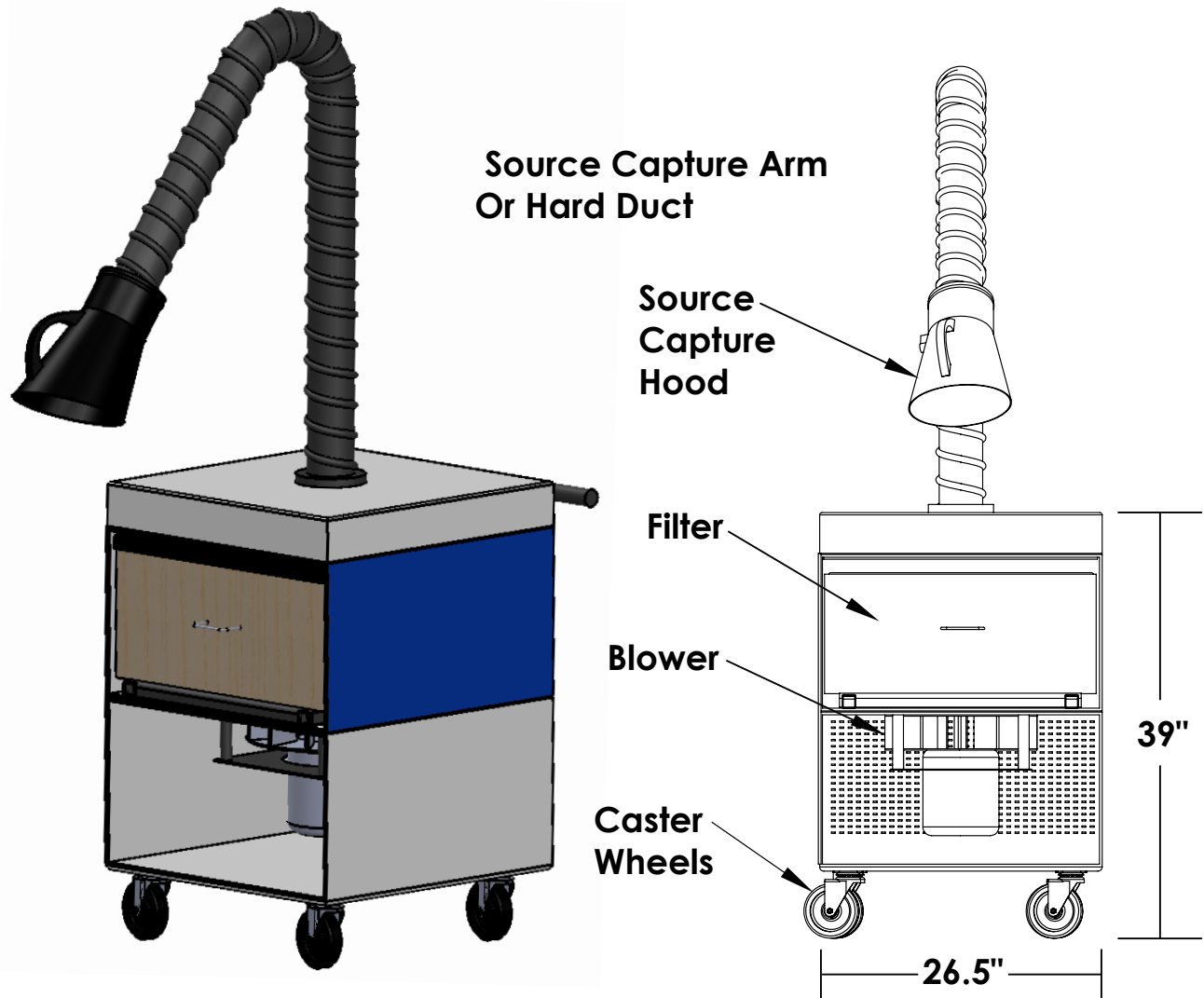


TECHNICAL INFORMATION

In the interest of continuing product improvement,
we reserve the right to change models,
specifications, and/or features without prejudice.

PROJECT: _____
LOCATION: _____
ARCHITECT: _____
ENGINEER: _____
CONTRACTOR: _____
DATE: _____ SALES ENGINEER: _____

FRONT VIEW OF PORTABLE HEPA SYSTEM • WITH ACCESS DOOR OPEN



The PHS is supplied with a poly pre-filter within a reusable frame. The unit is supplied with the standard HEPA main filter. The HEPA is rated 99.97% @ .3 microns. Both the pre-filter and the HEPA main filter are quickly and easily changed by means of the hinged access door. Both filters slide out. The PHS pre-filter and HEPA filter are sealed into the cabinet, making for an air tight air circulation filtration system. The PHS is supplied with a wrench, which raises and lowers the filter track. The wrench is stored inside the filter access door.

* Note: Optional main filter combinations are available.

TECHNICAL INFORMATION

In the interest of continuing product improvement, we reserve the right to change models, specifications, and/or features without prejudice.

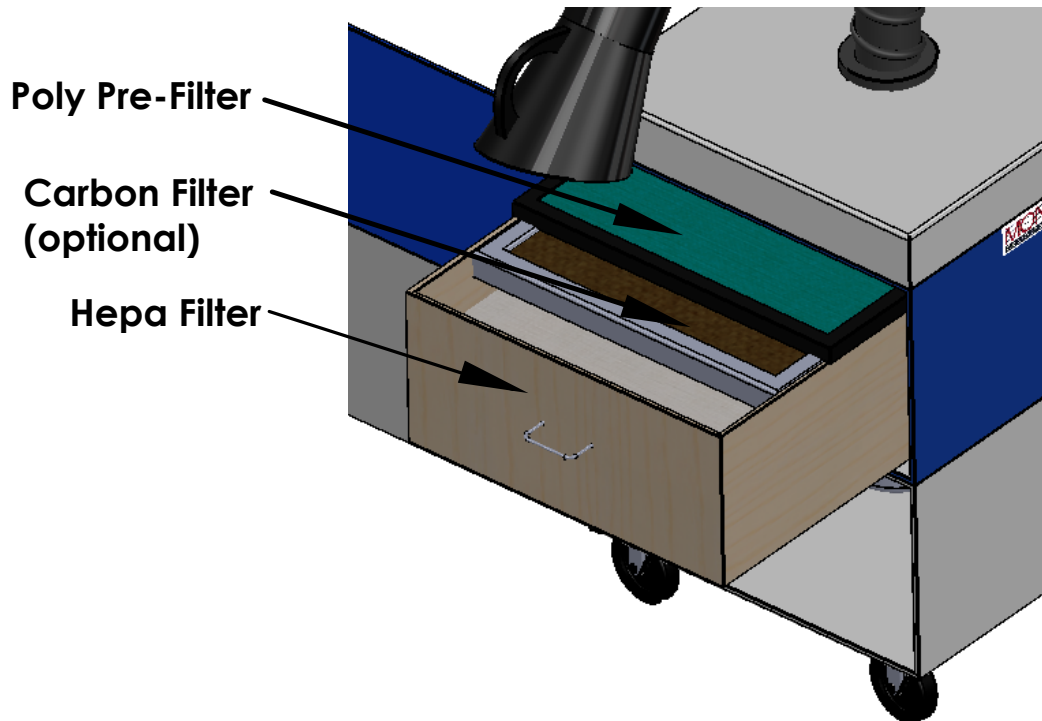
PROJECT: _____
LOCATION: _____
ARCHITECT: _____
ENGINEER: _____
CONTRACTOR: _____
DATE: _____ SALES ENGINEER: _____

PORTABLE HEPA SYSTEM SERIES - PHS

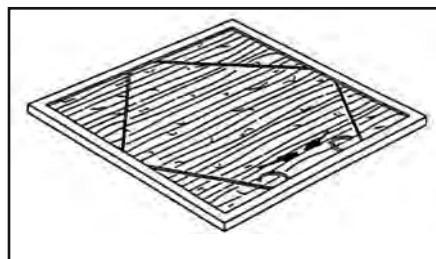
The Monoxivent portable filter unit is used mainly for source capture and extraction of welding smoke. Different filter combinations allow the PHS to evolve into a more versatile unit.

The contaminated air is drawn into the top of the cabinet by an arm or central duct attached to the top.

The particulate passes through a first stage poly pre-filter. Large particles are trapped in the pre-filter. The standard main filter (99% HEPA) then captures and removes the very smallest of smoke particles. If desired, a third stage filter is supplied. The third stage filter is usually a carbon cell, which is used for the removal of odors.



The poly pre-filter is supplied with a reusable frame, in which only the poly material is removed, discarded, and replaced.

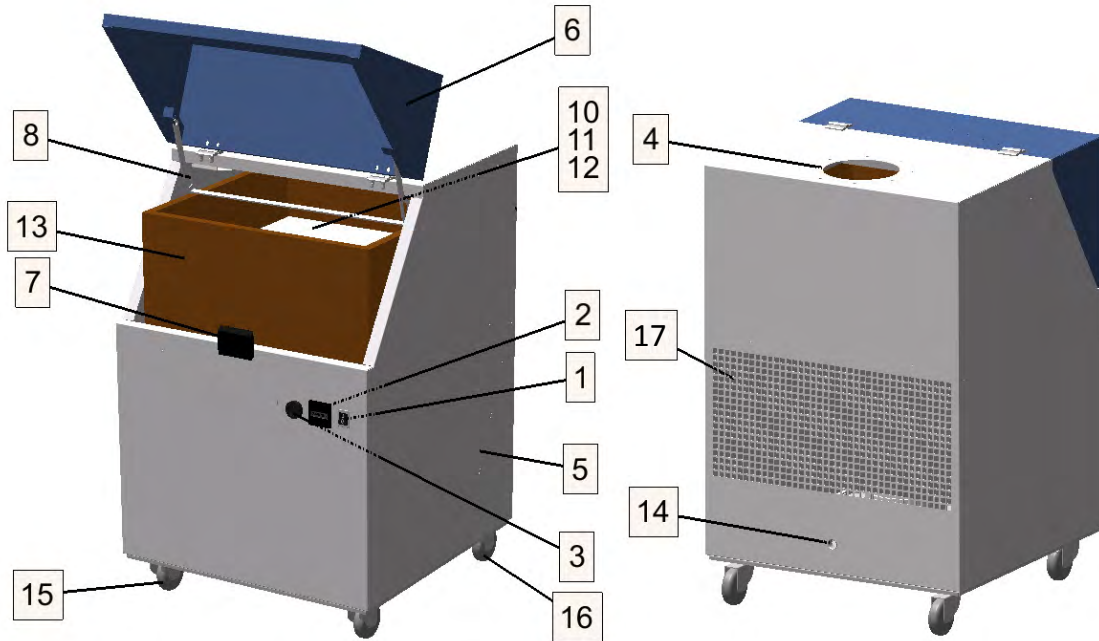


TECHNICAL INFORMATION

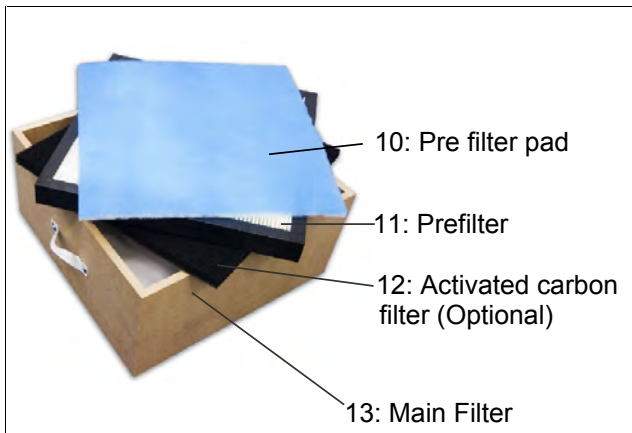
In the interest of continuing product improvement, we reserve the right to change models, specifications, and/or features without prejudice.

PROJECT: _____
 LOCATION: _____
 ARCHITECT: _____
 ENGINEER: _____
 CONTRACTOR: _____
 DATE: _____ SALES ENGINEER: _____

Portable Filter Unit - Filtoo



1	Main switch ON / OFF	10	Pre filter pad (placed onto prefilter)
2	Operating hours meter	11	Prefilter (placed onto activated carbon filter)
3	Alarm horn signalling a necessary filter change	12	Optional activated carbon filter (placed onto the main filter)
4	Connection for suction arm (Arm Optional)	13	Main filter
5	Housing	14	Cable and plug
6	Filter access cover	15	Swivel castor with brake
7	Latch for access cover	16	Swivel castor
8	Access cover support rod	17	Outlet of the cleaned air



FILTOO - TECHNICAL DATA

Motor: 1 1/2 HP, 1 Phase Motor - 3450 RPM
Fan: 750 CFM Actual - Wheel and Housing of Aluminum 265 Pounds
Weight: 18-Gauge Steel with Epoxy Powder Coating
Cabinet: (4) Casters - 3" Diameter with Lock
Wheels: 115 Volt/1 Phase Pre-Wired Power Cord
Voltage: Start-up Requires 13 AMPS - Minimum 20 AMP Service
AMP Draw: 4 - Stage filtration - Dust Pre-Separator Baffle Plate - 1" Pre Filter Pad, 1" Carbon Filter Pad (Optional), 2" Pleated Pre-Filter & 10" Particle Filter.
Filters:
Dimensions: 45"W x 30"D x 53"H
Workspace: 43"W x 27-1/2"D

TECHNICAL INFORMATION

In the interest of continuing product improvement,
we reserve the right to change models,
specifications, and/or features without prejudice.

PROJECT: _____
LOCATION: _____
ARCHITECT: _____
ENGINEER: _____
CONTRACTOR: _____
DATE: _____ SALES ENGINEER: _____

Portable Filter Unit - Filtoo Downdraft Work Station



Function: Dirty air is extracted and directed into the filter unit through the perforated downdraft grate. The particulate and/or fumes are removed from the airstream during a multi stage filtering process and the cleaned air returns to the work space through a discharge grille located at the rear of the unit.

Benefits: You receive a complete "Plug and Play System" that is ready for operation. Designed with perforated plate top downdraft top suitable for industrial work.

Applications:

- for welding shops
- general workshops
- for soldering applications
- school welding booths
- grinding applications

TECHNICAL INFORMATION

In the interest of continuing product improvement,
we reserve the right to change models,
specifications, and/or features without prejudice.

PROJECT: _____
LOCATION: _____
ARCHITECT: _____
ENGINEER: _____
CONTRACTOR: _____
DATE: _____ SALES ENGINEER: _____

Portable Filter Unit - Filtoo w/ 10' 15000 Series Welding Arm



Function: Dirty air is extracted and directed into the filter unit through the fume arm. The particulate and/or fumes are removed from the airstream during a multi stage filtering process and the cleaned air returns to the work space through a discharge grille located at the rear of the unit. Arm features 10' x 6" length, Polycarbonate Hood, Manual Damper, 360 degree swivel.

Benefits: You receive a complete "Plug and Play System" that is ready for operation.

Applications:

- for welding shops
- general workshops
- for soldering applications
- school welding booths
- grinding applications



TECHNICAL INFORMATION

In the interest of continuing product improvement, we reserve the right to change models, specifications, and/or features without prejudice.

PROJECT: _____
LOCATION: _____
ARCHITECT: _____
ENGINEER: _____
CONTRACTOR: _____
DATE: _____ SALES ENGINEER: _____

www.monoxivent.com

info@monoxivent.com

309-794-1000

Page: CF-13

THIS PAGE LEFT INTENTIONALLY BLANK

DISCONTINUED PRODUCT:

Series 800, Cartridge Collector



TECHNICAL INFORMATION

In the interest of continuing product improvement, we reserve the right to change models, specifications, and/or features without prejudice.

PROJECT: _____
LOCATION: _____
ARCHITECT: _____
ENGINEER: _____
CONTRACTOR: _____
DATE: _____ SALES ENGINEER: _____

www.monoxivent.com

info@monoxivent.com

309-794-1000

Page: CF-14

THIS PAGE LEFT INTENTIONALLY BLANK

DISCONTINUED PRODUCT:

Series 800, Cartridge Collector



TECHNICAL INFORMATION

In the interest of continuing product improvement, we reserve the right to change models, specifications, and/or features without prejudice.

PROJECT: _____

LOCATION: _____

ARCHITECT: _____

ENGINEER: _____

CONTRACTOR: _____

DATE: _____ SALES ENGINEER: _____

www.monoxivent.com

info@monoxivent.com

309-794-1000

Page: CF-15

THIS PAGE LEFT INTENTIONALLY BLANK

DISCONTINUED PRODUCT:

Series 800, Cartridge Collector



TECHNICAL INFORMATION

In the interest of continuing product improvement, we reserve the right to change models, specifications, and/or features without prejudice.

PROJECT: _____
LOCATION: _____
ARCHITECT: _____
ENGINEER: _____
CONTRACTOR: _____
DATE: _____ SALES ENGINEER: _____

www.monoxivent.com

info@monoxivent.com

309-794-1000

Page: CF-16

THIS PAGE LEFT INTENTIONALLY BLANK

DISCONTINUED PRODUCT:

Series MNX, Cartridge Collector



TECHNICAL INFORMATION

In the interest of continuing product improvement, we reserve the right to change models, specifications, and/or features without prejudice.

PROJECT: _____
LOCATION: _____
ARCHITECT: _____
ENGINEER: _____
CONTRACTOR: _____
DATE: _____ SALES ENGINEER: _____

www.monoxivent.com

info@monoxivent.com

309-794-1000

Page: CF-17

THIS PAGE LEFT INTENTIONALLY BLANK

DISCONTINUED PRODUCT:

Series MNX, Cartridge Collector



TECHNICAL INFORMATION

In the interest of continuing product improvement, we reserve the right to change models, specifications, and/or features without prejudice.

PROJECT: _____
LOCATION: _____
ARCHITECT: _____
ENGINEER: _____
CONTRACTOR: _____
DATE: _____ SALES ENGINEER: _____

www.monoxivent.com

info@monoxivent.com

309-794-1000

Page: CF-18

THIS PAGE LEFT INTENTIONALLY BLANK

DISCONTINUED PRODUCT:

Series MNX, Cartridge Collector



TECHNICAL INFORMATION

In the interest of continuing product improvement, we reserve the right to change models, specifications, and/or features without prejudice.

PROJECT: _____
LOCATION: _____
ARCHITECT: _____
ENGINEER: _____
CONTRACTOR: _____
DATE: _____ SALES ENGINEER: _____

www.monoxivent.com

info@monoxivent.com

309-794-1000

Page: CF-19

THIS PAGE LEFT INTENTIONALLY BLANK

DISCONTINUED PRODUCT:

Series MNX, Cartridge Collector



TECHNICAL INFORMATION

In the interest of continuing product improvement, we reserve the right to change models, specifications, and/or features without prejudice.

PROJECT: _____
LOCATION: _____
ARCHITECT: _____
ENGINEER: _____
CONTRACTOR: _____
DATE: _____ SALES ENGINEER: _____

www.monoxivent.com

info@monoxivent.com

309-794-1000

Page: CF-20

THIS PAGE LEFT INTENTIONALLY BLANK

DISCONTINUED PRODUCT:

Series MNX, Cartridge Collector



TECHNICAL INFORMATION

In the interest of continuing product improvement, we reserve the right to change models, specifications, and/or features without prejudice.

PROJECT: _____
LOCATION: _____
ARCHITECT: _____
ENGINEER: _____
CONTRACTOR: _____
DATE: _____ SALES ENGINEER: _____

www.monoxivent.com

info@monoxivent.com

309-794-1000

Page: CF-21

THIS PAGE LEFT INTENTIONALLY BLANK

DISCONTINUED PRODUCT:

Series MNX, Cartridge Collector



TECHNICAL INFORMATION

In the interest of continuing product improvement, we reserve the right to change models, specifications, and/or features without prejudice.

PROJECT: _____
LOCATION: _____
ARCHITECT: _____
ENGINEER: _____
CONTRACTOR: _____
DATE: _____ SALES ENGINEER: _____

www.monoxivent.com

info@monoxivent.com

309-794-1000

Page: CF-22

THIS PAGE LEFT INTENTIONALLY BLANK

DISCONTINUED PRODUCT:

Series MNX, Cartridge Collector



TECHNICAL INFORMATION

In the interest of continuing product improvement, we reserve the right to change models, specifications, and/or features without prejudice.

PROJECT: _____
LOCATION: _____
ARCHITECT: _____
ENGINEER: _____
CONTRACTOR: _____
DATE: _____ SALES ENGINEER: _____

www.monoxivent.com

info@monoxivent.com

309-794-1000

Page: CF-23

THIS PAGE LEFT INTENTIONALLY BLANK

DISCONTINUED PRODUCT:

Series MNX, Cartridge Collector



TECHNICAL INFORMATION

In the interest of continuing product improvement, we reserve the right to change models, specifications, and/or features without prejudice.

PROJECT: _____

LOCATION: _____

ARCHITECT: _____

ENGINEER: _____

CONTRACTOR: _____

DATE: _____ SALES ENGINEER: _____

www.monoxivent.com

info@monoxivent.com

309-794-1000

Page: CF-24

THIS PAGE LEFT INTENTIONALLY BLANK

DISCONTINUED PRODUCT:

Series MNX, Cartridge Collector



TECHNICAL INFORMATION

In the interest of continuing product improvement, we reserve the right to change models, specifications, and/or features without prejudice.

PROJECT: _____
 LOCATION: _____
 ARCHITECT: _____
 ENGINEER: _____
 CONTRACTOR: _____
 DATE: _____ SALES ENGINEER: _____

www.monoxivent.com

info@monoxivent.com

309-794-1000

Page: CF-25

THIS PAGE LEFT INTENTIONALLY BLANK

DISCONTINUED PRODUCT:

Series MNX, Cartridge Collector



TECHNICAL INFORMATION

In the interest of continuing product improvement, we reserve the right to change models, specifications, and/or features without prejudice.

PROJECT: _____

LOCATION: _____

ARCHITECT: _____

ENGINEER: _____

CONTRACTOR: _____

DATE: _____ SALES ENGINEER: _____

www.monoxivent.com

info@monoxivent.com

309-794-1000

Page: CF-26

THIS PAGE LEFT INTENTIONALLY BLANK

DISCONTINUED PRODUCT:

Series MNX, Cartridge Collector



TECHNICAL INFORMATION

In the interest of continuing product improvement, we reserve the right to change models, specifications, and/or features without prejudice.

PROJECT: _____
LOCATION: _____
ARCHITECT: _____
ENGINEER: _____
CONTRACTOR: _____
DATE: _____ SALES ENGINEER: _____

www.monoxivent.com

info@monoxivent.com

309-794-1000

Page: CF-27

THIS PAGE LEFT INTENTIONALLY BLANK

DISCONTINUED PRODUCT:

Series MNX, Cartridge Collector



TECHNICAL INFORMATION

In the interest of continuing product improvement, we reserve the right to change models, specifications, and/or features without prejudice.

PROJECT: _____
LOCATION: _____
ARCHITECT: _____
ENGINEER: _____
CONTRACTOR: _____
DATE: _____ SALES ENGINEER: _____

www.monoxivent.com

info@monoxivent.com

309-794-1000

Page: CF-28

THIS PAGE LEFT INTENTIONALLY BLANK

DISCONTINUED PRODUCT:

Series MNX, Cartridge Collector



TECHNICAL INFORMATION

In the interest of continuing product improvement, we reserve the right to change models, specifications, and/or features without prejudice.

PROJECT: _____
LOCATION: _____
ARCHITECT: _____
ENGINEER: _____
CONTRACTOR: _____
DATE: _____ SALES ENGINEER: _____

www.monoxivent.com

info@monoxivent.com

309-794-1000

Page: CF-29

THIS PAGE LEFT INTENTIONALLY BLANK

DISCONTINUED PRODUCT:

Series MNX, Cartridge Collector



TECHNICAL INFORMATION

In the interest of continuing product improvement, we reserve the right to change models, specifications, and/or features without prejudice.

PROJECT: _____
LOCATION: _____
ARCHITECT: _____
ENGINEER: _____
CONTRACTOR: _____
DATE: _____ SALES ENGINEER: _____

www.monoxivent.com

info@monoxivent.com

309-794-1000

Page: CF-30

THIS PAGE LEFT INTENTIONALLY BLANK

DISCONTINUED PRODUCT:

Series MNX, Cartridge Collector



TECHNICAL INFORMATION

In the interest of continuing product improvement, we reserve the right to change models, specifications, and/or features without prejudice.

PROJECT: _____
LOCATION: _____
ARCHITECT: _____
ENGINEER: _____
CONTRACTOR: _____
DATE: _____ SALES ENGINEER: _____

www.monoxivent.com

info@monoxivent.com

309-794-1000

Page: CF-31

THIS PAGE LEFT INTENTIONALLY BLANK

DISCONTINUED PRODUCT:

Series MNX, Cartridge Collector



TECHNICAL INFORMATION

In the interest of continuing product improvement, we reserve the right to change models, specifications, and/or features without prejudice.

PROJECT: _____
LOCATION: _____
ARCHITECT: _____
ENGINEER: _____
CONTRACTOR: _____
DATE: _____ SALES ENGINEER: _____

www.monoxivent.com

info@monoxivent.com

309-794-1000

Page: CF-32

THIS PAGE LEFT INTENTIONALLY BLANK

DISCONTINUED PRODUCT:

Series MNX, Cartridge Collector



TECHNICAL INFORMATION

In the interest of continuing product improvement, we reserve the right to change models, specifications, and/or features without prejudice.

PROJECT: _____
LOCATION: _____
ARCHITECT: _____
ENGINEER: _____
CONTRACTOR: _____
DATE: _____ SALES ENGINEER: _____

www.monoxivent.com

info@monoxivent.com

309-794-1000

Page: CF-33

THIS PAGE LEFT INTENTIONALLY BLANK

DISCONTINUED PRODUCT:

Series MNX, Cartridge Collector



TECHNICAL INFORMATION

In the interest of continuing product improvement, we reserve the right to change models, specifications, and/or features without prejudice.

PROJECT: _____
LOCATION: _____
ARCHITECT: _____
ENGINEER: _____
CONTRACTOR: _____
DATE: _____ SALES ENGINEER: _____

www.monoxivent.com

info@monoxivent.com

309-794-1000

Page: CF-34

THIS PAGE LEFT INTENTIONALLY BLANK

DISCONTINUED PRODUCT:

Series MNX, Cartridge Collector



TECHNICAL INFORMATION

In the interest of continuing product improvement, we reserve the right to change models, specifications, and/or features without prejudice.

PROJECT: _____
LOCATION: _____
ARCHITECT: _____
ENGINEER: _____
CONTRACTOR: _____
DATE: _____ SALES ENGINEER: _____

www.monoxivent.com

info@monoxivent.com

309-794-1000

Page: CF-35

THIS PAGE LEFT INTENTIONALLY BLANK

DISCONTINUED PRODUCT:

Series MNX, Cartridge Collector



TECHNICAL INFORMATION

In the interest of continuing product improvement,
we reserve the right to change models,
specifications, and/or features without prejudice.

PROJECT: _____
LOCATION: _____
ARCHITECT: _____
ENGINEER: _____
CONTRACTOR: _____
DATE: _____ SALES ENGINEER: _____

www.monoxivent.com

info@monoxivent.com

309-794-1000

Page: CF-36

THIS PAGE LEFT INTENTIONALLY BLANK

DISCONTINUED PRODUCT:

Series MNX, Cartridge Collector



TECHNICAL INFORMATION

In the interest of continuing product improvement, we reserve the right to change models, specifications, and/or features without prejudice.

PROJECT: _____
LOCATION: _____
ARCHITECT: _____
ENGINEER: _____
CONTRACTOR: _____
DATE: _____ SALES ENGINEER: _____

www.monoxivent.com

info@monoxivent.com

309-794-1000

Page: CF-37

THIS PAGE LEFT INTENTIONALLY BLANK

DISCONTINUED PRODUCT:

Series MNX, Cartridge Collector



TECHNICAL INFORMATION

In the interest of continuing product improvement, we reserve the right to change models, specifications, and/or features without prejudice.

PROJECT: _____
LOCATION: _____
ARCHITECT: _____
ENGINEER: _____
CONTRACTOR: _____
DATE: _____ SALES ENGINEER: _____

www.monoxivent.com

info@monoxivent.com

309-794-1000

Page: CF-38

THIS PAGE LEFT INTENTIONALLY BLANK

DISCONTINUED PRODUCT:

Series MNX, Cartridge Collector



MNX-3-18 Cartridge Collector,
Specifications

TECHNICAL INFORMATION

In the interest of continuing product improvement,
we reserve the right to change models,
specifications, and/or features without prejudice.

PROJECT: _____
LOCATION: _____
ARCHITECT: _____
ENGINEER: _____
CONTRACTOR: _____
DATE: _____ SALES ENGINEER: _____

www.monoxivent.com

info@monoxivent.com

309-794-1000

Page: CF-39

THIS PAGE LEFT INTENTIONALLY BLANK

DISCONTINUED PRODUCT:

Series MNX, Cartridge Collector



TECHNICAL INFORMATION

In the interest of continuing product improvement, we reserve the right to change models, specifications, and/or features without prejudice.

PROJECT: _____
LOCATION: _____
ARCHITECT: _____
ENGINEER: _____
CONTRACTOR: _____
DATE: _____ SALES ENGINEER: _____

www.monoxivent.com

info@monoxivent.com

309-794-1000

Page: CF-40

THIS PAGE LEFT INTENTIONALLY BLANK

DISCONTINUED PRODUCT:

Series MNX, Cartridge Collector



TECHNICAL INFORMATION

In the interest of continuing product improvement, we reserve the right to change models, specifications, and/or features without prejudice.

PROJECT: _____
LOCATION: _____
ARCHITECT: _____
ENGINEER: _____
CONTRACTOR: _____
DATE: _____ SALES ENGINEER: _____

www.monoxivent.com

info@monoxivent.com

309-794-1000

Page: CF-41

THIS PAGE LEFT INTENTIONALLY BLANK

DISCONTINUED PRODUCT:

Series MNX, Cartridge Collector



TECHNICAL INFORMATION

In the interest of continuing product improvement, we reserve the right to change models, specifications, and/or features without prejudice.

PROJECT: _____
LOCATION: _____
ARCHITECT: _____
ENGINEER: _____
CONTRACTOR: _____
DATE: _____ SALES ENGINEER: _____

www.monoxivent.com

info@monoxivent.com

309-794-1000

Page: CF-42

THIS PAGE LEFT INTENTIONALLY BLANK

DISCONTINUED PRODUCT:

Series MNX, Cartridge Collector



TECHNICAL INFORMATION

In the interest of continuing product improvement, we reserve the right to change models, specifications, and/or features without prejudice.

PROJECT: _____
LOCATION: _____
ARCHITECT: _____
ENGINEER: _____
CONTRACTOR: _____
DATE: _____ SALES ENGINEER: _____

www.monoxivent.com

info@monoxivent.com

309-794-1000

Page: CF-43

THIS PAGE LEFT INTENTIONALLY BLANK

DISCONTINUED PRODUCT:

Series MNX, Cartridge Collector



TECHNICAL INFORMATION

In the interest of continuing product improvement, we reserve the right to change models, specifications, and/or features without prejudice.

PROJECT: _____

LOCATION: _____

ARCHITECT: _____

ENGINEER: _____

CONTRACTOR: _____

DATE: _____ SALES ENGINEER: _____

www.monoxivent.com

info@monoxivent.com

309-794-1000

Page: CF-44

THIS PAGE LEFT INTENTIONALLY BLANK

DISCONTINUED PRODUCT:

Series MNX, Cartridge Collector



TECHNICAL INFORMATION

In the interest of continuing product improvement, we reserve the right to change models, specifications, and/or features without prejudice.

PROJECT: _____
LOCATION: _____
ARCHITECT: _____
ENGINEER: _____
CONTRACTOR: _____
DATE: _____ SALES ENGINEER: _____

www.monoxivent.com

info@monoxivent.com

309-794-1000

Page: CF-45

THIS PAGE LEFT INTENTIONALLY BLANK

DISCONTINUED PRODUCT:

Series MNX, Cartridge Collector



TECHNICAL INFORMATION

In the interest of continuing product improvement, we reserve the right to change models, specifications, and/or features without prejudice.

PROJECT: _____

LOCATION: _____

ARCHITECT: _____

ENGINEER: _____

CONTRACTOR: _____

DATE: _____ SALES ENGINEER: _____

www.monoxivent.com

info@monoxivent.com

309-794-1000

Page: CF-46

THIS PAGE LEFT INTENTIONALLY BLANK

DISCONTINUED PRODUCT:

Series MNX, Cartridge Collector Blower



TECHNICAL INFORMATION

In the interest of continuing product improvement, we reserve the right to change models, specifications, and/or features without prejudice.

PROJECT: _____
LOCATION: _____
ARCHITECT: _____
ENGINEER: _____
CONTRACTOR: _____
DATE: _____ SALES ENGINEER: _____

www.monoxivent.com

info@monoxivent.com

309-794-1000

Page: CF-47

THIS PAGE LEFT INTENTIONALLY BLANK

DISCONTINUED PRODUCT:

Series MNX, Cartridge Collector Blower



TECHNICAL INFORMATION

In the interest of continuing product improvement, we reserve the right to change models, specifications, and/or features without prejudice.

PROJECT: _____

LOCATION: _____

ARCHITECT: _____

ENGINEER: _____

CONTRACTOR: _____

DATE: _____ SALES ENGINEER: _____

www.monoxivent.com

info@monoxivent.com

309-794-1000

Page: CF-48

THIS PAGE LEFT INTENTIONALLY BLANK

DISCONTINUED PRODUCT:

Series MNX, Cartridge Collector Blower



TECHNICAL INFORMATION

In the interest of continuing product improvement, we reserve the right to change models, specifications, and/or features without prejudice.

PROJECT: _____
LOCATION: _____
ARCHITECT: _____
ENGINEER: _____
CONTRACTOR: _____
DATE: _____ SALES ENGINEER: _____

www.monoxivent.com

info@monoxivent.com

309-794-1000

Page: CF-49

THIS PAGE LEFT INTENTIONALLY BLANK

DISCONTINUED PRODUCT:

Series MNX, Cartridge Collector Starter

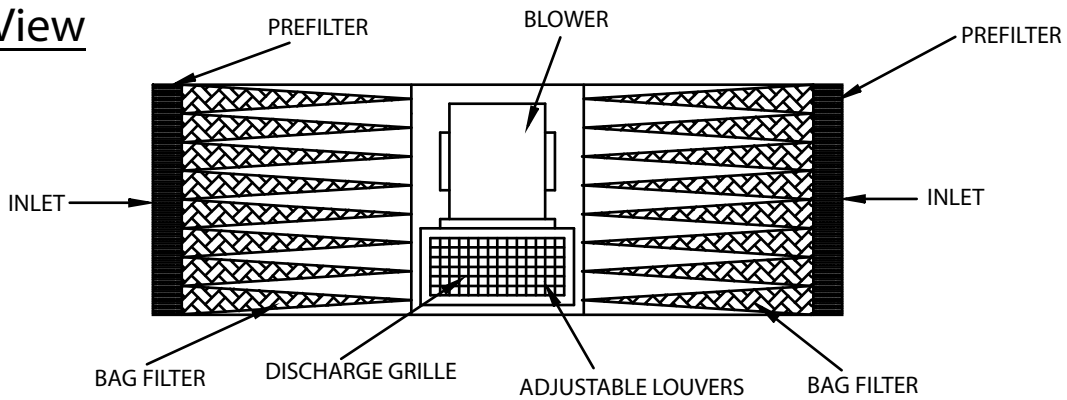
**TECHNICAL
INFORMATION**

In the interest of continuing product improvement,
we reserve the right to change models,
specifications, and/or features without prejudice.

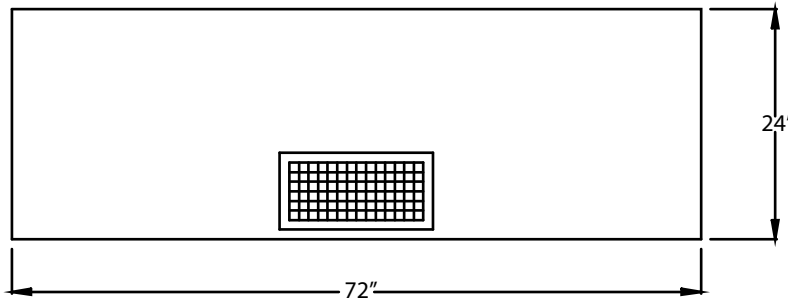
PROJECT: _____
 LOCATION: _____
 ARCHITECT: _____
 ENGINEER: _____
 CONTRACTOR: _____
 DATE: _____ SALES ENGINEER: _____

SERIES - 3030, EXPLODED VIEW

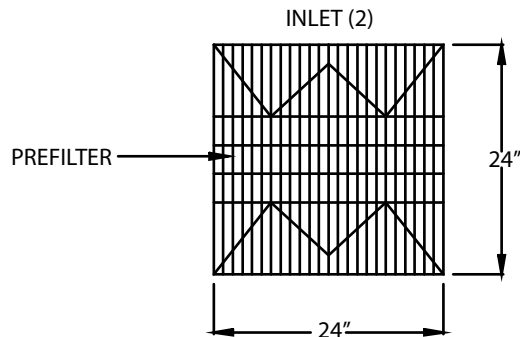
Side View



Side View



End View





Free Hanging Filter Unit,
Dual Inlet Design
Series 3030

TECHNICAL INFORMATION

In the interest of continuing product improvement,
we reserve the right to change models,
specifications, and/or features without prejudice.

PROJECT: _____
LOCATION: _____
ARCHITECT: _____
ENGINEER: _____
CONTRACTOR: _____
DATE: _____ SALES ENGINEER: _____

www.monoxivent.com

info@monoxivent.com

309-794-1000

Page: CF-51

SERIES - 3030 GENERAL SPECIFICATIONS

Air Flow Capacity	2250 & 3000 CFM
Motor Type	3/4 HP Direct Drive
Motor Voltage	115/120/1 Phase 60 HZ
Motor Control	2 Speed
Blower Type	Forward Curve
Noise Level	58 DBA @ 3'
Cabinet	16 Gauge All Welded
Paint	Blue Poly
Inlet	Dual
Pre-Filter (2)	Pleated - 24 x 24 x 4
Primary Filter (2)	8 Pocket Bag 24 x 24 x 22 65% or 95%
Filter Load Service	End Load
Weight	170 Pounds

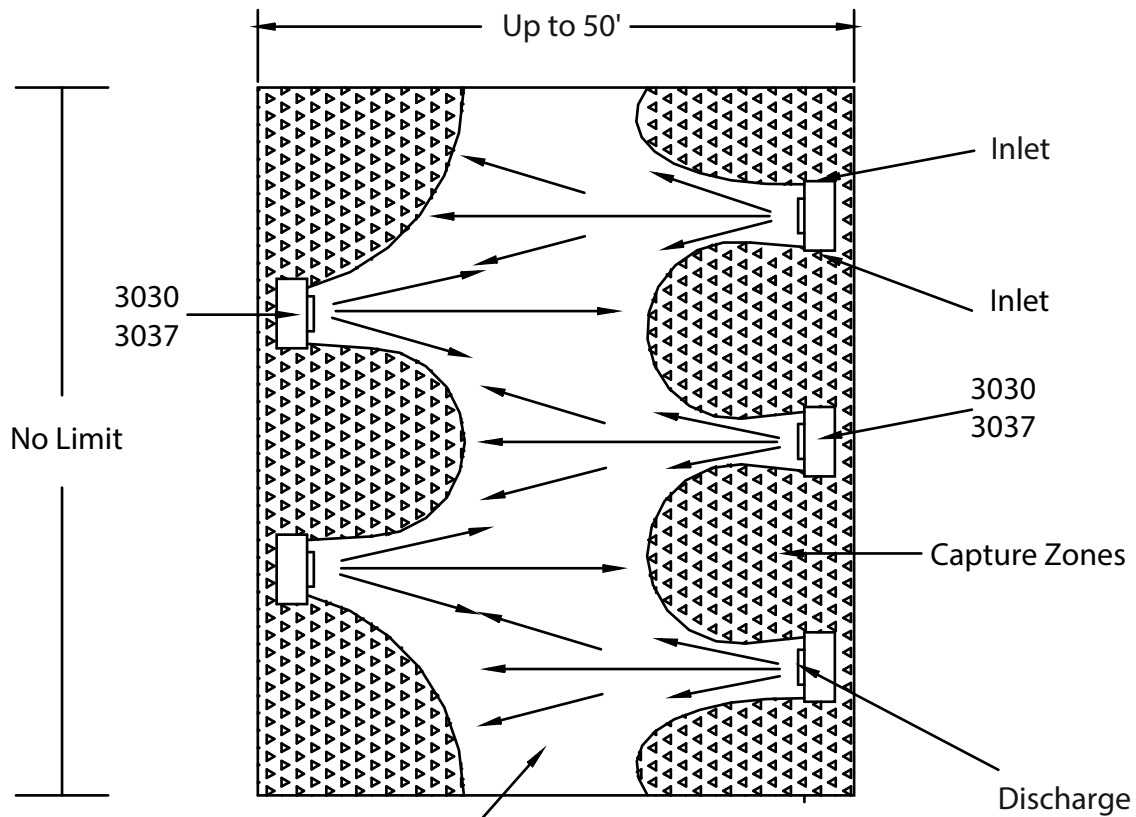
**TECHNICAL
INFORMATION**

In the interest of continuing product improvement, we reserve the right to change models, specifications, and/or features without prejudice.

PROJECT: _____
 LOCATION: _____
 ARCHITECT: _____
 ENGINEER: _____
 CONTRACTOR: _____
 DATE: _____ SALES ENGINEER: _____

FREE HANGING FILTER UNIT, SERIES 3030 & 3037, SHUTTLE AIR PATTERN

The following drawing displays a typical shuttle air pattern created by the dual inlet free hanging filter unit. This type of design is the most effective when designing a general air cleaning system. This unique design allows the smoke/dust that is being created in the center of the floor to be pushed across and into the capture zone of the collector. The total number of units required is based upon the cubic feet, along with the width by length footprint, of the building or the area where the airborne particulate is being created. The maximum height mounting suggested for the units is 10 feet. Spacing between units is important and this may vary between applications. Please consult the factory for assistance.



Filtered air:
Arrows show the shuttle air pattern created by the cross-flow discharge of air.

Note: Please note that the shuttle air pattern is far more effective over the race track air pattern. We suggest using the shuttle air pattern for most applications.

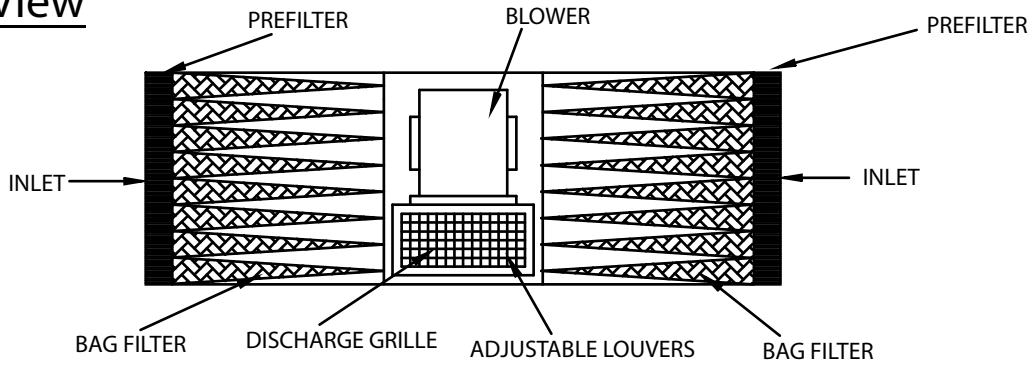
**TECHNICAL
INFORMATION**

In the interest of continuing product improvement,
we reserve the right to change models,
specifications, and/or features without prejudice.

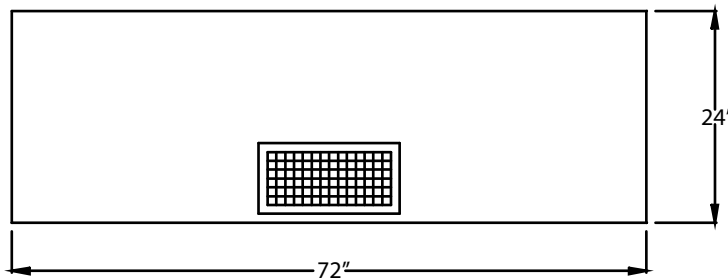
PROJECT: _____
 LOCATION: _____
 ARCHITECT: _____
 ENGINEER: _____
 CONTRACTOR: _____
 DATE: _____ SALES ENGINEER: _____

SERIES 3037, EXPLODED VIEW

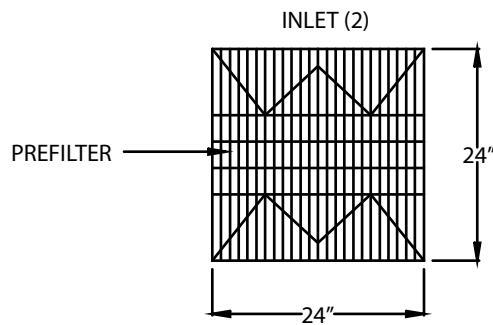
Side View



Side View



End View





Free Hanging Filter Unit
Dual Inlet Design
Series 3037

TECHNICAL INFORMATION

In the interest of continuing product improvement, we reserve the right to change models, specifications, and/or features without prejudice.

PROJECT: _____
 LOCATION: _____
 ARCHITECT: _____
 ENGINEER: _____
 CONTRACTOR: _____
 DATE: _____ SALES ENGINEER: _____

www.monoxivent.com

info@monoxivent.com

309-794-1000

Page: CF-54

SERIES - 3037 GENERAL SPECIFICATIONS

Air Flow Capacity	3700 CFM
Motor Type	2 HP Belt Drive
Motor Voltage	230/460/3 Phase 60 HZ
Motor Control	1 Speed
Blower Type	Forward Curve
Noise Level	68 DBA @ 3'
Cabinet	16 Gauge All Welded
Paint	Blue Poly
Inlet	Dual
Pre-Filter (2)	Pleated - 24 x 24 x 4
Primary Filter (2)	8 Pocket Bag 24 x 24 x 22 65% or 95%
Filter Load Service	End Load
Weight	190 Pounds

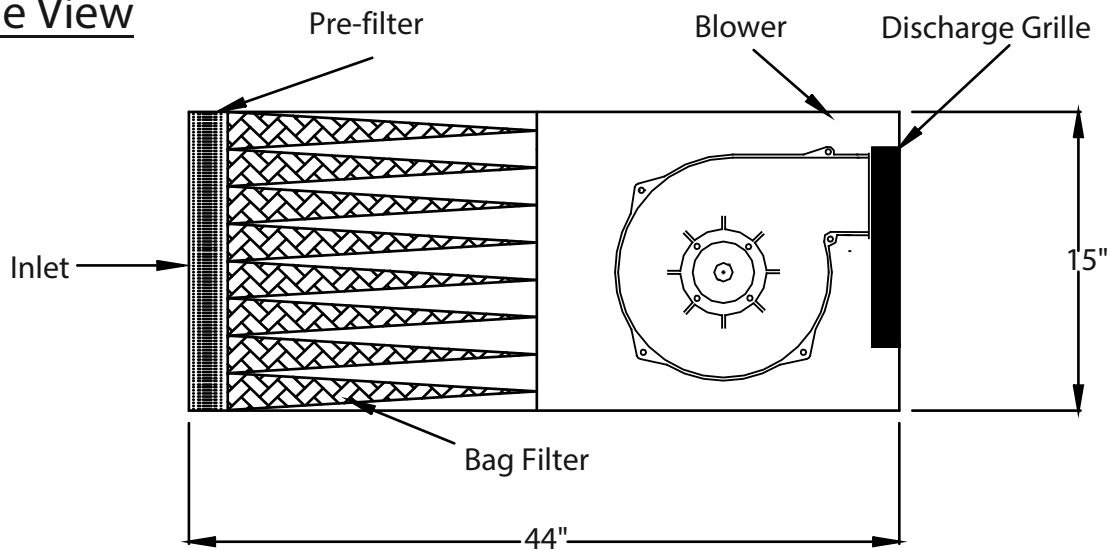
**TECHNICAL
INFORMATION**

In the interest of continuing product improvement,
we reserve the right to change models,
specifications, and/or features without prejudice.

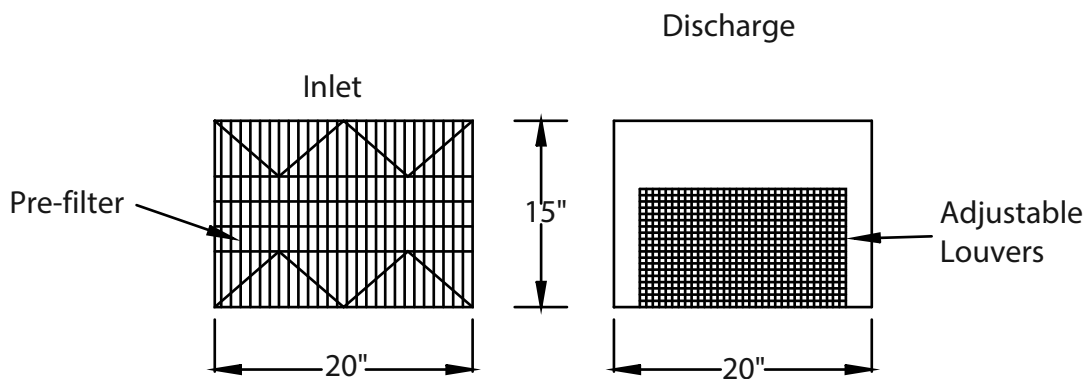
PROJECT: _____
 LOCATION: _____
 ARCHITECT: _____
 ENGINEER: _____
 CONTRACTOR: _____
 DATE: _____ SALES ENGINEER: _____

Series - 3011
Exploded View

Side View



End View





Free Hanging Filter Unit
Series 3011
General Specifications

TECHNICAL INFORMATION

In the interest of continuing product improvement,
we reserve the right to change models,
specifications, and/or features without prejudice.

PROJECT: _____
LOCATION: _____
ARCHITECT: _____
ENGINEER: _____
CONTRACTOR: _____
DATE: _____ SALES ENGINEER: _____

www.monoxivent.com

info@monoxivent.com

309-794-1000

Page: CF-56

SERIES - 3011 GENERAL SPECIFICATIONS

Air Flow Capacity	300 to 1100 CFM
Motor Type	1/3 HP Direct Drive
Motor Voltage	115/120/1 Phase 60 HZ
Motor Control	Variable Knob
Blower Type	Centrifugal - Forward Curve
Noise Level	Field Adjustable
Cabinet	16 Gauge
Paint	Dark Brown Acrylic
Inlet	Single
Pre-Filter (1)	Pleated - 15" x 20" x 1"
Primary Filter (1)	8 Pocket Bag 15" x 20" x 26" 65% or 95%
Filter Load Service	End Load
Weight	80 Pounds

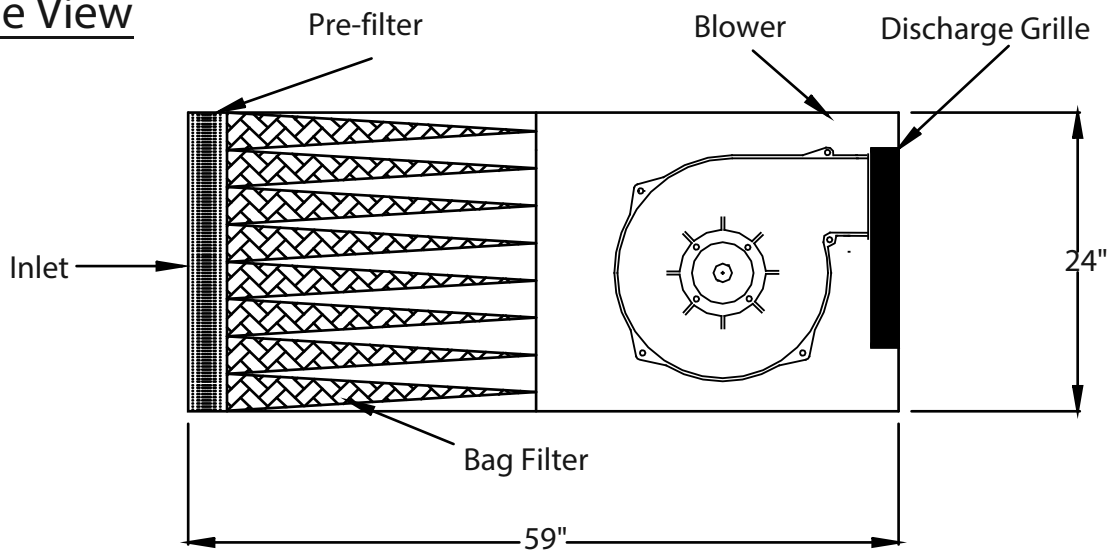
**TECHNICAL
INFORMATION**

In the interest of continuing product improvement,
we reserve the right to change models,
specifications, and/or features without prejudice.

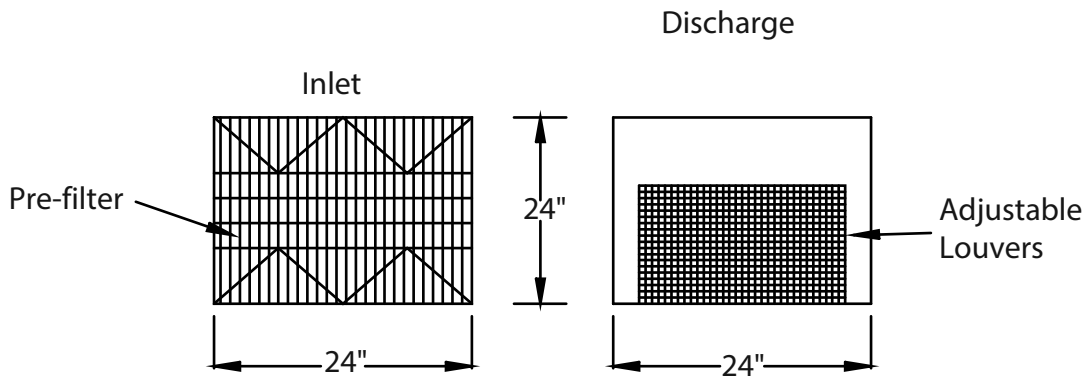
PROJECT: _____
 LOCATION: _____
 ARCHITECT: _____
 ENGINEER: _____
 CONTRACTOR: _____
 DATE: _____ SALES ENGINEER: _____

Series - 3025
Exploded View

Side View



End View



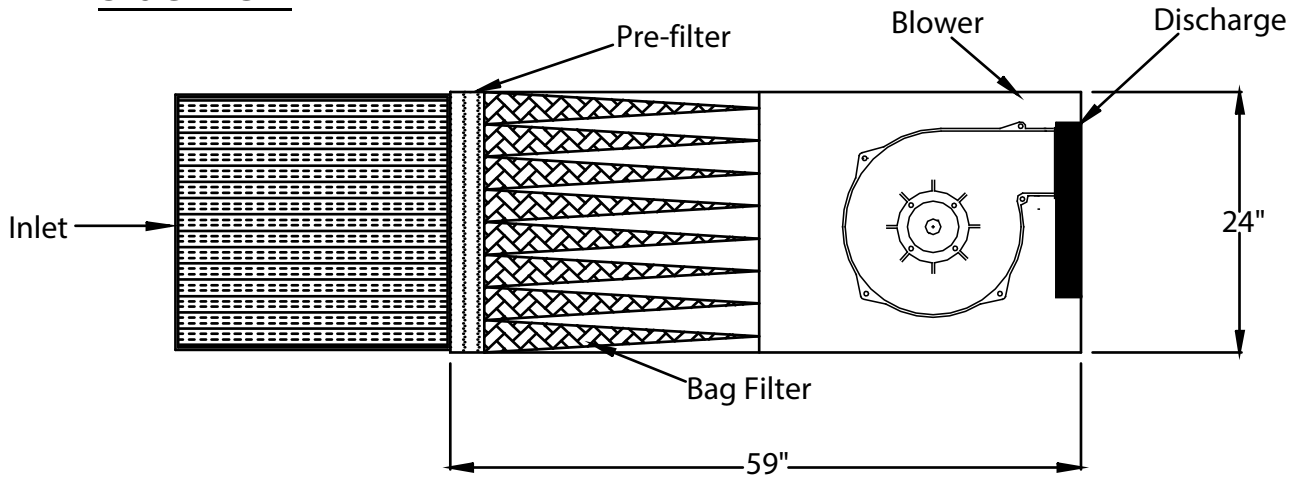
**TECHNICAL
INFORMATION**

In the interest of continuing product improvement,
we reserve the right to change models,
specifications, and/or features without prejudice.

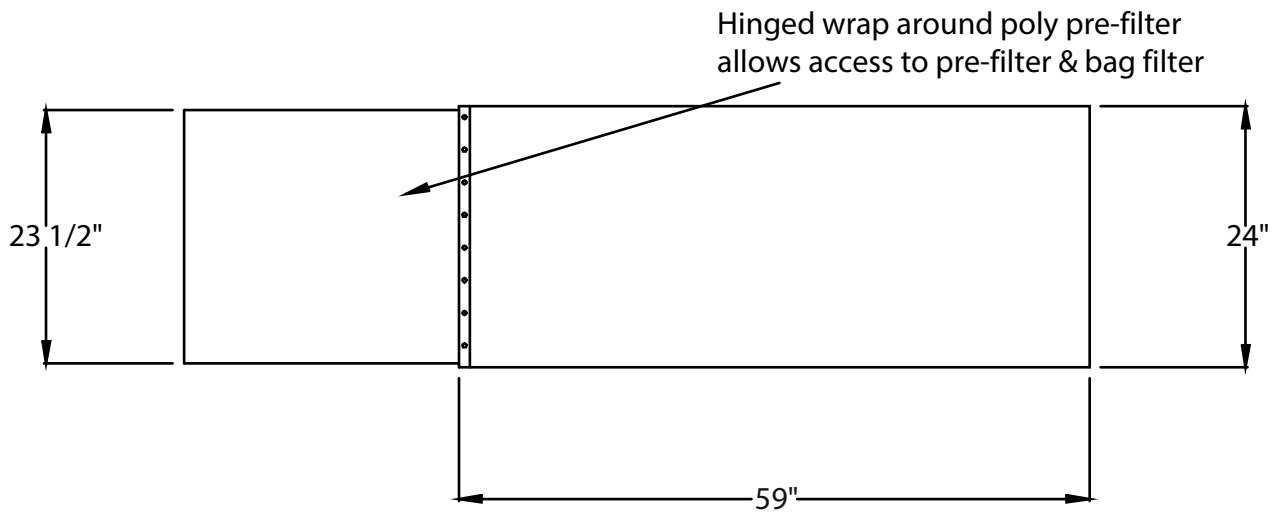
PROJECT: _____
 LOCATION: _____
 ARCHITECT: _____
 ENGINEER: _____
 CONTRACTOR: _____
 DATE: _____ SALES ENGINEER: _____

SERIES - 3025-WR
EXPLODED VIEW

Side View



Side View





Free Hanging Filter Unit
Series - 3025 & 3025-WR
General Specifications

TECHNICAL INFORMATION

In the interest of continuing product improvement,
we reserve the right to change models,
specifications, and/or features without prejudice.

PROJECT: _____
LOCATION: _____
ARCHITECT: _____
ENGINEER: _____
CONTRACTOR: _____
DATE: _____ SALES ENGINEER: _____

www.monoxivent.com

info@monoxivent.com

309-794-1000

Page: CF-59

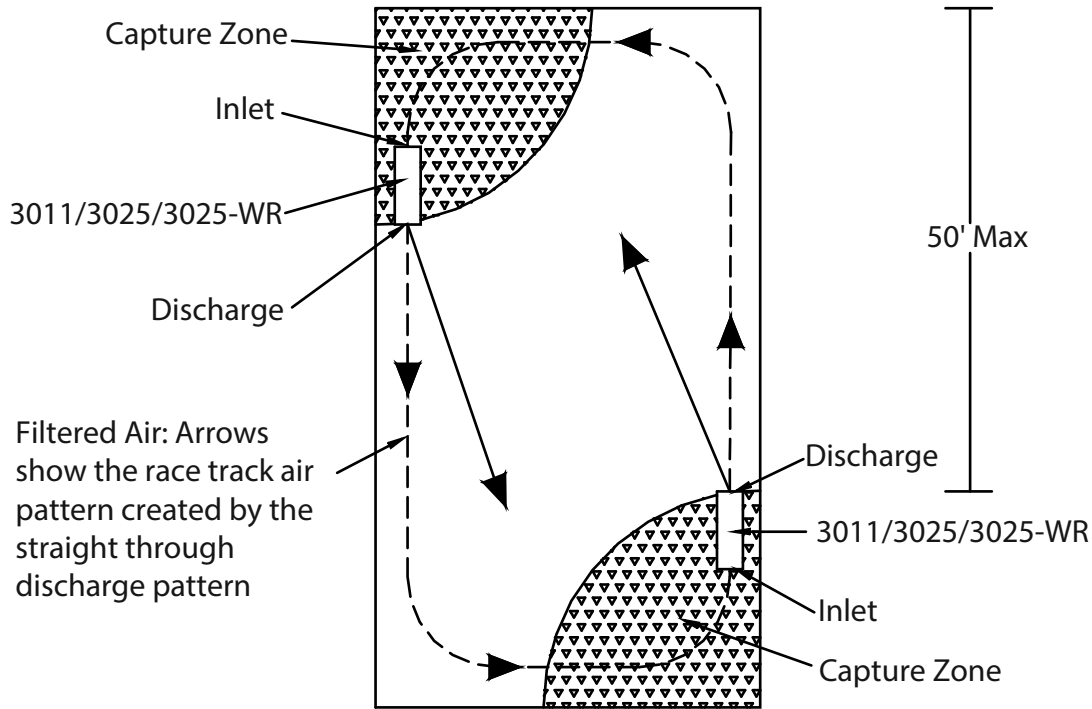
SERIES - 3025 & 3025-WR GENERAL SPECIFICATIONS

Air Flow Capacity	1750 to 2500 CFM
Motor Type	3/4 HP Direct Drive
Motor Voltage	115/120/1 Phase 60 HZ
Motor Control	2 Speed Switch
Blower Type	Forward Incline
Noise Level	67 DBA @ 3'
Cabinet	16 Gauge
Paint	Blue Poly
Inlet	Single
Pre-Filter (1)	Pleated - 24" x 24" x 4"
Primary Filter (1)	8 Pocket Bag 24" x 24" x 36" 65% or 95%
Filter Load Service	End Load
Weight	160 Pounds

**TECHNICAL
INFORMATION**

In the interest of continuing product improvement, we reserve the right to change models, specifications, and/or features without prejudice.

PROJECT: _____
 LOCATION: _____
 ARCHITECT: _____
 ENGINEER: _____
 CONTRACTOR: _____
 DATE: _____ SALES ENGINEER: _____



The drawing, above, shows a typical racetrack air pattern created by the “straight through” free hanging filter unit. This type of system is used for general air cleaning in welding or dust-related applications. The airborne particulate is pushed by the discharge air of one unit to the inlet, or filter side, of the next unit. The dirty air is then filtered and the process is repeated, therefore creating the racetrack effect.

By nature of the racetrack air pattern, areas can exist that are not affected by the flow of air that is developed by this type of system. This can create possible areas where airborne particulate might be missed.

The total number of units required depends on the cubic feet of the given space and the width by length footprint. Maximum mounting height of the units is 10 feet. Spacing between the units is important and will vary from application to application. Please contact the factory for design assistance.



TECHNICAL INFORMATION

In the interest of continuing product improvement, we reserve the right to change models, specifications, and/or features without prejudice.

PROJECT: _____
LOCATION: _____
ARCHITECT: _____
ENGINEER: _____
CONTRACTOR: _____
DATE: _____ SALES ENGINEER: _____

www.monoxivent.com

info@monoxivent.com

309-794-1000

Page: CF-61

THIS PAGE LEFT

INTENTIONALLY BLANK

DISCONTINUED PRODUCT:

MNX-DDT-2000 - Downdraft Table



TECHNICAL INFORMATION

In the interest of continuing product improvement, we reserve the right to change models, specifications, and/or features without prejudice.

PROJECT: _____
LOCATION: _____
ARCHITECT: _____
ENGINEER: _____
CONTRACTOR: _____
DATE: _____ SALES ENGINEER: _____

www.monoxivent.com

info@monoxivent.com

309-794-1000

Page: CF-62

THIS PAGE LEFT

INTENTIONALLY BLANK

DISCONTINUED PRODUCT:

MNX-DDT-2000 - Downdraft Table



TECHNICAL INFORMATION

In the interest of continuing product improvement, we reserve the right to change models, specifications, and/or features without pre udice.

PROJECT: _____
LOCATION: _____
ARCHITECT: _____
ENGINEER: _____
CONTRACTOR: _____
DATE: _____ SALES ENGINEER: _____

www.monoxivent.com

info@monoxivent.com

309-794-1000

Page: CF-63

THIS PAGE LEFT

INTENTIONALLY BLANK

DISCONTINUED PRODUCT:

MNX-DDT-3000 - Downdraft Table



TECHNICAL INFORMATION

In the interest of continuing product improvement, we reserve the right to change models, specifications, and/or features without prejudice.

PROJECT: _____
LOCATION: _____
ARCHITECT: _____
ENGINEER: _____
CONTRACTOR: _____
DATE: _____ SALES ENGINEER: _____

www.monoxivent.com

info@monoxivent.com

309-794-1000

Page: CF-64

THIS PAGE LEFT

INTENTIONALLY BLANK

DISCONTINUED PRODUCT:

MNX-DDT-3000 - Downdraft Table

TECHNICAL INFORMATION

In the interest of continuing product improvement,
we reserve the right to change models,
specifications, and/or features without prejudice.

PROJECT: _____
LOCATION: _____
ARCHITECT: _____
ENGINEER: _____
CONTRACTOR: _____
DATE: _____ SALES ENGINEER: _____

CYCLONE DUST COLLECTORS



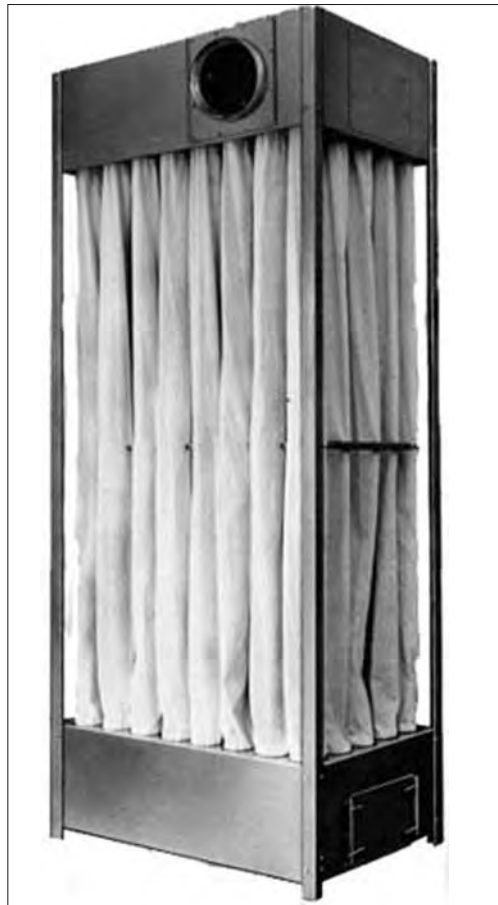
The cyclone separator is the most efficient dust collector for cost. These cyclones are equipped with top mount motors and fans, which pull contaminated air into the cyclone through the lower side opening. The centrifugal effect of the cyclone, created by rapid rotation of the high velocity air stream, forcibly precipitates dust out of the bottom and into a container, which fits the application. Clean air is released through the upper side opening.

Cyclones are available in both pull through and blow through configurations.

**TECHNICAL
INFORMATION**

In the interest of continuing product improvement, we reserve the right to change models, specifications, and/or features without prejudice.

PROJECT: _____
LOCATION: _____
ARCHITECT: _____
ENGINEER: _____
CONTRACTOR: _____
DATE: _____ SALES ENGINEER: _____

AFTER FILTERS

After filters are designed to remove fine dust particles as small as 0.3 microns. They operate with cyclones in those situations, where coarse particles must first be removed. They also operate as a stand alone unit, with an exhauster, where large volumes of fine dusts are to be removed.

In operation, dirty air is forced into the after filter, where it passes through specially designed cloth filter tubes. Dust is captured by these filter tubes and flows into a hopper or container.

Dust is removed from the cloth filter tube by shakers, which can be operated manually or electrically.

Options/Features:

- * Direct drive exhausters from 0.5 to 10 horsepower.
- * Permits re-circulation of exhaust air where allowed.
- * Manual or powered shakers.
- * Automatic Controls.
- * Blow out panels.
- * Various dust bin configuration from pullout trays to 55 gallon drums.



Capacity Table
 MNX Series
 Cyclone Units

TECHNICAL INFORMATION

In the interest of continuing product improvement, we reserve the right to change models, specifications, and/or features without prejudice.

PROJECT: _____
 LOCATION: _____
 ARCHITECT: _____
 ENGINEER: _____
 CONTRACTOR: _____
 DATE: _____ SALES ENGINEER: _____

www.monoxivent.com

info@monoxivent.com

309-794-1000

Page: CF-67

CAPACITY TABLE

Pull-through MNX Series Cyclone Units

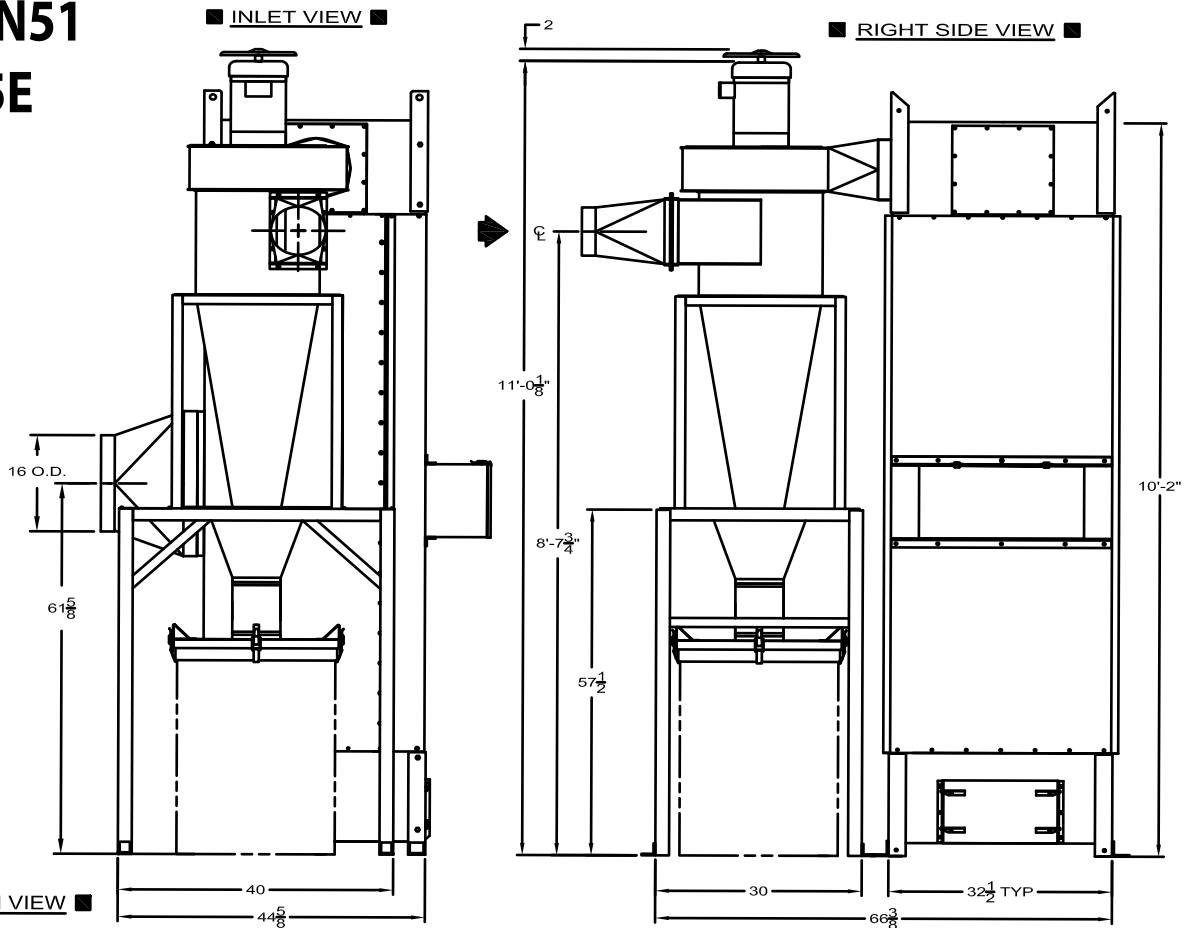
CFM	MNX20SN51	MNX30SN90	MNX60SN70	MNX70SN70	MNX80SN70
400	10.1				
500	9.9				
600	9.7				
700	9.5				
800	9.3				
850	9.1				
900	9.0				
950	8.8				
1000	8.7				
1050	8.4				
1100	8.3				
1200	8.0	11.0			
1300	7.7	10.9			
1400	7.3	10.8			
1500	6.9	10.7			
1600	6.5	10.7			
1700	6.1	10.6			
1800	5.6	10.5	10.5		
1900	5.2	10.4	10.4		
2000	4.8	10.3	10.1	16.3	
2100	4.3	10.1	10.0		
2200	3.9	9.9	9.8	16.0	
2300	3.4	9.6	9.5		
2400		9.3	9.3	15.7	
2500		8.2	9.1		
2600		7.8	8.9	15.3	
2700		7.3	8.7		
2800		6.8	8.4	14.8	
2900		6.2	8.2		
3000		5.3	8.0	14.2	14.3
3100		4.7	7.7	13.9	14.2
3200		4.1	7.5	13.5	14.0
3400		3.0	7.0	12.7	13.4
3600			6.5	12.0	12.9
3800			5.9	11.2	12.2
4000			5.4	10.5	11.6
4200			4.9	9.7	11.0
4400			4.3	9.0	10.3
4600			3.8	8.2	9.8
4800			3.3	7.2	9.1
5000			2.7	6.7	8.5
5200				5.9	7.8
5400				5.2	7.2
5600				4.4	6.7
5800				3.8	6.0
6000				3.2	5.5
6200					5.0
6400					4.5

**TECHNICAL
INFORMATION**

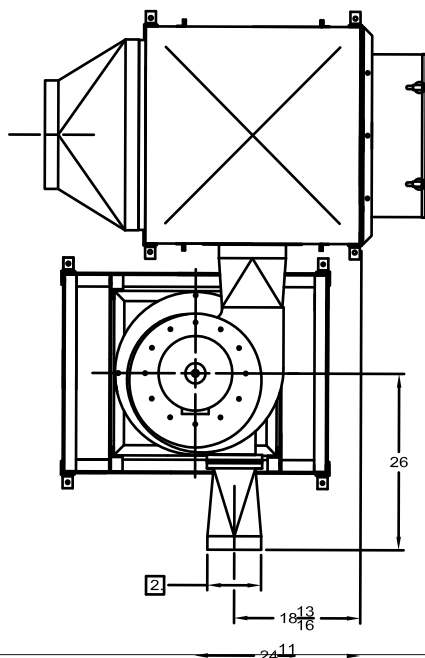
In the interest of continuing product improvement,
we reserve the right to change models,
specifications, and/or features without prejudice.

PROJECT: _____
 LOCATION: _____
 ARCHITECT: _____
 ENGINEER: _____
 CONTRACTOR: _____
 DATE: _____ SALES ENGINEER: _____

**MNX-20SN51
with FT25E**



PLAN VIEW



Model	Weights
MNX-20SN51	575 lbs
FT25E	540 lbs

NOTE

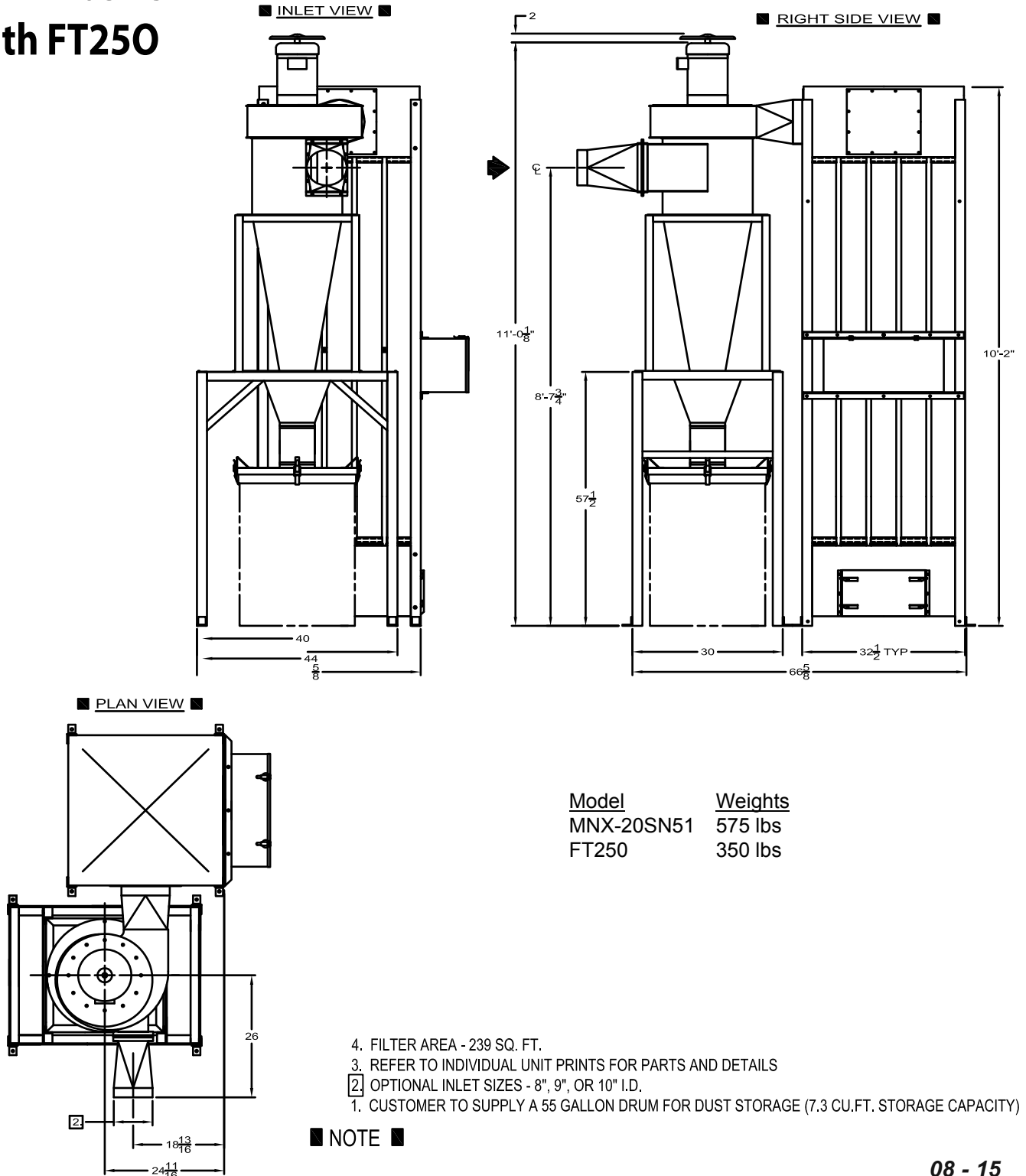
4. FILTER AREA - 229 SQ. FT.
3. REFER TO INDIVIDUAL UNIT PRINTS FOR PARTS AND DETAILS
2. OPTIONAL INLET SIZES - 8", 9", OR 10" I.D.
1. CUSTOMER TO SUPPLY A 55 GALLON DRUM FOR DUST STORAGE (7.3 CU.FT. STORAGE CAPACITY)

**TECHNICAL
INFORMATION**

In the interest of continuing product improvement,
we reserve the right to change models,
specifications, and/or features without prejudice.

PROJECT: _____
LOCATION: _____
ARCHITECT: _____
ENGINEER: _____
CONTRACTOR: _____
DATE: _____ SALES ENGINEER: _____

**MNX-20SN51
with FT250**



Model	Weights
MNX-20SN51	575 lbs
FT250	350 lbs

NOTE

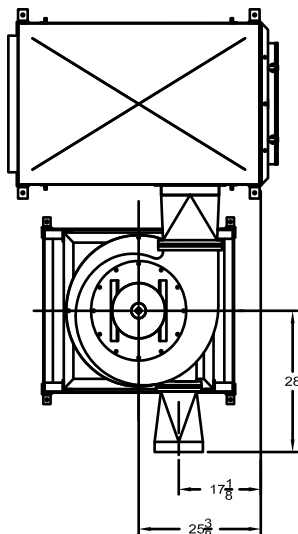
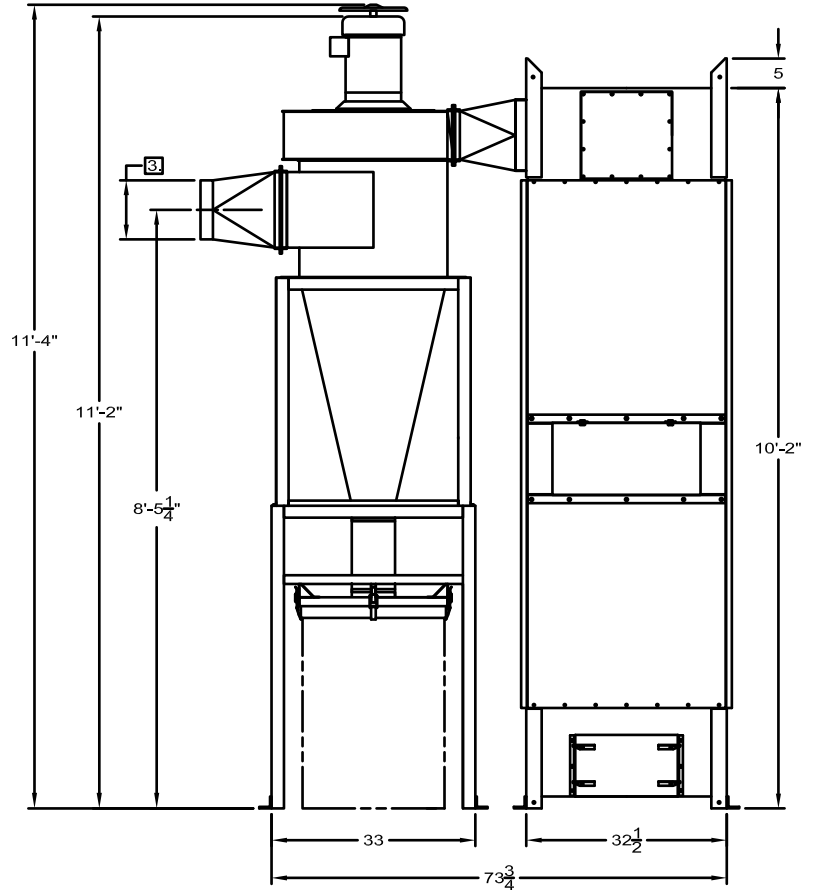
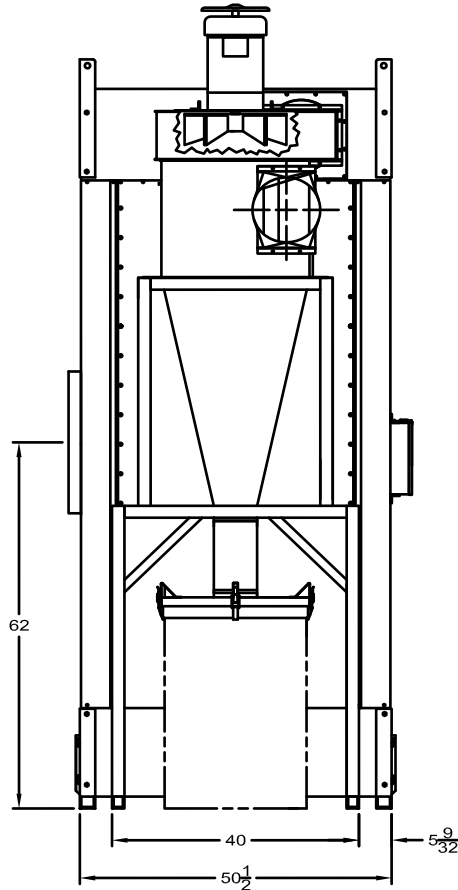
- 4. FILTER AREA - 239 SQ. FT.
- 3. REFER TO INDIVIDUAL UNIT PRINTS FOR PARTS AND DETAILS
- 2. OPTIONAL INLET SIZES - 8", 9", OR 10" I.D.
- 1. CUSTOMER TO SUPPLY A 55 GALLON DRUM FOR DUST STORAGE (7.3 CU.FT. STORAGE CAPACITY)

**TECHNICAL
INFORMATION**

In the interest of continuing product improvement,
we reserve the right to change models,
specifications, and/or features without prejudice.

PROJECT: _____
 LOCATION: _____
 ARCHITECT: _____
 ENGINEER: _____
 CONTRACTOR: _____
 DATE: _____ SALES ENGINEER: _____

**MNX-30SN90
with FT40E**



Model	Weights
MNX-30SN90	880 lbs
FT40E	710 lbs

- 5. REFER TO INDIVIDUAL UNIT PRINTS FOR PARTS AND DETAILS
- 4. FILTER AREA - 375 SQ. FT.
- 3. OPTIONAL INLET SIZES - 10", 11", OR 12" I.D.
- 2. TOTAL DUST STORAGE CAPACITY - 7.3 CU. FT. CYCLONE, 14.8 CU. FT. FILTER
- 1. CUSTOMER TO SUPPLY ONE (1) 55 GALLON DRUMS FOR DUST STORAGE

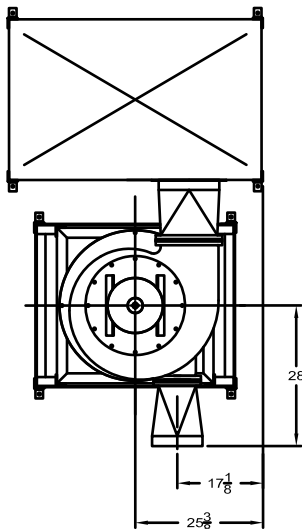
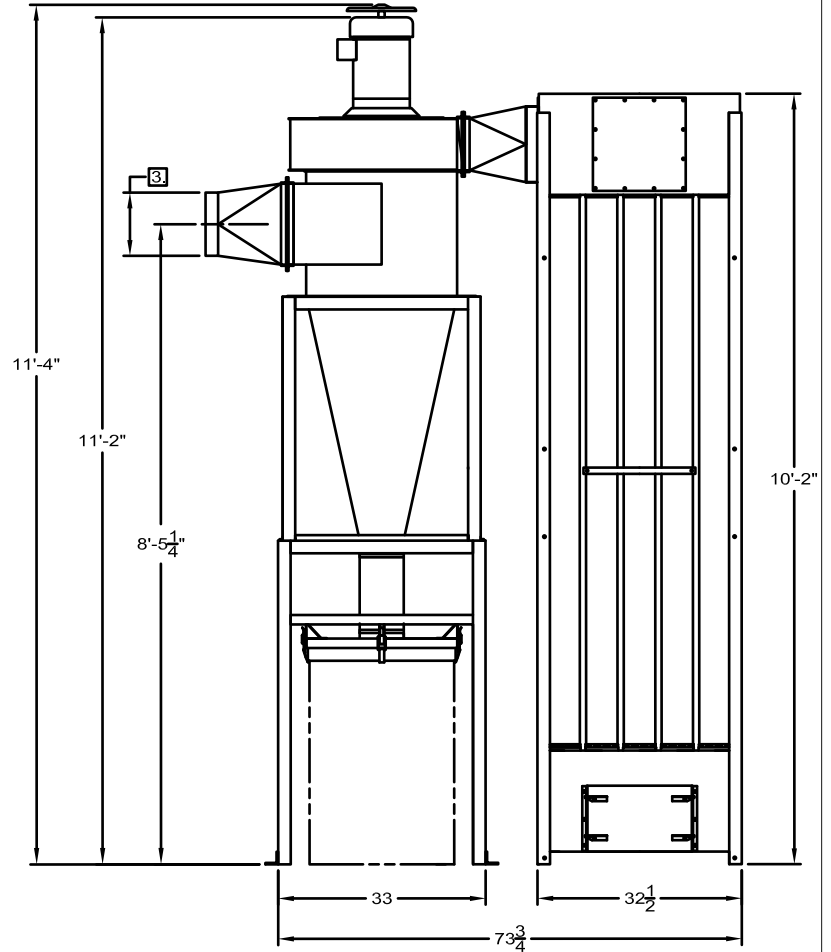
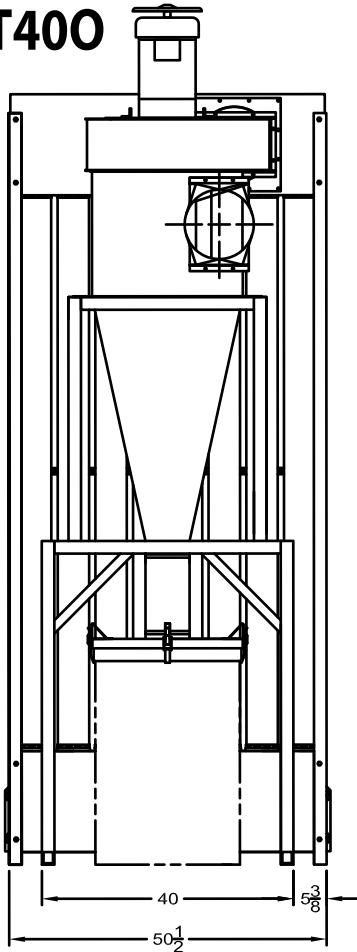
■ **NOTE** ■

**TECHNICAL
INFORMATION**

In the interest of continuing product improvement,
we reserve the right to change models,
specifications, and/or features without prejudice.

PROJECT: _____
 LOCATION: _____
 ARCHITECT: _____
 ENGINEER: _____
 CONTRACTOR: _____
 DATE: _____ SALES ENGINEER: _____

**MNX-30SN90
with FT400**



Model	Weights
MNX-30SN90	880 lbs
FT400	550 lbs

- 5. REFER TO INDIVIDUAL UNIT PRINTS FOR PARTS AND DETAILS
- 4. FILTER AREA - 383 SQ. FT.
- 3. OPTIONAL INLET SIZES - 10", 11", OR 12" I.D.
- 2. TOTAL DUST STORAGE CAPACITY - 7.3 CU. FT. CYCLONE, 14.8 CU. FT. FLITER
- 1. CUSTOMER TO SUPPLY ONE (1) 55 GALLON DRUMS FOR DUST STORAGE

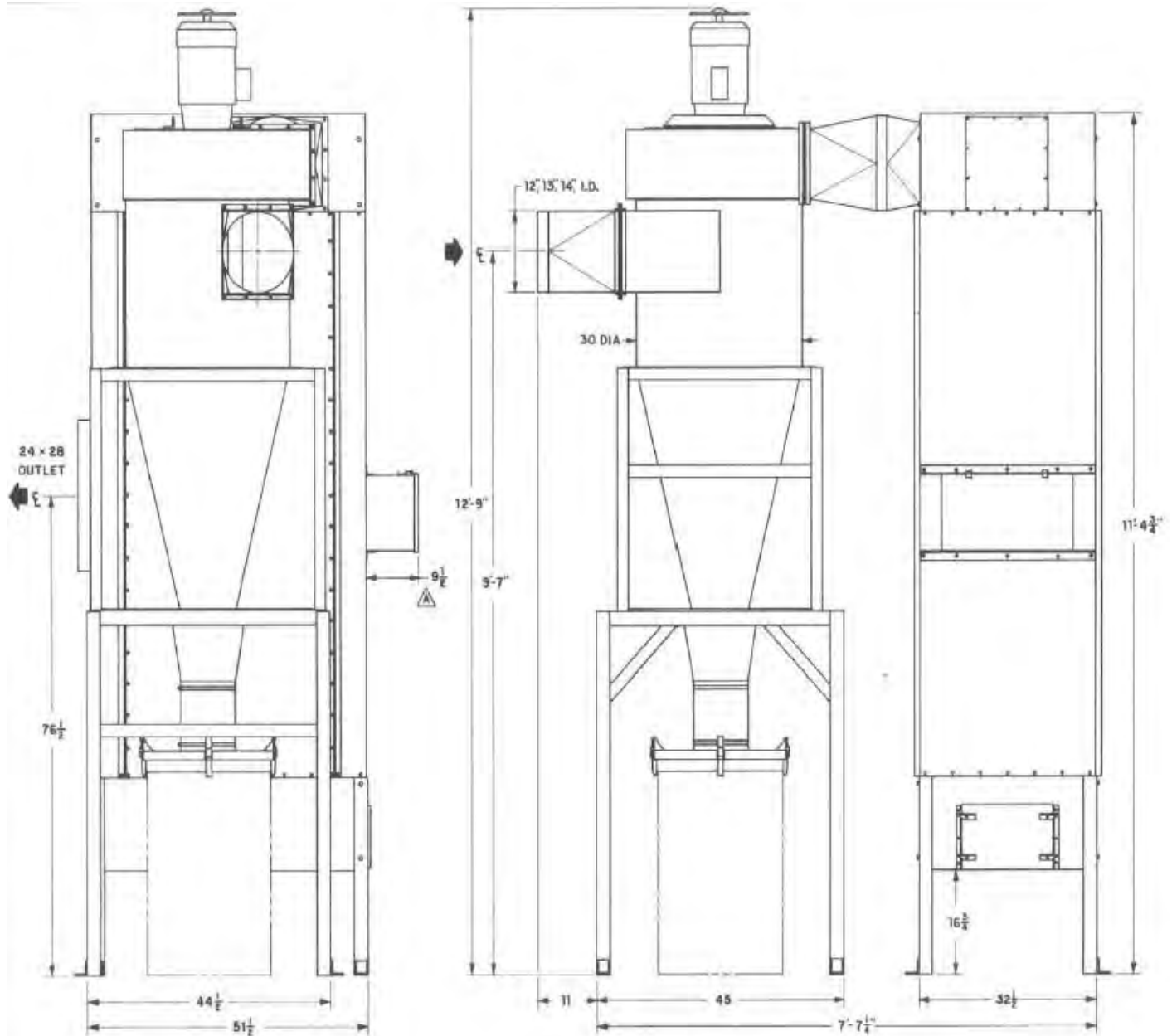
■ **NOTE** ■

**TECHNICAL
INFORMATION**

In the interest of continuing product improvement,
we reserve the right to change models,
specifications, and/or features without prejudice.

PROJECT: _____
 LOCATION: _____
 ARCHITECT: _____
 ENGINEER: _____
 CONTRACTOR: _____
 DATE: _____ SALES ENGINEER: _____

**MNX-60SN70
with FT64E**



COLLECTORS
FILTRATION

<u>Model</u>	<u>Weights</u>
MNX-60SN70	1075 lbs
FT64E	1370 lbs

3. REFER TO INDIVIDUAL UNIT PRINTS FOR PARTS AND DETAILS
2. FILTER AREA- 373 SQ. FT.
1. CUSTOMER TO SUPPLY ONE 55 GALLON DRUM FOR DUST STORAGE /DUST STORAGE CAPACITY- 7.3 CU. FT. CYCLONE, 14.8 CU. FT. FILTER

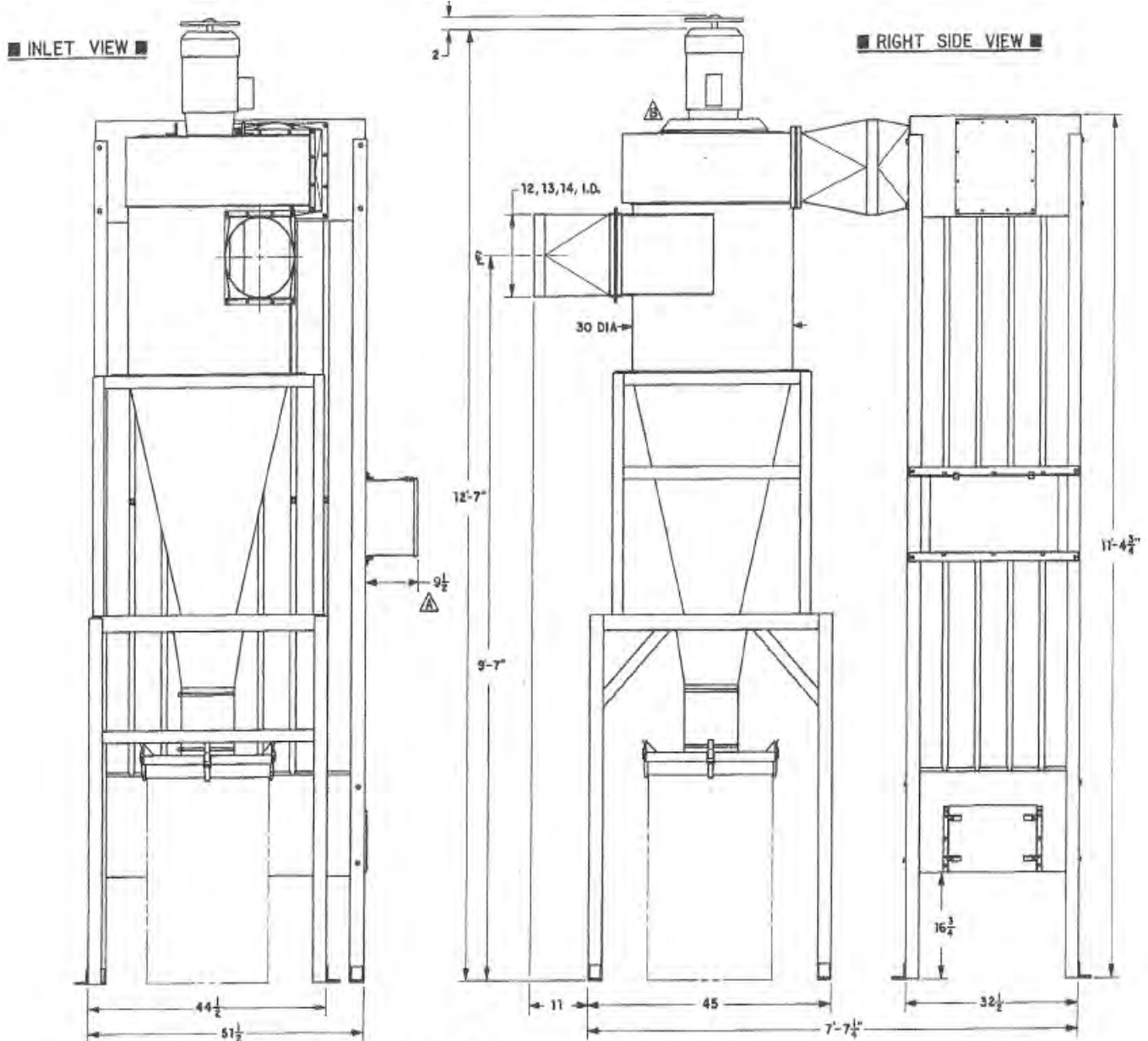
NOTE

**TECHNICAL
INFORMATION**

In the interest of continuing product improvement,
we reserve the right to change models,
specifications, and/or features without prejudice.

PROJECT: _____
 LOCATION: _____
 ARCHITECT: _____
 ENGINEER: _____
 CONTRACTOR: _____
 DATE: _____ SALES ENGINEER: _____

**MNX-60SN70
with FT640**



- 4. REFER TO INDIVIDUAL UNIT PRINTS FOR PARTS AND DETAILS
- 3. FILTER AREA - 383 SQ. FT.
- 2. DUST STORAGE CAPACITIES - 7.3 CU. FT. CYCLONE, 14.8 CU. FT. FILTER
- 1. CUSTOMER TO SUPPLY ONE 55 GALLON FOR DUST STORAGE

NOTE

Model	Weights
MNX-60SN70	1075 lbs
FT640	875 lbs



Cyclone Collector
 MNX-70SN70 with FT64E
 (After Filter Enclosure)

TECHNICAL INFORMATION

In the interest of continuing product improvement, we reserve the right to change models, specifications, and/or features without prejudice.

PROJECT: _____
 LOCATION: _____
 ARCHITECT: _____
 ENGINEER: _____
 CONTRACTOR: _____
 DATE: _____ SALES ENGINEER: _____

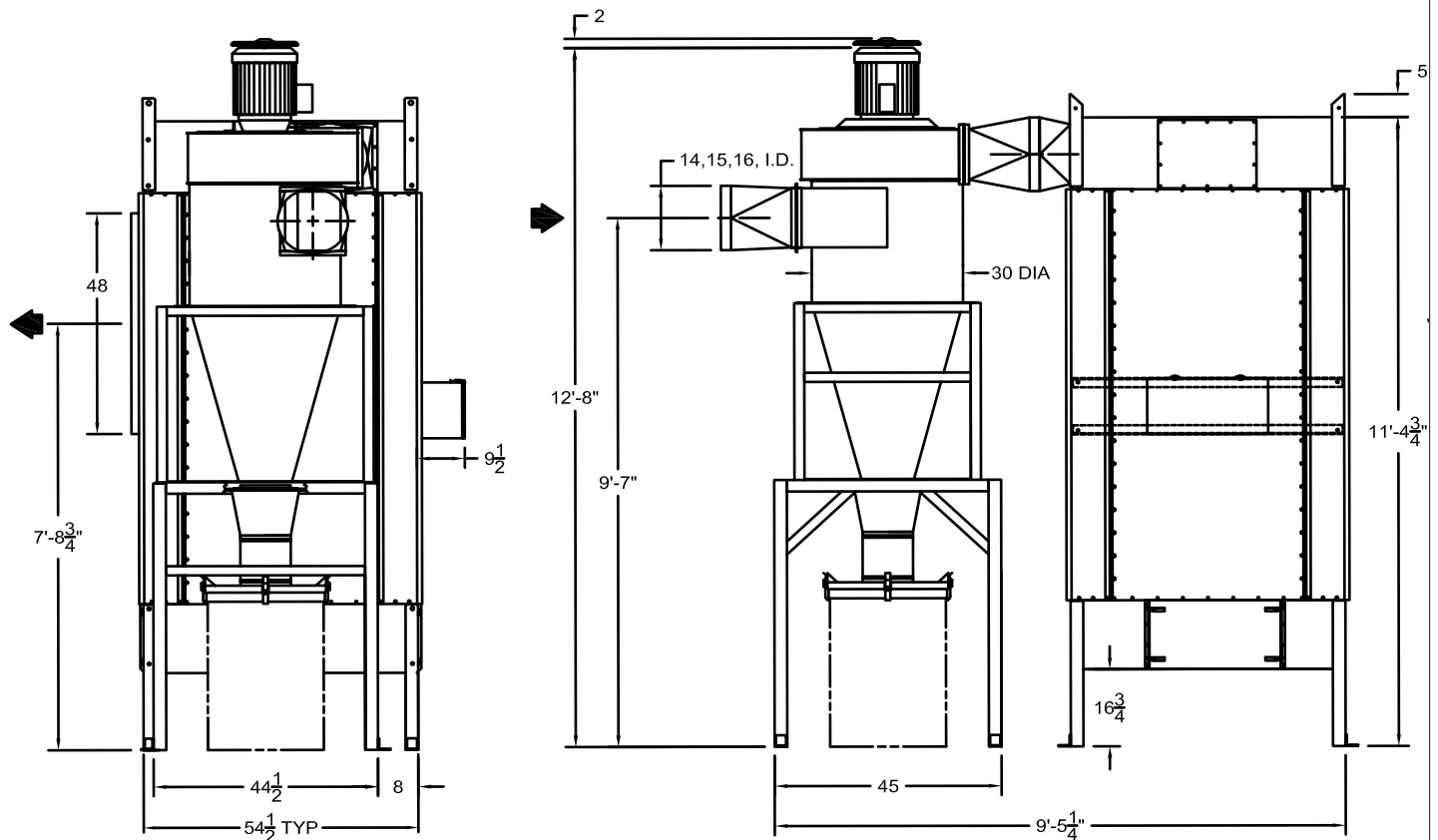
www.monoxivent.com

info@monoxivent.com

309-794-1000

Page: CF-74

MNX-70SN70 with FT64E



Model	Weights
MNX-70SN70	1125 lbs
FT64E	1370 lbs

- 4. REFER TO INDIVIDUAL UNIT PRINTS FOR PARTS AND DETAILS
- 3. FILTER AREA - 612 SQ. FT.
- 2. DUST STORAGE CAPACITIES - 7.3 CU. FT. CYCLONE, 25 CU. FT. FILTER
- 1. CUSTOMER TO SUPPLY 55 GALLON DRUM FOR DUST STORAGE

■ NOTE ■

**TECHNICAL
INFORMATION**

In the interest of continuing product improvement,
we reserve the right to change models,
specifications, and/or features without prejudice.

PROJECT: _____
LOCATION: _____
ARCHITECT: _____
ENGINEER: _____
CONTRACTOR: _____
DATE: _____ SALES ENGINEER: _____

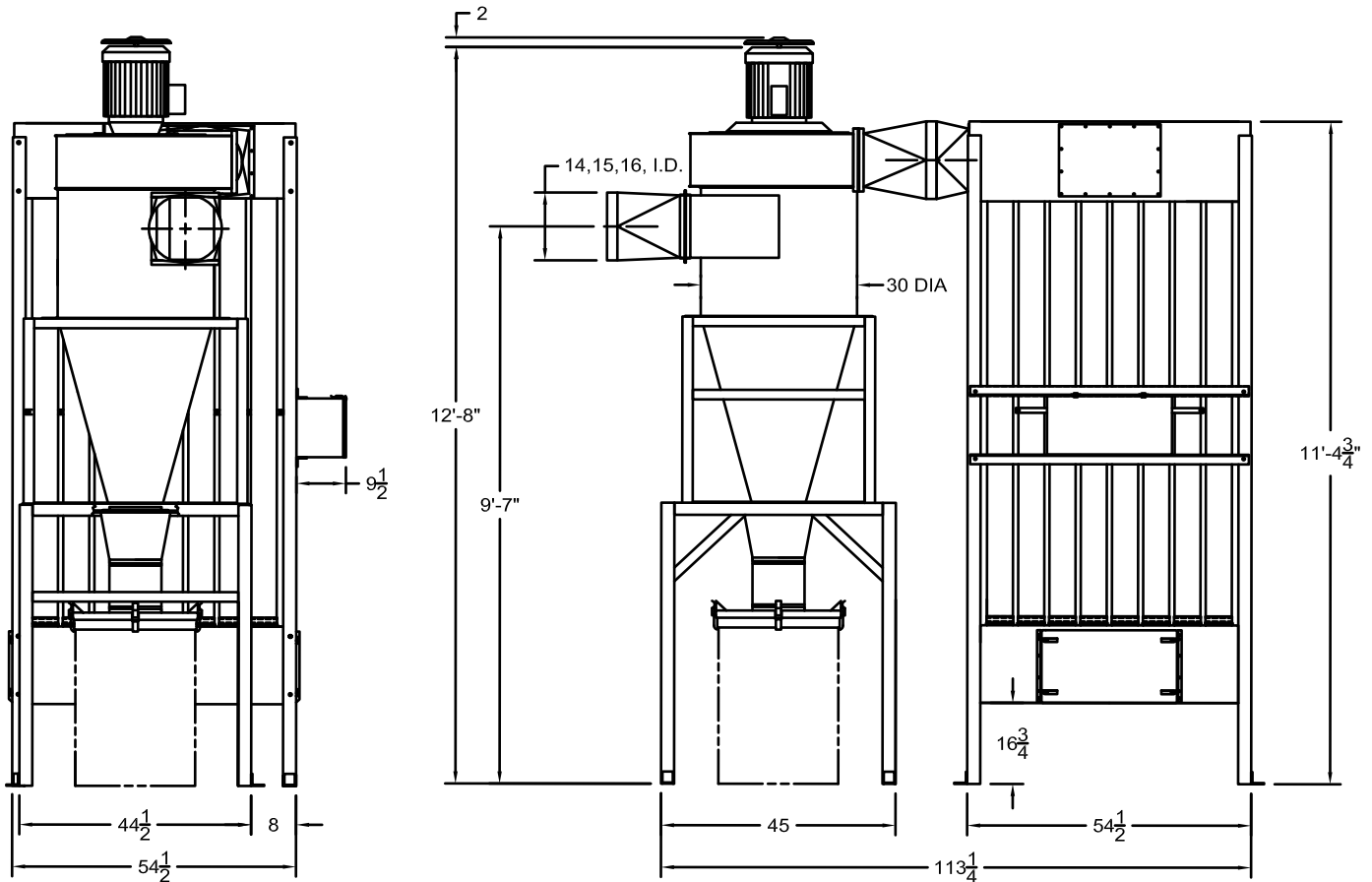
www.monoxivent.com

info@monoxivent.com

309-794-1000

Page: CF-75

**MNX-70SN70
with FT640**



<u>Model</u>	<u>Weights</u>
MNX-70SN70	1125 lbs
FT640	875 lbs

4. REFER TO INDIVIDUAL UNIT PRINTS FOR PARTS AND DETAILS
3. FILTER AREA - 612 SQ. FT.
2. DUST STORAGE CAPACITIES - 7.3 CU. FT. CYCLONE, 25 CU. FT. FILTER
1. CUSTOMER TO SUPPLY 5 GALLON DRUM FOR DUST STORAGE

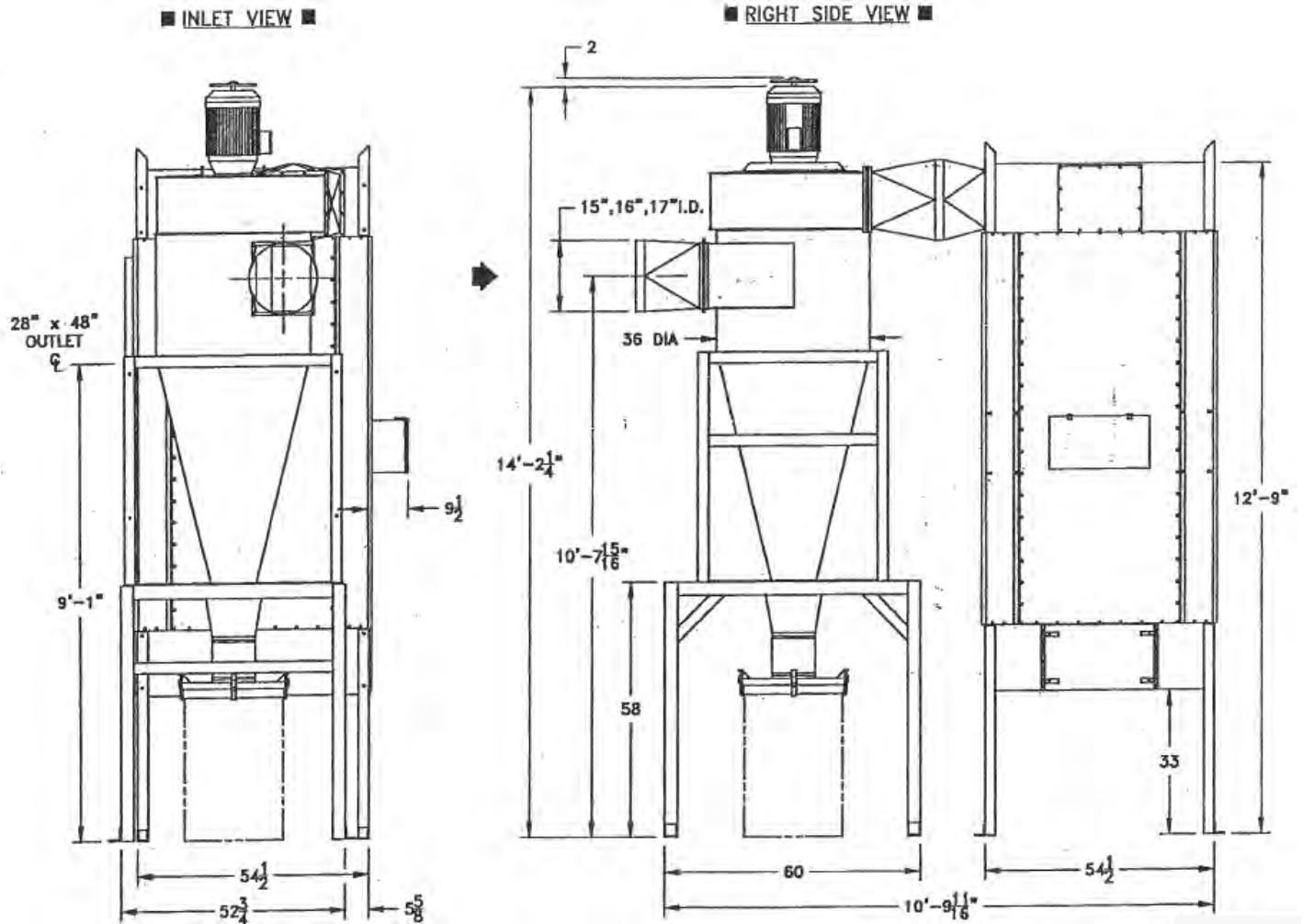
■ NOTE ■

**TECHNICAL
INFORMATION**

In the interest of continuing product improvement, we reserve the right to change models, specifications, and/or features without prejudice.

PROJECT: _____
 LOCATION: _____
 ARCHITECT: _____
 ENGINEER: _____
 CONTRACTOR: _____
 DATE: _____ SALES ENGINEER: _____

**MNX-80SN70
with FT64E**



4. REFER TO INDIVIDUAL UNIT PRINTS FOR PARTS AND DETAILS
3. FILTER AREA - 612 SQ. FT.
2. DUST STORAGE CAPACITIES - 7.3 CU. FT. (CYCLONE) AND 25 CU. FT. (FILTER)
1. CUSTOMER TO SUPPLY ONE (1) 55 GALLON DRUM FOR DUST STORAGE (7.3 CU. FT. STORAGE CAPACITY)

■ NOTE ■

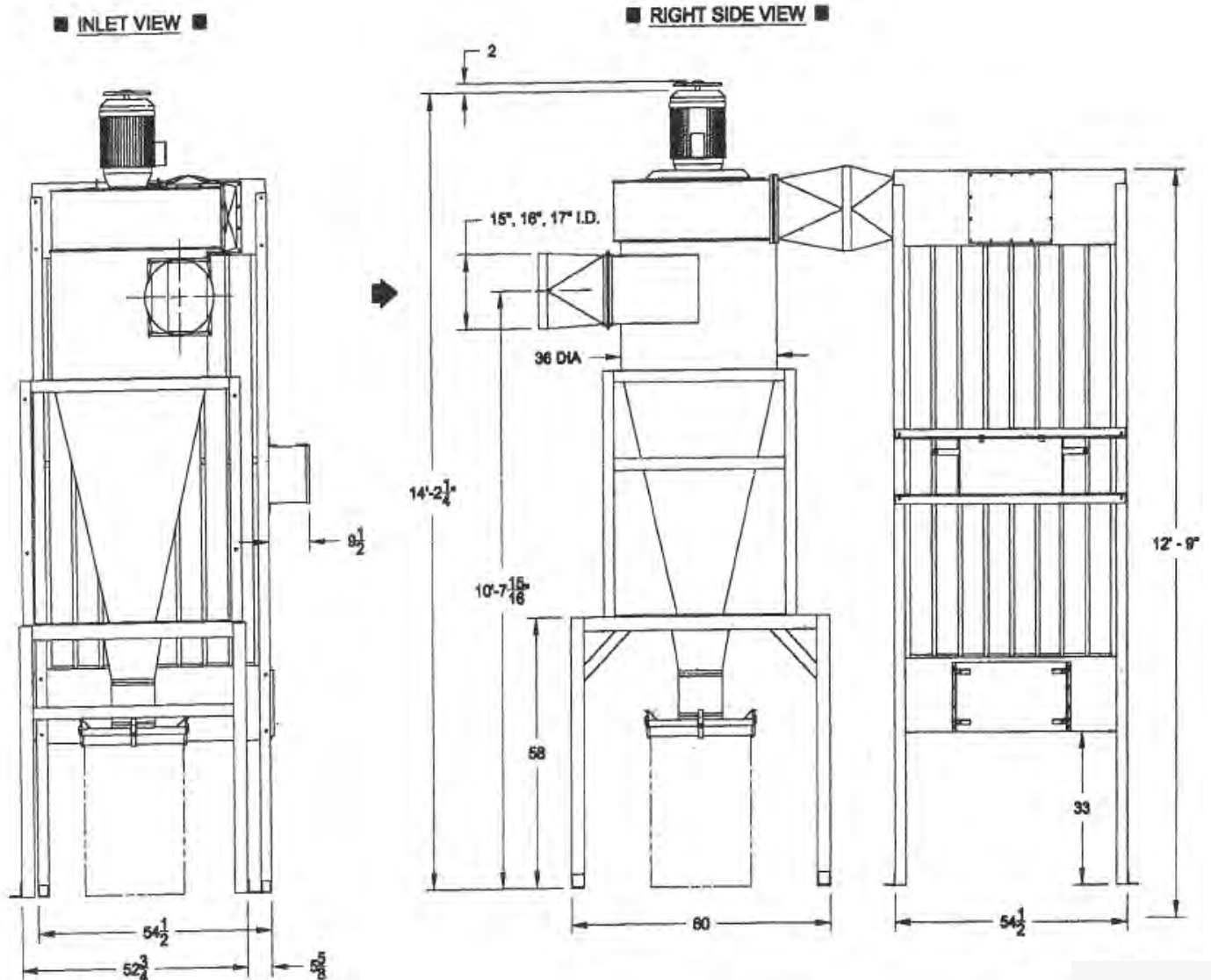
<u>Model</u>	<u>Weights</u>
MNX-80SN70	1635 lbs
FT64E	1370 lbs

**TECHNICAL
INFORMATION**

In the interest of continuing product improvement,
we reserve the right to change models,
specifications, and/or features without prejudice.

PROJECT: _____
 LOCATION: _____
 ARCHITECT: _____
 ENGINEER: _____
 CONTRACTOR: _____
 DATE: _____ SALES ENGINEER: _____

**MNX-80SN70
with FT640**



- 4. REFER TO INDIVIDUAL UNIT PRINTS FOR PARTS AND DETAILS
- 3. FILTER AREA - 612 SQ. FT.
- 2. DUST STORAGE CAPACITIES - 7.3 CU. FT. (CYCLONE) AND 25 CU. FT. (FILTER)
- 1. CUSTOMER TO SUPPLY ONE (1) 55 GALLON DRUM FOR DUST STORAGE (7.3 CU. FT. STORAGE CAPACITY)

■ NOTE ■

Model	Weights
MNX-80SN70	1635 lbs
FT640	875 lbs



10

Exhaust Fans

When selecting a D-Series or BI-Series fan:

- STEP 1 Determine if Radial Blade (D-Series) or Backward Incline (BI-Series) Fan is preferred
Determine Horsepower and Volt/Phase Requirements
Determine if Mounting Options are Necessary
- STEPS 2-5 Determine if any Options are Required (Platforms, Transition Inlet Connectors, Flexible Inlet Connectors, Flexible Outlet Discharge)

Tips:

Monoxivent's D Series fan is a direct drive, radial blade type blower. The housing and wheel are constructed of cast aluminum. The standard motor configuration is TEFC, however other motor options are available. Wall mount brackets are standard or the D Series may be configured to connect directly to a hose reel or welding arm.

Monoxivent's BI Series fans are AMCA certified. The belt drive utility blower meets today's demand for efficient and dependable ventilation. It is offered from 70 - 18,500 CFM. The fan has eight discharge positions. Clockwise or counter-clockwise rotation is available.

Note, a variety of accessories are available for the BI Series Blower, please consult factory for pricing.

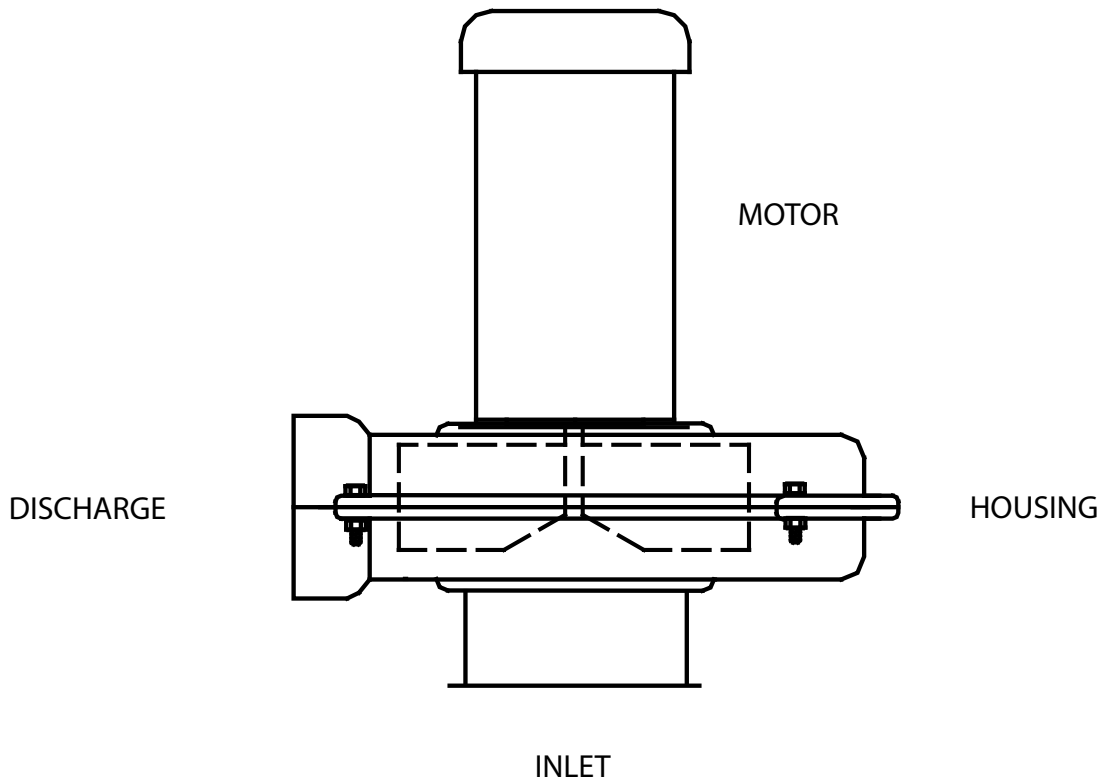
TECHNICAL INFORMATION

In the interest of continuing product improvement, we reserve the right to change models, specifications, and/or features without prejudice.

PROJECT: _____
LOCATION: _____
ARCHITECT: _____
ENGINEER: _____
CONTRACTOR: _____
DATE: _____ SALES ENGINEER: _____

DIRECT DRIVE BLOWERS - D-SERIES

The D Series Blower is a high-quality pressure style unit. The construction is Silumin (Silicon Aluminum Alloy) for the housing and the wheel. Standard Motors are Baldor with TEFC Enclosure. Standard Motors are UL UR Recognized as a component and CSA Certified in Canada. The D Series fans are not UL Listed or CSA Certified as an assembly. Motor specifications subject to change without notice. The D-Series Blower is made in the USA.



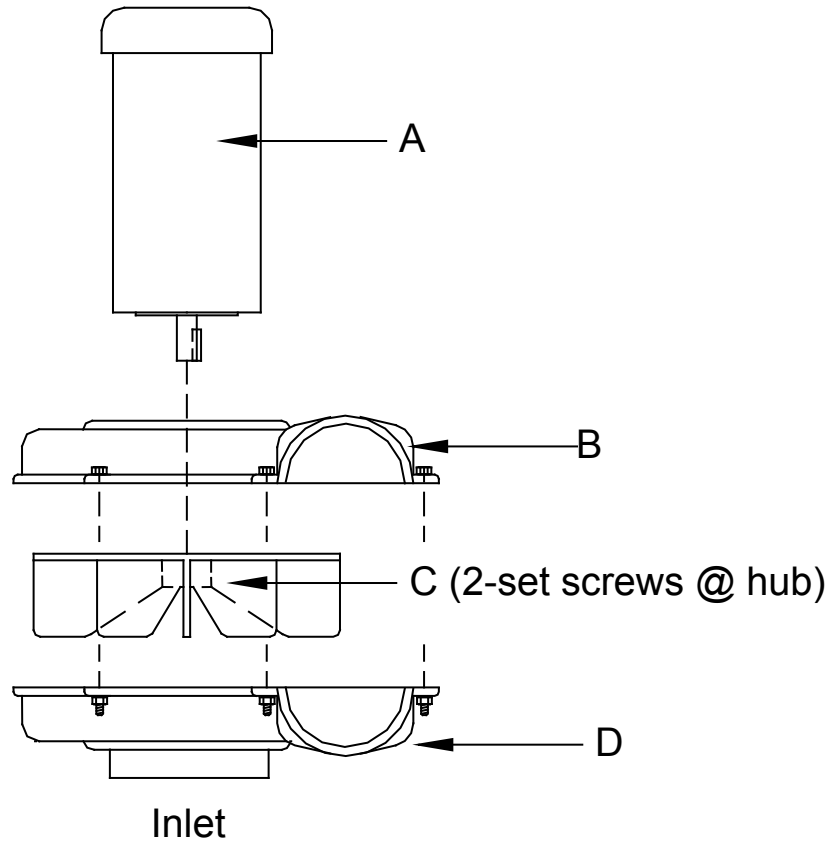
* Housings and wheels are available, less motors.

TECHNICAL INFORMATION

In the interest of continuing product improvement,
we reserve the right to change models,
specifications, and/or features without prejudice.

PROJECT: _____
LOCATION: _____
ARCHITECT: _____
ENGINEER: _____
CONTRACTOR: _____
DATE: _____ SALES ENGINEER: _____

D-SERIES BLOWER



- A** TEFC Motor - 3450 RPM - UL UR Recognized as a component and CSA Certified in Canada.
- B** Top Housing Constructed of Cast Silumin (Silicon Aluminum Alloy)
- C** Radial Wheel Constructed of Cast Silumin (Silicon Aluminum Alloy)
- D** Bottom Housing Constructed of Cast Silumin (Silicon Aluminum Alloy)

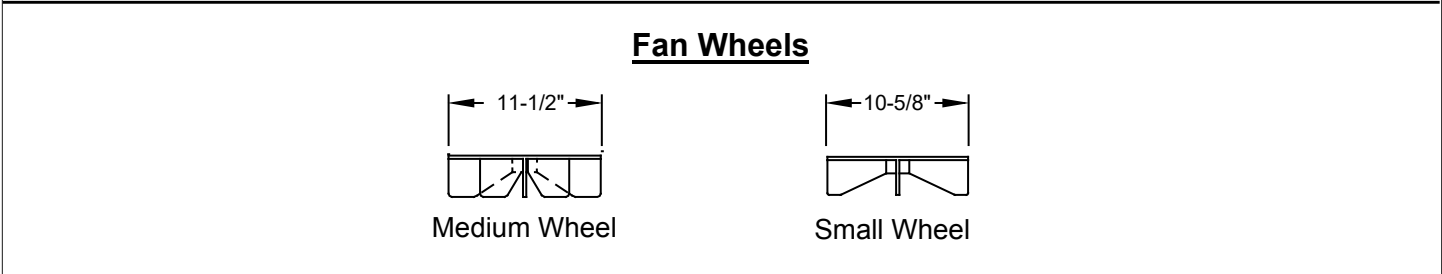
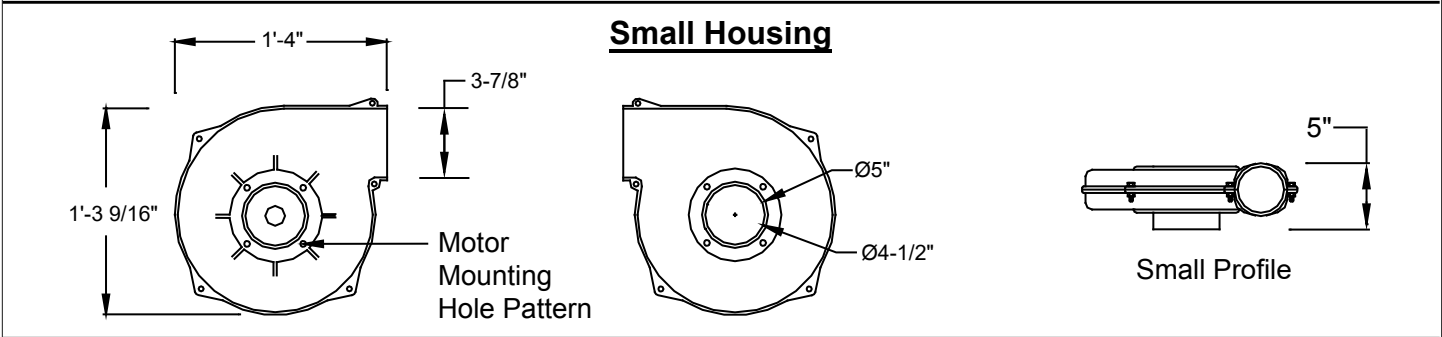
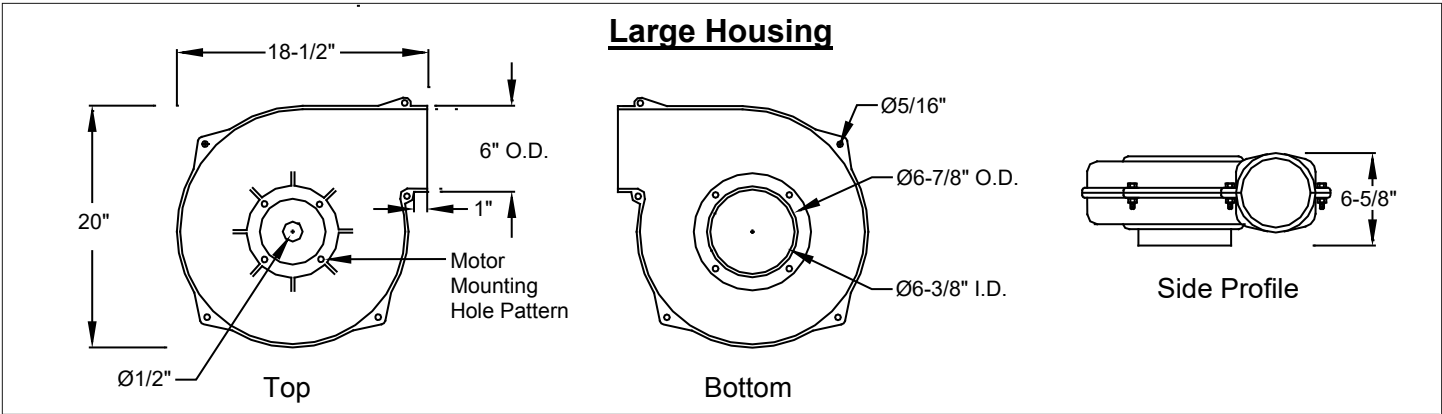
**The D Series Blower is a versatile exhauster, constructed of Silumin (Silicon Aluminum Alloy). The blower is available*

** The D Series Blower may be supplied with or without a mounting bracket. The blower shown (above) displays the motor, housing, and wheel only. (Housings and wheels are available, less motors). The D Series fans are not UL Listed or CSA Certified as an assembly. Motor specifications subject to change without notice.*

**TECHNICAL
INFORMATION**

In the interest of continuing product improvement,
we reserve the right to change models,
specifications, and/or features without prejudice.

PROJECT: _____
 LOCATION: _____
 ARCHITECT: _____
 ENGINEER: _____
 CONTRACTOR: _____
 DATE: _____ SALES ENGINEER: _____



Configurations

Electrical - FLA

Model	HP	Housing	Wheel	Weights	HP	Single Phase			Three Phase			
						115V	208V	230V	208V	230V	460V	575V
D075-SS	.75	Small	Small	75 lbs.	.75	9.6	6.1	4.8	3.1	2.6	1.3	.96
D10-SS	1.0	Small	Small	75 lbs.	1.0	11.8	6.1	5.9	3.0	2.8	1.4	1.1
D15-LS	2.0	Large	Small	75 lbs.	1.5	16.0	8.4	8.0	4.0	3.8	1.9	1.5
D20-LM	3.0	Large	Medium	80 lbs.	2.0	23.0	12.0	11.5	5.3	5.0	2.5	2.0
D30-LM	3.0	Large	Medium	80 lbs.	3.0	--	--	13	7.9	7.2	3.6	2.9



Direct Drive Fans
Blower Performance
D Series

TECHNICAL INFORMATION

In the interest of continuing product improvement,
we reserve the right to change models,
specifications, and/or features without prejudice.

PROJECT: _____
LOCATION: _____
ARCHITECT: _____
ENGINEER: _____
CONTRACTOR: _____
DATE: _____ SALES ENGINEER: _____

www.monoxivent.com

info@monoxivent.com

309-794-1000

Page: EF-4

BLOWER PERFORMANCE CFM RATINGS AT LISTED SP

Model	HP	1"	2"	3"	4"	5"	6"	7"	DBA at 5'
D075-SS	.75	475	430	365	300	240	---	---	85
D10-SS	1.0	578	510	387	323	282	205	---	83
D15-LS	2.0	1200	1150	1000	810	670	400	---	86
D20-LM	3.0	1280	1250	1200	1120	970	830	700	86
D30-LM	3.0	1350	1310	1270	1200	1050	865	735	86

* **Note:** Standard Motors are Baldor with TEFC Enclosure. Motor - 3450 RPM. Standard Motors are UL UR Recognized as a component and CSA Certified in Canada.

The D Series Fans are not UL Listed or CSA Certified as an assembly.

Motor specifications subject to change without notice.

The construction is Silumin (Silicon Aluminum Alloy) for the housing and the wheel.

--- = Unstable operation

**TECHNICAL
INFORMATION**

In the interest of continuing product improvement,
we reserve the right to change models,
specifications, and/or features without prejudice.

PROJECT: _____
 LOCATION: _____
 ARCHITECT: _____
 ENGINEER: _____
 CONTRACTOR: _____
 DATE: _____ SALES ENGINEER: _____

MOTOR OPERATED
HOSE REELS

www.monoxivent.com

info@monoxivent.com

309-794-1000

Page: EF-5

Wall/Column Mounted - D-Series

Bracket for mounting to wall or column.

Bracket is fabricated from 14ga mild steel and reinforced with 1"x1" square tube. The assembly is finished with a zinc plating.

The blower can be rotated 360 degrees in 90 degree increments. This allows for discharge for a variety of requirements.

The blower inlet can be supplied with a number of inlet fittings.



Models

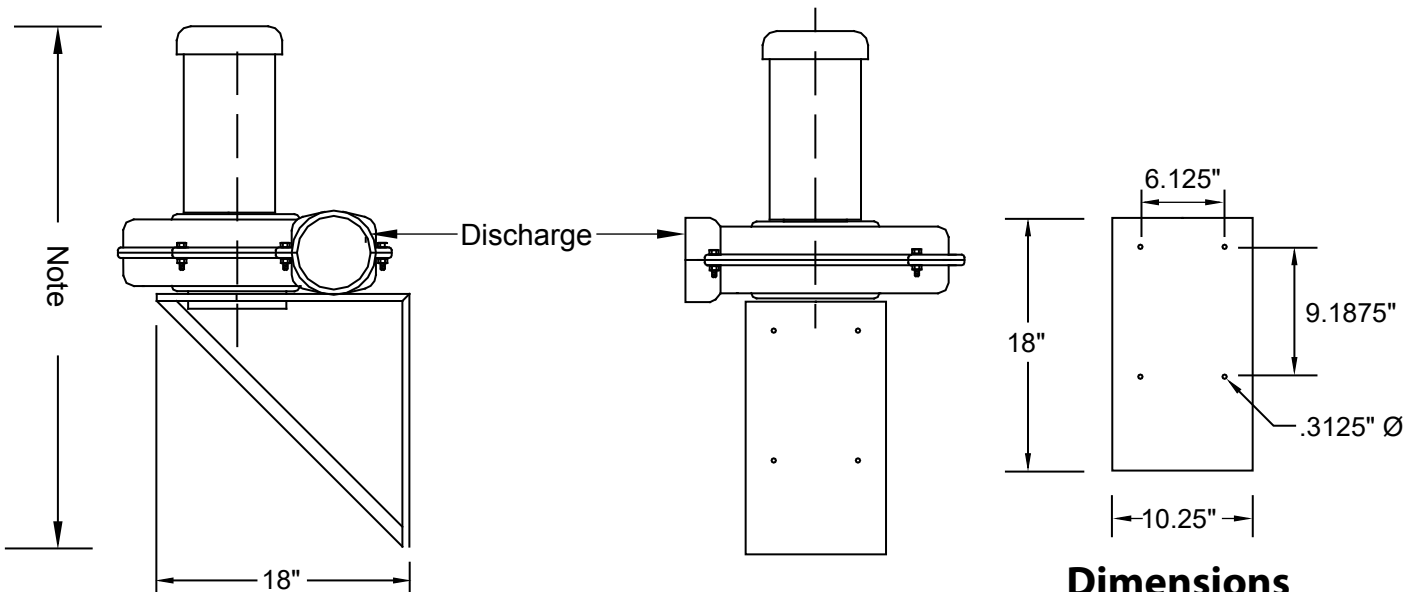
Single Phase

- D075-SS-1
- D10-SS-1
- D15-LS-1
- D20-LM-1
- D30-LM-1

Three Phase

- D075-SS-3
- D10-SS-3
- D15-LS-3
- D20-LM-3
- D30-LM-3

*The D Series fans are not UL Listed or CSA Certified as an assembly. Motor specifications subject to change without notice.



Side View

Back View

Dimensions



Direct Drive Pressure Blower,
With Foot Mount Base
Series D-FMB, 0.5 HP - 3 HP

TECHNICAL INFORMATION

In the interest of continuing product improvement, we reserve the right to change models, specifications, and/or features without prejudice.

PROJECT: _____
 LOCATION: _____
 ARCHITECT: _____
 ENGINEER: _____
 CONTRACTOR: _____
 DATE: _____ SALES ENGINEER: _____

www.monoxivent.com

info@monoxivent.com

309-794-1000

Page: EF-6

Foot Mounted Base - D-Series

Fan Mounted to foot mount base for hanging or universal mounting.

Base is fabricated from 11 ga. Hot Rolled Steel and has a powder coated finish.

The blower can be rotated 360 degrees in 90 degree increments. This allows for discharge for a variety of requirements.

The blower inlet can be supplied with a number of inlet fittings.



Models

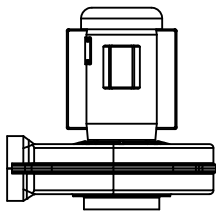
Single Phase

D075-SS-1-FMB
 D10-SS-1-FMB
 D15-LS-1-FMB
 D20-LM-1-FMB
 D30-LM-1-FMB

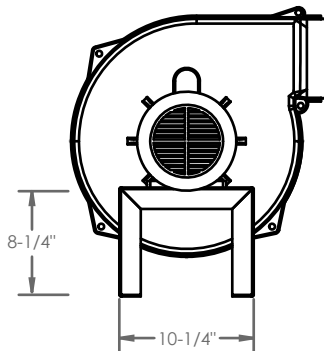
Three Phase

D075-SS-3-FMB
 D10-SS-3-FMB
 D15-LS-3-FMB
 D20-LM-3-FMB
 D30-LM-3-FMB

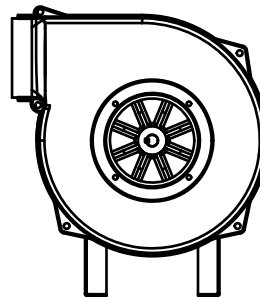
*The D Series fans are not UL Listed or CSA Certified as an assembly. Motor specifications subject to change without notice.



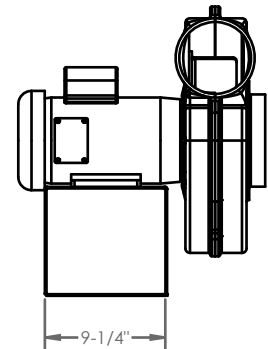
Top View



Motor Side



Outlet Side



Inlet Side

**TECHNICAL
INFORMATION**

In the interest of continuing product improvement, we reserve the right to change models, specifications, and/or features without prejudice.

PROJECT: _____
 LOCATION: _____
 ARCHITECT: _____
 ENGINEER: _____
 CONTRACTOR: _____
 DATE: _____ SALES ENGINEER: _____

Direct Mount to Hose Reel - D-Series

Blower mounted by flange directly to hose reel.

The blower can be rotated 360 degrees in 90 degree increments. This allows for discharge for a variety of requirements.

Motor support strapping is required for D15, D20 & D30 blowers. Field fabrication required.



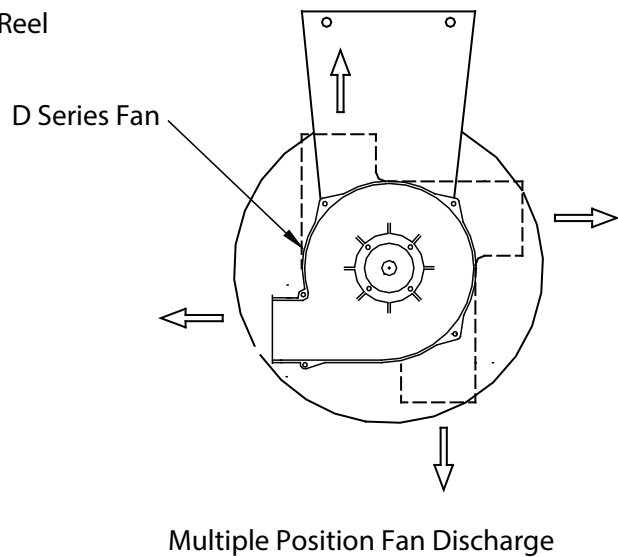
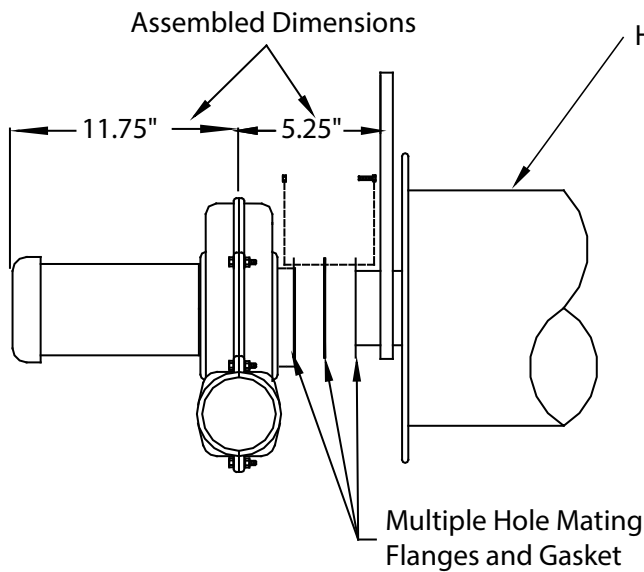
Models

Single Phase

Three Phase

- D075-SS-1-DMHR
- D10-SS-1-DMHR
- D15-LS-1-DMHR
- D20-LM-1-DMHR
- D30-LM-1-DMHR

- D075-SS-3-DMHR
- D10-SS-3-DMHR
- D15-LS-3-DMHR
- D20-LM-3-DMHR
- D30-LM-3-DMHR



**TECHNICAL
INFORMATION**

In the interest of continuing product improvement, we reserve the right to change models, specifications, and/or features without prejudice.

PROJECT: _____
 LOCATION: _____
 ARCHITECT: _____
 ENGINEER: _____
 CONTRACTOR: _____
 DATE: _____ SALES ENGINEER: _____

Direct Mount to Arm - D-Series

Blower mounted to arm wall bracket.

The blower can be rotated 360 degrees in 90 degree increments. This allows for discharge for a variety of requirements.

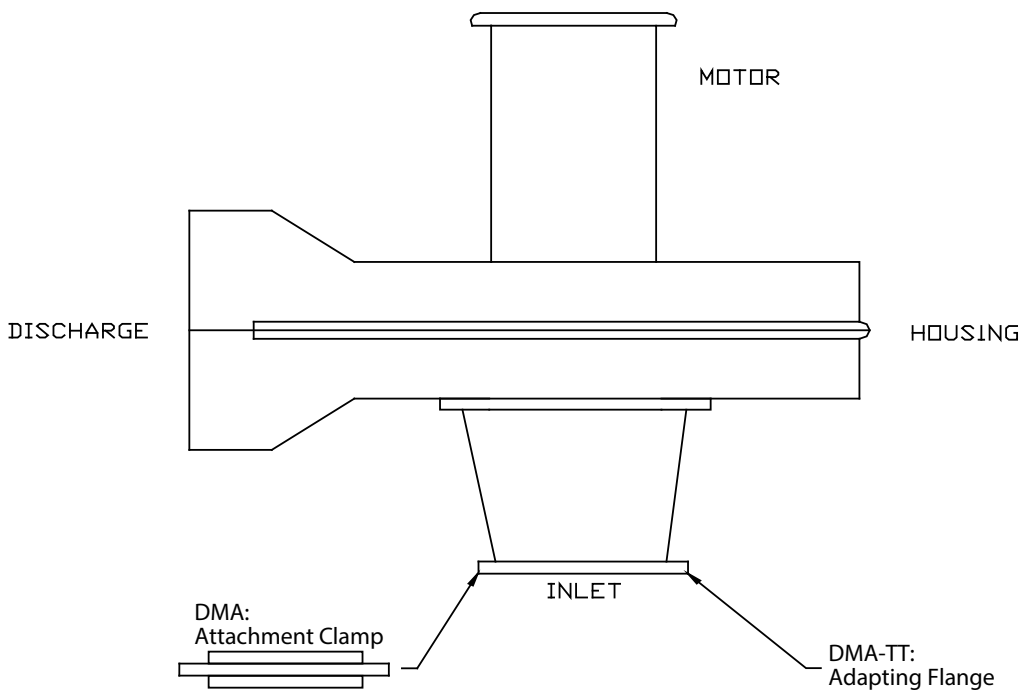


Internal Support Models

<u>Single Phase</u>	<u>Three Phase</u>
D075-SS-1-DMA	D075-SS-3-DMA
D10-SS-1-DMA	D10-SS-3-DMA
D15-LS-1-DMA	D15-LS-3-DMA
D20-LM-1-DMA	D20-LM-3-DMA
D30-LM-1-DMA	D30-LM-3-DMA

Tube Type Models

<u>Single Phase</u>	<u>Three Phase</u>
D075-SS-1-DMA	D075-SS-3-DMA
D10-SS-1-DMA	D10-SS-3-DMA
D15-LS-1-DMA	D15-LS-3-DMA
D20-LM-1-DMA	D20-LM-3-DMA
D30-LM-1-DMA	D30-LM-3-DMA





Belt Drive Backward
Incline Fans

TECHNICAL INFORMATION

In the interest of continuing product improvement,
we reserve the right to change models,
specifications, and/or features without prejudice.

PROJECT: _____
LOCATION: _____
ARCHITECT: _____
ENGINEER: _____
CONTRACTOR: _____
DATE: _____ SALES ENGINEER: _____

www.monoxivent.com

info@monoxivent.com

309-794-1000

Page: *EF-9*

BELT DRIVE BACKWARD INCLINE FANS • SERIES - BI



(Shown With Optional Weather Cover)



Belt Drive Backward
Incline Fans

TECHNICAL INFORMATION

In the interest of continuing product improvement,
we reserve the right to change models,
specifications, and/or features without prejudice.

PROJECT: _____
 LOCATION: _____
 ARCHITECT: _____
 ENGINEER: _____
 CONTRACTOR: _____
 DATE: _____ SALES ENGINEER: _____

www.monoxivent.com

info@monoxivent.com

309-794-1000

Page: EF-10

BELT DRIVE BACKWARD INCLINE FANS • SERIES - BI

The Series BI belt drive utility blower meets today's demand for efficient and dependable ventilation. The use of modern high strength steels insures strength and durability with a considerable savings in weight.

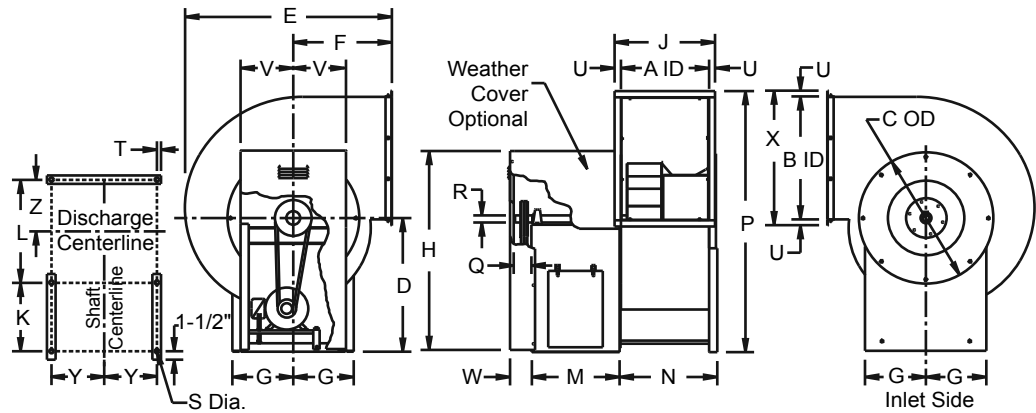
- Construction:** The scroll wrapper shall be (minimum) 14-gauge steel and the scroll sides shall be (minimum) 12-gauge steel. The entire fan shall have continuously welded seams. Fans bear the AMCA certified ratings seal for air performance.
- Paint Finish:** Baked polyester powder coating - standard
- S.P. Range:** 0 - 5.5" Standard (higher available)
- Wheel:** Backward incline non-overloading - steel standard, aluminum optional
- Class:** Blower Class I Standard (Class II available)
- Bearings:** Heavy Duty Re-Greaseable Ball Type - Rated for 200,000 Hours
- Drive:** V Belt With Adjustable Base & Variable Pitch Motor Pulley
- Cover:** Cover is Standard and Offers Both Weather and Drive Guard Requirements
- Discharge:** Eight Different Discharge Positions - Top Horizontal Discharge is standard. Clockwise or counter-clockwise rotation is available.
- Motors:** ODP Multi-Voltage Standard - TEFC Optional
- Standard Coating:** Baked polyester powder coating, electrostatically applied
- Optional Coatings:** Epoxy Powder, Phenolic Epoxy Powder, Easy Clean Powder, Air Dry Phenolic

* Other options available

**TECHNICAL
INFORMATION**

In the interest of continuing product improvement,
we reserve the right to change models,
specifications, and/or features without prejudice.

PROJECT: _____
LOCATION: _____
ARCHITECT: _____
ENGINEER: _____
CONTRACTOR: _____
DATE: _____ SALES ENGINEER: _____



Dimension Data

Size	A	B	C	D	E	F	G	H	J	K	L	M	N
60	7-9/16	10-15/16	14-1/8	18	22-1/4	12-3/4	9-3/8	25-1/4	10-11/16	10	10-1/4	13-1/8	9-3/8
70	7-9/16	10-15/16	14-1/8	18	22-1/4	12-3/4	9-3/8	25-1/4	10-11/16	10	10-1/4	13-1/8	9-3/8
80	7-9/16	10-15/16	14-1/8	18	22-1/4	12-3/4	9-3/8	25-1/4	10-11/16	10	10-1/4	13-1/8	9-3/8
100	7-9/16	10-15/16	14-1/8	18	22-1/4	12-3/4	9-3/8	25-1/4	10-11/16	10	10-1/4	13-1/8	9-3/8
120	9-3/16	13-1/8	16-1/8	18	24-13/16	13-3/8	9-3/8	26-1/4	12-5/16	10	11-7/8	13-1/8	11
135	10-5/16	14-3/4	17-5/8	18	26-11/16	13-7/8	9-3/8	27	13-7/16	12	13	15-1/8	12-1/8
150	11-7/16	16-7/16	19-1/8	19-1/16	29-9/16	15-5/16	9-3/8	29-1/16	14-9/16	12	14-1/8	15-1/8	13-1/4
165	12-5/8	18-1/16	21-3/16	20-7/16	32-1/16	16-3/8	9-3/8	31-7/16	15-3/4	12	15-5/16	15-1/8	14-7/16
180	13-3/4	19-11/16	22-1/16	22-1/16	34-3/4	17-5/8	10-3/8	33-9/16	16-7/8	12	16-7/16	15-1/8	15-5/8
195	14-15/16	21-5/16	24-3/16	23-11/16	36-5/16	17-13/16	10-3/8	35-11/16	18-1/16	15	17-11/16	18-1/8	16-13/16
210	16-1/16	23	25-15/16	25-3/8	39-15/16	20	11-3/8	38-7/8	19-3/16	15	18-13/16	18-1/8	17-15/16
225	17-3/16	24-5/8	27-7/16	27	42	20-5/8	11-7/8	41	20-5/16	15	20	18-1/8	19-1/8
245	18-3/4	26-13/16	29-7/16	29-5/8	45-1/16	21-3/4	13-3/8	44-5/8	22-7/8	15	21-3/4	18-1/8	21-1/8
270	20-5/8	29-9/16	31-15/16	32-3/8	49-1/16	23-3/8	14-3/8	48-7/8	24-3/4	18	23-5/8	21-1/8	23
300	22-15/16	32-13/16	34-15/16	35-5/8	54-3/8	25-7/8	15-5/16	53-5/8	27-1/16	18	26	21-3/16	25-15/16
330	25-1/4	36-1/8	37-15/16	38-7/8	59-13/16	28-7/16	16-13/16	58-3/8	29-3/8	18	28-3/8	21-3/16	27-11/16
365	27-7/8	39-15/16	41-7/16	42-3/4	66-1/8	31-7/16	17-13/16	64-1/4	32	21	30-15/16	24-3/16	30-1/4
402	30-3/4	44-1/16	45-3/16	46-3/4	72-15/16	34-11/16	19-13/16	70-1/4	35	21	34-5/16	24-3/16	34-1/8
445	34	48-11/16	49-7/16	51-3/8	80-9/16	38-5/16	21-13/16	76-7/8	38-1/4	25	37-9/16	28-3/16	37-3/8
490	37-7/16	53-5/8	55	56-1/4	88-3/4	42-3/16	23-13/16	84-1/4	41-11/16	25	41-3/8	28-3/16	41-3/16

Size	P	Q	R	S	T	U	V	W	X	Y	Z	*Max. Motor Frame	Ship Wt.
60	30-3/8	3	1	9/16	3/4	1-1/2	8-1/16	4-1/16	14-1/16	8-5/8	4-11/16	145T	173
70	30-3/8	3	1	9/16	3/4	1-1/2	8-1/16	4-1/16	14-1/16	8-5/8	4-11/16	145T	173
80	30-3/8	3	1	9/16	3/4	1-1/2	8-1/16	4-1/16	14-1/16	8-5/8	4-11/16	145T	173
100	30-3/8	3	1	9/16	3/4	1-1/2	8-1/16	4-1/16	14-1/16	8-5/8	4-11/16	145T	173
120	32-9/16	3	1	9/16	3/4	1-1/2	8-1/16	4-1/16	16-1/4	8-5/8	5-1/2	184T	221
135	34-3/16	3	1	9/16	3/4	1-1/2	8-1/16	4-1/16	17-7/8	8-5/8	6-1/16	184T	255
150	37-1/8	3	1	9/16	3/4	1-1/2	8-1/16	4-1/16	19-9/16	8-5/8	6-5/8	184T	291
165	39-7/8	3	1	9/16	3/4	1-1/2	8-1/16	4-1/16	21-3/16	8-5/8	7-1/4	184T	334
180	43-1/8	3	1-3/16	9/16	3/4	1-1/2	9-1/16	4-1/16	22-13/16	9-5/8	7-13/16	215T	396
195	46-3/8	3	1-3/16	9/16	3/4	1-1/2	9-1/16	4-1/16	24-7/16	9-5/8	8-3/8	215T	440
210	49-3/4	4	1-7/16	9/16	3/4	1-1/2	10-1/16	5-1/16	26-1/8	10-5/8	9	215T	490
225	53	4	1-7/16	9/16	3/4	1-1/2	10-9/16	5-1/16	27-3/4	11-1/8	9-9/16	215T	537
245	58-1/4	4	1-11/16	11/16	1	2	11-9/16	5-1/16	30-15/16	12-3/8	10-9/16	215T	608
270	63-3/4	4	1-11/16	11/16	1	2	12-9/16	5-1/16	33-11/16	13-3/8	11-1/2	256T	722
300	71-1/4	4	1-15/16	11/16	1	2	13-9/16	5-1/16	36-15/16	14-5/16	13	256T	879
330	76-3/4	4	1-15/16	13/16	1	2	15-1/16	5-1/16	40-1/4	15-13/16	13-7/8	256T	1035
365	84-1/2	5	2-3/16	13/16	1	2	16-1/16	6-1/16	44-1/16	16-13/16	15-1/8	324T	1230
402	92-1/2	5	2-3/16	13/16	1	2	18-1/16	6-1/16	48-1/4	18-13/16	17-1/16	324T	1519
445	101-3/4	5	2-7/16	13/16	1	2	20-1/16	6-1/16	52-7/8	20-13/16	18-11/16	326T	1938
490	111-1/2	5	2-7/16	13/16	1	2	22-1/16	6-1/16	57-13/16	22-13/16	20-5/8	326T	2319

All dimensions in inches. Weight in lbs., less motor. * Based on open drip proof, single speed. For other discharge dimensions, please consult page 18, Compute-A-Fan, an authorized representative of the factory.

Note: Inlet dimension is C (OD); Outlet dimension is JxX (OD), AxB (ID)

**TECHNICAL
INFORMATION**

In the interest of continuing product improvement,
we reserve the right to change models,
specifications, and/or features without prejudice.

PROJECT: _____
 LOCATION: _____
 ARCHITECT: _____
 ENGINEER: _____
 CONTRACTOR: _____
 DATE: _____ SALES ENGINEER: _____

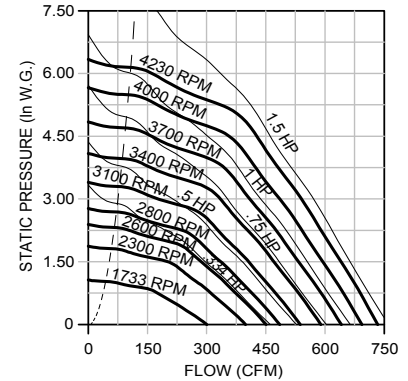
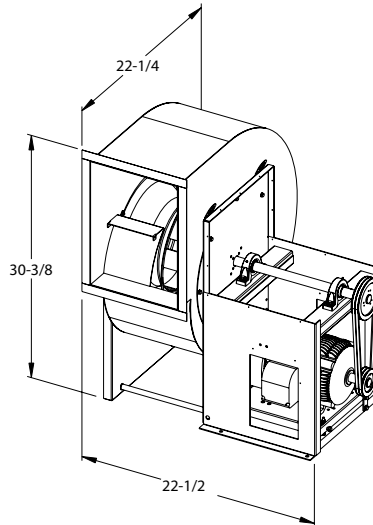
www.monoxivent.com

info@monoxivent.com

309-794-1000

Page: EF-12

- Wheel Diameter - 10"
- Wheel Type - Flatblade
- Tip Speed (FPM) = 2.62 x RPM
- Max. BHP = .018 x (RPM/1000)³
- Inlet Area - .61 Sq. Ft.
- Outlet Area - .57 Sq. Ft.
- Outlet Velocity (FPM) = CFM/.57
- Max. Mtr. Frame Size - 145T, Arr. 10
- Approx. Shipping Weight
BI-60 - 173 lbs.



Do not select to left of dotted curve.

CFM	OV	1.000 SP		1.250 SP		1.500 SP		1.750 SP		2.000 SP		2.500 SP		3.000 SP		3.500 SP		4.000 SP		4.500 SP		5.000 SP	
		RPM	BHP	RPM	BHP	RPM	BHP	RPM	BHP	RPM	BHP	RPM	BHP	RPM	BHP	RPM	BHP	RPM	BHP	RPM	BHP	RPM	BHP
70	121	1733	.08																				
100	174	1785	.09	1976	.12	2148	.15	2306	.18	2453	.22												
130	226	1825	.10	2022	.13	2198	.17	2358	.20	2506	.24	2775	.32	3017	.41	3241	.50						
160	278	1867	.11	2058	.15	2236	.18	2400	.22	2551	.26	2825	.35	3070	.44	3295	.54	3502	.65	3697	.75	3881	.86
190	330	1950	.13	2111	.17	2276	.20	2437	.24	2588	.29	2867	.37	3117	.47	3344	.58	3554	.69	3751	.81	3936	.93
220	383	2069	.16	2208	.19	2346	.23	2487	.27	2629	.31	2903	.41	3155	.51	3386	.61	3600	.73	3799	.85	3986	.98
250	435	2190	.19	2330	.23	2455	.27	2574	.30	2696	.35	2946	.44	3192	.55	3423	.66	3638	.77	3840	.90	4030	1.02
280	487	2308	.22	2450	.27	2577	.31	2692	.35	2800	.39	3016	.49	3239	.59	3461	.71	3674	.83	3877	.95	4068	1.08
310	539	2433	.26	2568	.31	2697	.36	2815	.40	2922	.45	3119	.54	3314	.65	3514	.76	3716	.88	3914	1.02	4104	1.15
340	591	2567	.31	2692	.35	2815	.40	2933	.46	3043	.51	3239	.61	3418	.72	3595	.83	3777	.95	3961	1.08	4145	1.22
370	644	2708	.36	2824	.41	2939	.46	3051	.51	3161	.57	3362	.69	3538	.80	3703	.91	3865	1.03	4030	1.16	4199	1.30
400	696	2852	.42	2963	.47	3070	.52	3176	.58	3280	.64	3481	.76	3661	.89	3823	1.01	3976	1.13	4125	1.25		
430	748	2996	.49	3106	.54	3208	.60	3306	.65	3405	.71	3599	.84	3781	.98	3946	1.11	4097	1.24				
460	800	3141	.56	3249	.62	3349	.68	3444	.74	3536	.80	3720	.93	3898	1.07	4066	1.22	4220	1.36				
490	853	3288	.65	3394	.71	3493	.77	3585	.83	3674	.89	3846	1.03	4018	1.17	4184	1.33						
520	905	3437	.74	3540	.81	3637	.87	3728	.93	3815	1.00	3980	1.14	4142	1.29								
550	957	3588	.85	3687	.91	3783	.98	3872	1.05	3957	1.12	4117	1.26										
580	1009	3741	.96	3836	1.03	3929	1.10	4017	1.17	4101	1.25												
610	1061	3895	1.09	3987	1.16	4076	1.24	4163	1.31														
640	1114	4053	1.22	4139	1.30	4225	1.38																

Performance certified is for installation type B: Free inlet, Ducted outlet. Power rating (BHP) does not include transmission losses. Performance ratings do not include the effects of appurtenances (accessories).

TECHNICAL INFORMATION

In the interest of continuing product improvement,
we reserve the right to change models,
specifications, and/or features without prejudice.

PROJECT: _____
LOCATION: _____
ARCHITECT: _____
ENGINEER: _____
CONTRACTOR: _____
DATE: _____ SALES ENGINEER: _____

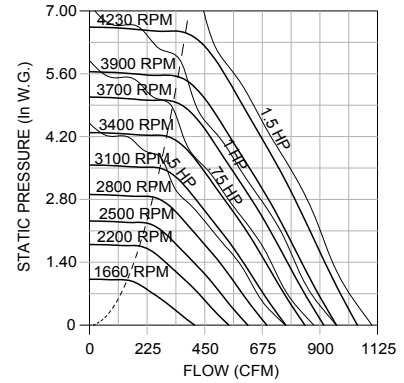
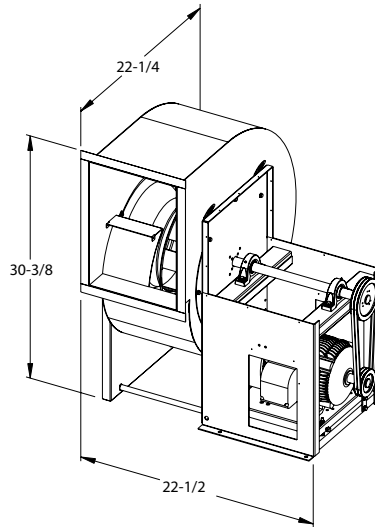
www.monoxivent.com

info@monoxivent.com

309-794-1000

Page: EF-13

Wheel Diameter - 10"
Wheel Type - Flatblade
Tip Speed (FPM) = 2.62 x RPM
Max. BHP = .019 x (RPM/1000)³
Inlet Area - 1.12 Sq. Ft.
Outlet Area - .57 Sq. Ft.
Outlet Velocity (FPM) = CFM/.57
Max. Mtr. Frame Size - 145T, Arr. 3
Approx. Shipping Weight
BI-70 - 173 lbs.



CFM	OV	1.000 SP		1.250 SP		1.500 SP		1.750 SP		2.000 SP		2.500 SP		3.000 SP		3.500 SP		4.000 SP		4.500 SP		5.000 SP	
		RPM	BHP	RPM	BHP	RPM	BHP	RPM	BHP	RPM	BHP	RPM	BHP	RPM	BHP	RPM	BHP	RPM	BHP	RPM	BHP	RPM	BHP
150	261	1660	.07																				
200	348	1735	.10	1895	.12	2048	.14	2197	.17														
250	435	1857	.12	2001	.15	2136	.18	2266	.22	2392	.24	2635	.30										
300	522	1991	.14	2131	.18	2259	.21	2378	.25	2492	.29	2710	.37	2920	.44	3122	.50	3319	.57				
350	609	2130	.18	2266	.21	2391	.25	2508	.29	2617	.33	2821	.42	3013	.52	3198	.60	3377	.68	3552	.75	3723	.83
400	696	2276	.21	2406	.26	2528	.30	2643	.34	2750	.38	2949	.47	3132	.57	3305	.68	3470	.79	3632	.89	3789	.97
450	783	2432	.26	2553	.30	2670	.35	2781	.39	2887	.44	3082	.54	3262	.64	3429	.75	3587	.86	3739	.99	3885	1.11
500	870	2596	.31	2709	.36	2818	.40	2924	.46	3027	.51	3219	.61	3396	.72	3560	.82	3714	.94	3862	1.07	4003	1.20
550	957	2766	.38	2872	.42	2975	.47	3074	.52	3172	.58	3358	.69	3533	.81	3695	.92	3847	1.04	3992	1.16	4130	1.30
600	1044	2939	.45	3041	.50	3138	.55	3232	.60	3324	.66	3502	.78	3672	.91	3832	1.03	3983	1.16	4125	1.28		
650	1131	3117	.55	3214	.59	3306	.64	3396	.70	3483	.75	3651	.88	3815	1.01	3972	1.15	4120	1.28				
700	1218	3296	.65	3390	.70	3478	.75	3564	.80	3647	.86	3808	.99	3964	1.13	4115	1.27						
750	1305	3478	.77	3569	.82	3654	.87	3735	.93	3815	.98	3970	1.11	4118	1.25								
800	1392	3662	.90	3749	.96	3831	1.01	3910	1.07	3987	1.13	4136	1.26										
850	1479	3847	1.05	3931	1.11	4010	1.17	4088	1.23	4162	1.29												
900	1566	4031	1.20	4115	1.28	4193	1.34																

Performance certified is for installation type B: Free inlet, Ducted outlet. Power rating (BHP) does not include transmission losses. Performance ratings do not include the effects of appurtenances (accessories).

**TECHNICAL
INFORMATION**

In the interest of continuing product improvement,
we reserve the right to change models,
specifications, and/or features without prejudice.

PROJECT: _____
 LOCATION: _____
 ARCHITECT: _____
 ENGINEER: _____
 CONTRACTOR: _____
 DATE: _____ SALES ENGINEER: _____

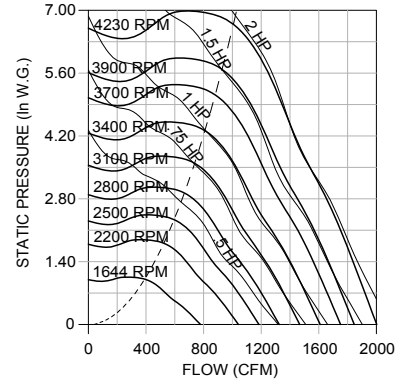
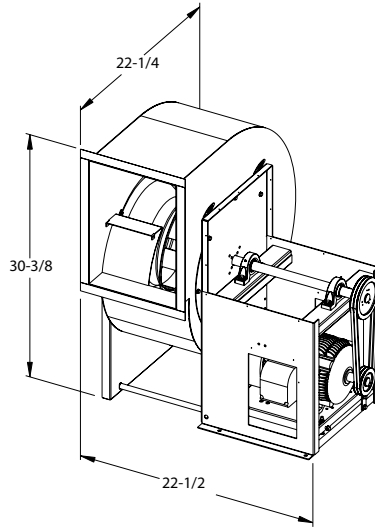
www.monoxivent.com

info@monoxivent.com

309-794-1000

Page: EF-14

Wheel Diameter - 10"
 Wheel Type - Flatblade
 Tip Speed (FPM) = 2.62 x RPM
 Max. BHP = .027 x (RPM/1000)³
 Inlet Area - .61 Sq. Ft.
 Outlet Area - .57 Sq. Ft.
 Outlet Velocity (FPM) = CFM/.57
 Max. Mtr. Frame Size - 145T, Arr. 10
 Approx. Shipping Weight
 BI-80 - 173 lbs.



Do not select to left of dotted curve.

CFM	OV	1.000 SP		1.250 SP		1.500 SP		1.750 SP		2.000 SP		2.500 SP		3.000 SP		3.500 SP		4.000 SP		4.500 SP		5.000 SP	
		RPM	BHP	RPM	BHP	RPM	BHP	RPM	BHP	RPM	BHP	RPM	BHP	RPM	BHP	RPM	BHP	RPM	BHP	RPM	BHP	RPM	BHP
400	696	1644	.11																				
475	826	1717	.13	1860	.17																		
550	957	1819	.16	1943	.19	2067	.23	2191	.27														
625	1088	1940	.19	2050	.22	2158	.26	2267	.30	2376	.35												
700	1218	2064	.23	2171	.27	2269	.30	2366	.34	2464	.39	2658	.48	2852	.59								
775	1349	2186	.28	2296	.32	2391	.36	2481	.40	2569	.44	2744	.53	2920	.64	3096	.76						
850	1479	2304	.32	2418	.38	2516	.42	2604	.46	2687	.51	2848	.59	3008	.70	3168	.82	3328	.95	3488	1.08		
925	1610	2424	.37	2537	.43	2639	.49	2729	.54	2812	.59	2963	.68	3110	.77	3258	.89	3405	1.02	3552	1.16	3699	1.30
1000	1740	2548	.43	2655	.49	2758	.56	2852	.62	2936	.67	3086	.77	3225	.87	3361	.98	3497	1.10	3633	1.24	3769	1.38
1075	1871	2678	.49	2777	.55	2876	.62	2971	.69	3059	.76	3212	.88	3347	.98	3475	1.09	3602	1.20	3728	1.33	3855	1.48
1150	2002	2812	.57	2903	.63	2996	.70	3089	.77	3177	.85	3336	.99	3472	1.11	3597	1.22	3716	1.33	3835	1.45	3953	1.59
1225	2132	2950	.66	3035	.72	3121	.78	3209	.86	3295	.94	3456	1.10	3597	1.24	3722	1.36	3838	1.48	3950	1.60	4061	1.73
1300	2263	3090	.76	3170	.82	3250	.88	3333	.96	3415	1.04	3575	1.21	3719	1.37	3846	1.51	3963	1.64	4072	1.76	4178	1.89
1375	2393	3232	.86	3308	.93	3383	1.00	3460	1.07	3538	1.15	3693	1.32	3839	1.50	3970	1.67	4088	1.81	4196	1.95		
1450	2524	3376	.98	3449	1.05	3519	1.12	3592	1.19	3665	1.27	3813	1.44	3957	1.63	4091	1.82	4212	1.99				
1525	2654	3522	1.11	3590	1.18	3659	1.26	3727	1.33	3796	1.41	3935	1.58	4075	1.77	4209	1.97						
1600	2785	3667	1.25	3734	1.33	3800	1.41	3865	1.48	3929	1.56	4060	1.72	4195	1.92								
1675	2916	3814	1.40	3878	1.48	3941	1.57	4003	1.65	4065	1.73	4190	1.89										
1750	3046	3963	1.56	4025	1.65	4085	1.74	4145	1.82	4205	1.91												
1825	3177	4110	1.73	4169	1.83	4229	1.93																

Performance certified is for installation type B: Free inlet, Ducted outlet. Power rating (BHP) does not include transmission losses. Performance ratings do not include the effects of appurtenances (accessories).

**TECHNICAL
INFORMATION**

In the interest of continuing product improvement,
we reserve the right to change models,
specifications, and/or features without prejudice.

PROJECT: _____
 LOCATION: _____
 ARCHITECT: _____
 ENGINEER: _____
 CONTRACTOR: _____
 DATE: _____ SALES ENGINEER: _____

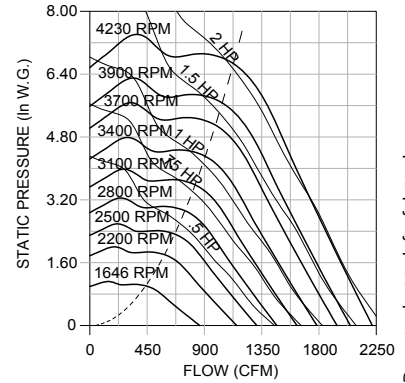
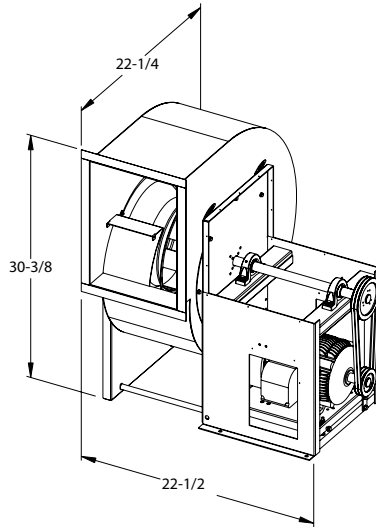
www.monoxivent.com

info@monoxivent.com

309-794-1000

Page: EF-15

Wheel Diameter - 10"
 Wheel Type - Flatblade
 Tip Speed (FPM) = 2.62 x RPM
 Max. BHP = .027 x (RPM/1000)³
 Inlet Area - .61 Sq. Ft.
 Outlet Area - .57 Sq. Ft.
 Outlet Velocity (FPM) = CFM/.57
 Max. Mtr. Frame Size - 145T, Arr. 10
 Approx. Shipping Weight
 BI-100 - 173 lbs.



CFM	OV	1.000 SP		1.250 SP		1.500 SP		1.750 SP		2.000 SP		2.500 SP		3.000 SP		3.500 SP		4.000 SP		4.500 SP		5.000 SP	
		RPM	BHP	RPM	BHP	RPM	BHP	RPM	BHP	RPM	BHP	RPM	BHP	RPM	BHP	RPM	BHP	RPM	BHP	RPM	BHP	RPM	BHP
450	783	1646	.12																				
550	957	1739	.15	1877	.18	2015	.22																
650	1131	1872	.18	1987	.22	2103	.26	2220	.30	2338	.35												
750	1305	2023	.23	2128	.27	2227	.31	2327	.35	2428	.40	2631	.50										
850	1479	2177	.28	2280	.33	2373	.37	2462	.42	2550	.47	2726	.57	2906	.68	3085	.80						
950	1653	2333	.34	2434	.39	2526	.44	2612	.50	2693	.55	2851	.65	3008	.77	3168	.89	3329	1.02				
1050	1827	2492	.40	2589	.46	2680	.52	2766	.58	2845	.64	2993	.75	3135	.87	3277	.99	3422	1.12	3567	1.26	3712	1.41
1150	2002	2654	.49	2748	.54	2836	.60	2920	.67	2999	.73	3144	.86	3278	.99	3408	1.11	3538	1.25	3668	1.39	3801	1.54
1250	2176	2820	.58	2909	.64	2995	.70	3075	.77	3153	.84	3298	.98	3429	1.12	3553	1.26	3673	1.39	3791	1.53	3911	1.68
1350	2350	2987	.70	3073	.76	3156	.82	3234	.89	3310	.96	3452	1.11	3583	1.26	3704	1.41	3819	1.56	3930	1.71	4040	1.86
1450	2524	3157	.82	3239	.89	3319	.95	3395	1.02	3469	1.09	3608	1.25	3737	1.41	3857	1.58	3970	1.74	4078	1.90	4182	2.05
1550	2698	3328	.96	3408	1.03	3485	1.10	3559	1.17	3630	1.25	3765	1.40	3891	1.57	4011	1.75	4123	1.93	4229	2.10		
1650	2872	3501	1.12	3579	1.20	3653	1.27	3724	1.35	3793	1.42	3924	1.58	4048	1.75	4166	1.94						
1750	3046	3677	1.29	3751	1.38	3822	1.46	3891	1.54	3958	1.62	4085	1.78	4206	1.95								
1850	3220	3851	1.48	3924	1.58	3993	1.66	4059	1.75	4124	1.83												
1950	3394	4030	1.69	4099	1.79	4166	1.89	4231	1.98														

Performance certified is for installation type B: Free inlet, Ducted outlet. Power rating (BHP) does not include transmission losses. Performance ratings do not include the effects of appurtenances (accessories).

**TECHNICAL
INFORMATION**

In the interest of continuing product improvement,
we reserve the right to change models,
specifications, and/or features without prejudice.

PROJECT: _____
 LOCATION: _____
 ARCHITECT: _____
 ENGINEER: _____
 CONTRACTOR: _____
 DATE: _____ SALES ENGINEER: _____

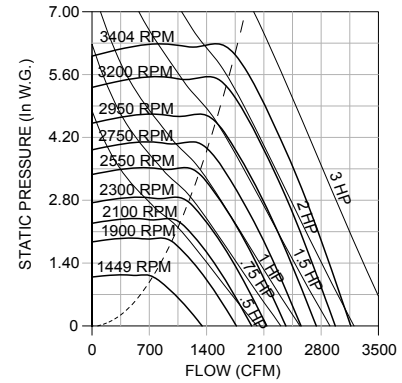
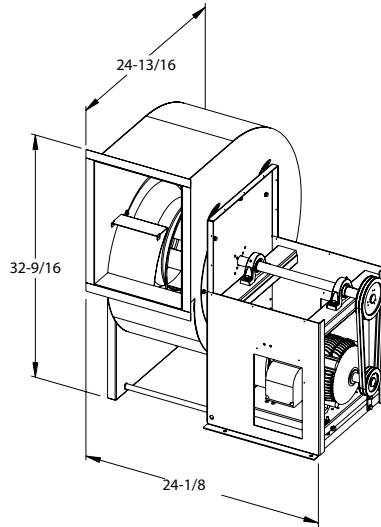
www.monoxivent.com

info@monoxivent.com

309-794-1000

Page: EF-16

Wheel Diameter - 12"
 Wheel Type - Flatblade
 Tip Speed (FPM) = 3.21 x RPM
 Max. BHP = .056 x (RPM/1000)³
 Inlet Area - .92 Sq. Ft.
 Outlet Area - .84 Sq. Ft.
 Outlet Velocity (FPM) = CFM/.84
 Max. Mtr. Frame Size - 184T, Arr. 10
 Approx. Shipping Weight
 BI-120 - 221 lbs.



CFM	OV	1.000 SP		1.250 SP		1.500 SP		1.750 SP		2.000 SP		2.500 SP		3.000 SP		3.500 SP		4.000 SP		4.500 SP		5.000 SP	
		RPM	BHP	RPM	BHP	RPM	BHP	RPM	BHP	RPM	BHP	RPM	BHP	RPM	BHP	RPM	BHP	RPM	BHP	RPM	BHP	RPM	BHP
825	985	1449	.18	1563	.22																		
950	1134	1534	.22	1638	.26	1738	.31	1836	.36														
1075	1283	1627	.26	1724	.31	1817	.36	1906	.41	1994	.47												
1200	1433	1724	.31	1817	.36	1905	.41	1989	.47	2070	.53	2228	.65										
1325	1582	1826	.36	1915	.42	1999	.48	2079	.54	2156	.60	2304	.73	2447	.86								
1450	1731	1933	.43	2016	.49	2096	.55	2173	.61	2247	.68	2388	.81	2523	.96	2654	1.10	2783	1.26				
1575	1880	2044	.50	2122	.57	2198	.63	2271	.70	2342	.77	2478	.91	2607	1.06	2731	1.21	2851	1.37	2971	1.54		
1700	2030	2157	.58	2231	.65	2302	.72	2373	.80	2441	.87	2572	1.02	2696	1.17	2815	1.33	2930	1.50	3042	1.67	3153	1.85
1825	2179	2273	.67	2342	.75	2411	.82	2477	.90	2543	.98	2669	1.14	2789	1.30	2904	1.47	3015	1.64	3122	1.82	3227	2.00
1950	2328	2391	.78	2457	.86	2522	.94	2585	1.02	2647	1.10	2769	1.27	2885	1.44	2997	1.61	3104	1.79	3208	1.98	3308	2.16
2075	2477	2511	.89	2574	.98	2636	1.06	2696	1.15	2755	1.23	2871	1.41	2984	1.59	3092	1.77	3197	1.96	3297	2.15		
2200	2627	2632	1.02	2692	1.11	2752	1.20	2809	1.29	2866	1.38	2977	1.56	3085	1.75	3190	1.94	3292	2.14				
2325	2776	2755	1.15	2813	1.25	2869	1.35	2924	1.44	2978	1.54	3085	1.73	3189	1.93	3291	2.13						
2450	2925	2878	1.31	2933	1.41	2987	1.51	3040	1.61	3093	1.71	3195	1.91	3296	2.12								
2575	3074	3002	1.47	3056	1.58	3108	1.68	3159	1.79	3209	1.90	3307	2.11										
2700	3224	3128	1.65	3179	1.76	3229	1.88	3279	1.99	3327	2.10												
2825	3373	3253	1.85	3303	1.96	3352	2.08																
2950	3522	3381	2.06																				

**TECHNICAL
INFORMATION**

In the interest of continuing product improvement,
we reserve the right to change models,
specifications, and/or features without prejudice.

PROJECT: _____
 LOCATION: _____
 ARCHITECT: _____
 ENGINEER: _____
 CONTRACTOR: _____
 DATE: _____ SALES ENGINEER: _____

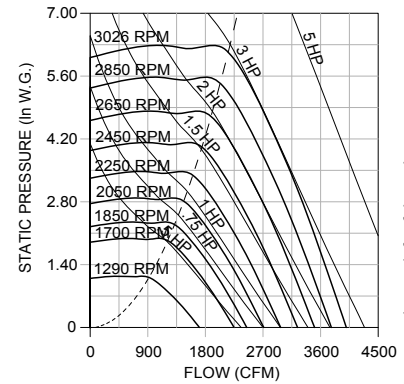
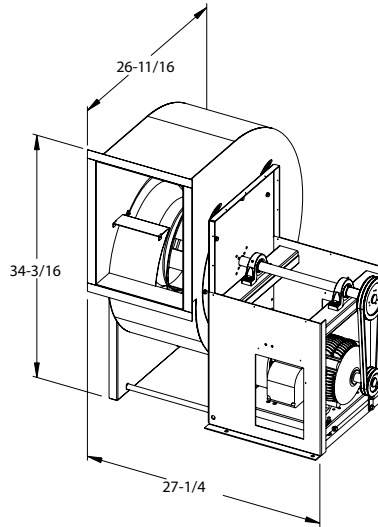
www.monoxivent.com

info@monoxivent.com

309-794-1000

Page: EF-17

Wheel Diameter - 13.5"
 Wheel Type - Flatblade
 Tip Speed (FPM) = 3.53 x RPM
 Max. BHP = .12 x (RPM/1000)³
 Inlet Area - 1.12 Sq. Ft.
 Outlet Area - 1.06 Sq. Ft.
 Outlet Velocity (FPM) = CFM/1.06
 Max. Mtr. Frame Size - 184T, Arr. 10
 Approx. Shipping Weight
 BI-135 - 255 lbs.



CFM	OV	1.000 SP		1.250 SP		1.500 SP		1.750 SP		2.000 SP		2.500 SP		3.000 SP		3.500 SP		4.000 SP		4.500 SP		5.000 SP	
		RPM	BHP	RPM	BHP	RPM	BHP	RPM	BHP	RPM	BHP	RPM	BHP	RPM	BHP	RPM	BHP	RPM	BHP	RPM	BHP	RPM	BHP
1050	994	1290	0.23	1392	0.29																		
1225	1159	1375	0.28	1466	0.34	1554	0.40	1640	0.46														
1400	1325	1467	0.34	1553	0.40	1634	0.47	1712	0.54	1788	0.61												
1575	1491	1565	0.41	1646	0.48	1722	0.55	1796	0.63	1867	0.70	2003	0.86	2138	1.03								
1750	1656	1667	0.49	1743	0.57	1816	0.65	1886	0.72	1953	0.80	2082	0.97	2205	1.14	2326	1.33						
1925	1822	1774	0.59	1845	0.67	1914	0.75	1981	0.84	2045	0.92	2168	1.10	2284	1.28	2397	1.47	2507	1.67	2617	1.88		
2100	1988	1885	0.70	1951	0.79	2016	0.88	2079	0.97	2141	1.06	2259	1.24	2370	1.44	2477	1.64	2581	1.84	2682	2.06	2783	2.28
2275	2153	1998	0.83	2061	0.92	2121	1.01	2182	1.11	2240	1.21	2354	1.41	2461	1.61	2564	1.82	2663	2.03	2759	2.26	2853	2.48
2450	2319	2114	0.97	2172	1.07	2231	1.17	2287	1.27	2343	1.37	2451	1.58	2555	1.80	2655	2.02	2750	2.25	2842	2.47	2932	2.71
2625	2485	2231	1.13	2287	1.23	2342	1.34	2396	1.45	2448	1.56	2552	1.78	2652	2.01	2748	2.24	2841	2.48	2930	2.72	3017	2.96
2800	2650	2351	1.30	2403	1.42	2456	1.53	2507	1.65	2557	1.76	2656	2.00	2752	2.24	2845	2.48	2934	2.73	3022	2.98		
2975	2816	2470	1.50	2522	1.62	2572	1.74	2621	1.87	2668	1.99	2763	2.24	2854	2.49	2944	2.74						
3150	2982	2593	1.72	2641	1.85	2689	1.98	2735	2.10	2781	2.23	2872	2.50	2959	2.76								
3325	3147	2715	1.95	2761	2.09	2807	2.23	2852	2.37	2896	2.50	2983	2.78										
3500	3313	2839	2.22	2884	2.36	2928	2.51	2971	2.65	3013	2.80												
3675	3479	2962	2.50	3005	2.65																		

**TECHNICAL
INFORMATION**

In the interest of continuing product improvement,
we reserve the right to change models,
specifications, and/or features without prejudice.

PROJECT: _____
 LOCATION: _____
 ARCHITECT: _____
 ENGINEER: _____
 CONTRACTOR: _____
 DATE: _____ SALES ENGINEER: _____

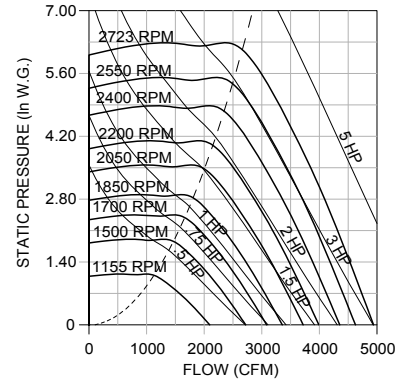
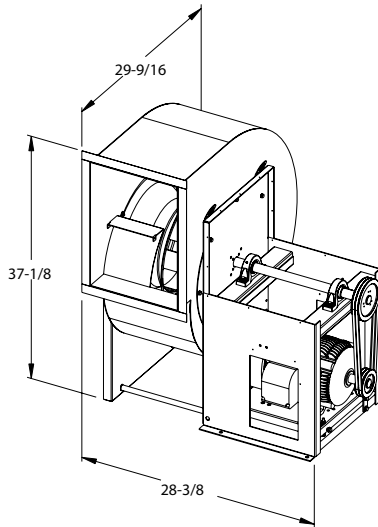
www.monoxivent.com

info@monoxivent.com

309-794-1000

Page: EF-18

Wheel Diameter - 15"
 Wheel Type - Flatblade
 Tip Speed (FPM) = 3.93 x RPM
 Max. BHP = .21 x (RPM/1000)³
 Inlet Area - 1.39 Sq. Ft.
 Outlet Area - 1.31 Sq. Ft.
 Outlet Velocity (FPM) = CFM/1.31
 Max. Mtr. Frame Size - 184T, Arr. 10
 Approx. Ship Wt.
 BI-150 - 291 lbs.



CFM	OV	1.000 SP		1.250 SP		1.500 SP		1.750 SP		2.000 SP		2.500 SP		3.000 SP		3.500 SP		4.000 SP		4.500 SP		5.000 SP	
		RPM	BHP	RPM	BHP	RPM	BHP	RPM	BHP	RPM	BHP	RPM	BHP	RPM	BHP	RPM	BHP	RPM	BHP	RPM	BHP	RPM	BHP
1275	978	1155	0.28	1247	0.35																		
1475	1129	1224	0.34	1307	0.41	1387	0.48	1487	0.58														
1675	1282	1300	0.40	1378	0.48	1452	0.58	1524	0.64	1594	0.73												
1875	1436	1379	0.48	1454	0.58	1524	0.65	1591	0.74	1658	0.83	1783	1.02										
2075	1589	1463	0.57	1534	0.66	1601	0.75	1685	0.84	1728	0.94	1845	1.14	1959	1.35	2072	1.58						
2275	1742	1551	0.67	1617	0.77	1681	0.87	1742	0.97	1801	1.07	1914	1.28	2021	1.50	2128	1.73	2229	1.97				
2475	1895	1642	0.79	1704	0.89	1764	1.00	1823	1.10	1880	1.21	1988	1.44	2091	1.67	2189	1.91	2286	2.16	2380	2.42		
2675	2048	1735	0.92	1793	1.03	1850	1.14	1908	1.28	1960	1.37	2065	1.61	2164	1.85	2259	2.10	2350	2.36	2440	2.63	2528	2.91
2875	2202	1830	1.07	1885	1.19	1939	1.31	1992	1.43	2044	1.55	2145	1.80	2240	2.05	2332	2.32	2420	2.59	2505	2.88	2589	3.15
3075	2355	1927	1.24	1979	1.36	2031	1.49	2081	1.62	2130	1.75	2227	2.01	2320	2.28	2408	2.55	2494	2.84	2576	3.12	2657	3.42
3275	2508	2025	1.42	2075	1.56	2124	1.69	2172	1.83	2219	1.96	2311	2.24	2400	2.52	2487	2.81	2570	3.10	2650	3.40		
3475	2661	2125	1.63	2172	1.77	2219	1.91	2265	2.06	2310	2.20	2398	2.49	2484	2.79	2567	3.09	2648	3.39				
3675	2814	2225	1.85	2271	2.01	2316	2.16	2359	2.31	2402	2.46	2487	2.78	2570	3.07	2650	3.39						
3875	2967	2327	2.10	2370	2.26	2413	2.42	2455	2.58	2496	2.74	2578	3.06	2657	3.38								
4075	3121	2428	2.37	2470	2.54	2512	2.71	2552	2.87	2592	3.04	2670	3.38										
4275	3274	2532	2.67	2572	2.85	2612	3.02	2651	3.20	2689	3.37												
4475	3427	2634	2.98	2673	3.17	2712	3.38																

TECHNICAL INFORMATION

In the interest of continuing product improvement,
we reserve the right to change models,
specifications, and/or features without prejudice.

PROJECT: _____
LOCATION: _____
ARCHITECT: _____
ENGINEER: _____
CONTRACTOR: _____
DATE: _____ SALES ENGINEER: _____

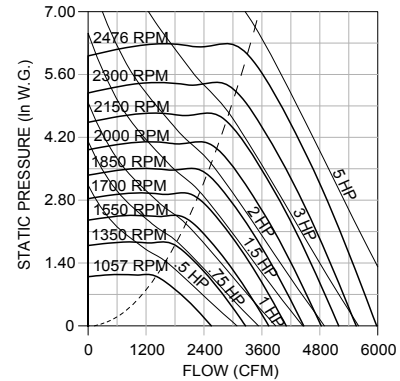
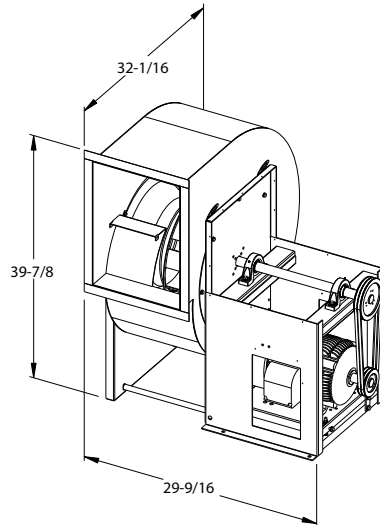
www.monoxivent.com

info@monoxivent.com

309-794-1000

Page: EF-19

Wheel Diameter - 16.5"
Wheel Type - Flatblade
Tip Speed (FPM) = 4.32 x RPM
Max. BHP = .33 x (RPM/1000)³
Inlet Area - 1.67 Sq. Ft.
Outlet Area - 1.58 Sq. Ft.
Outlet Velocity (FPM) = CFM/1.58
Max. Mtr. Frame Size - 184T, Arr. 10
Approx. Ship Wt.
BI-165 - 334 lbs.



CFM	OV	1.000 SP		1.250 SP		1.500 SP		1.750 SP		2.000 SP		2.500 SP		3.000 SP		3.500 SP		4.000 SP		4.500 SP		5.000 SP	
		RPM	BHP	RPM	BHP	RPM	BHP	RPM	BHP	RPM	BHP	RPM	BHP	RPM	BHP	RPM	BHP	RPM	BHP	RPM	BHP	RPM	BHP
1575	994	1057	0.35	1140	0.43																		
1825	1152	1124	0.42	1198	0.50	1270	0.60	1341	0.69														
2075	1310	1196	0.50	1266	0.60	1332	0.69	1397	0.80	1459	0.90												
2325	1468	1272	0.60	1338	0.70	1401	0.81	1462	0.92	1520	1.03	1633	1.26										
2575	1626	1351	0.72	1414	0.83	1474	0.94	1532	1.06	1587	1.18	1693	1.42	1795	1.68	1895	1.95						
2825	1783	1434	0.85	1493	0.97	1550	1.09	1605	1.22	1658	1.34	1760	1.60	1856	1.87	1949	2.16	2041	2.45				
3075	1941	1520	1.01	1575	1.13	1629	1.26	1682	1.40	1733	1.53	1830	1.80	1922	2.09	2010	2.38	2097	2.69	2181	3.01	2265	3.34
3325	2099	1608	1.18	1660	1.31	1711	1.45	1761	1.59	1810	1.74	1903	2.03	1992	2.33	2077	2.64	2159	2.95	2239	3.28	2318	3.62
3575	2257	1698	1.37	1748	1.52	1795	1.67	1843	1.82	1889	1.97	1979	2.28	2065	2.59	2147	2.91	2226	3.25	2303	3.59	2378	3.94
3825	2415	1790	1.59	1837	1.75	1882	1.90	1927	2.06	1971	2.22	2057	2.55	2140	2.88	2220	3.22	2296	3.56	2370	3.92	2442	4.28
4075	2573	1882	1.83	1927	2.00	1971	2.17	2013	2.33	2055	2.50	2138	2.85	2217	3.19	2294	3.55	2369	3.91	2441	4.28		
4325	2731	1977	2.10	2019	2.28	2060	2.45	2101	2.63	2141	2.81	2220	3.17	2296	3.54	2371	3.91	2443	4.29				
4575	2888	2071	2.40	2112	2.59	2152	2.78	2191	2.96	2229	3.15	2304	3.53	2378	3.91	2450	4.30						
4825	3046	2167	2.72	2206	2.92	2244	3.12	2282	3.32	2319	3.52	2391	3.92	2461	4.31								
5075	3204	2263	3.08	2301	3.29	2337	3.50	2373	3.71	2409	3.92												
5325	3362	2360	3.47	2396	3.69	2432	3.91	2466	4.13														
5575	3520	2458	3.89																				

**TECHNICAL
INFORMATION**

In the interest of continuing product improvement,
we reserve the right to change models,
specifications, and/or features without prejudice.

PROJECT: _____
 LOCATION: _____
 ARCHITECT: _____
 ENGINEER: _____
 CONTRACTOR: _____
 DATE: _____ SALES ENGINEER: _____

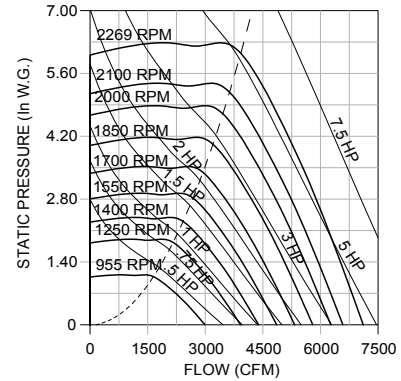
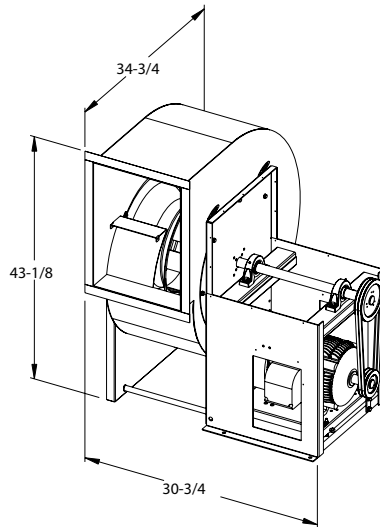
www.monoxivent.com

info@monoxivent.com

309-794-1000

Page: EF-20

Wheel Diameter - 18"
 Wheel Type - Flatblade
 Tip Speed (FPM) = 4.71 x RPM
 Max. BHP = .43 x (RPM/1000)³
 Inlet Area - 2.03 Sq. Ft.
 Outlet Area - 1.88 Sq. Ft.
 Outlet Velocity (FPM) = CFM/1.88
 Max. Mtr. Frame Size - 215T, Arr. 10
 Approx. Ship Wt.
 BI-180 - 396 lbs.



CFM	OV	1.000 SP		1.250 SP		1.500 SP		1.750 SP		2.000 SP		2.500 SP		3.000 SP		3.500 SP		4.000 SP		4.500 SP		5.000 SP	
		RPM	BHP	RPM	BHP	RPM	BHP	RPM	BHP	RPM	BHP	RPM	BHP	RPM	BHP	RPM	BHP	RPM	BHP	RPM	BHP	RPM	BHP
1800	957	955	0.39	1034	0.49																		
2100	1117	1015	0.48	1084	0.58	1152	0.68																
2400	1276	1080	0.57	1145	0.68	1207	0.80	1267	0.92	1326	1.04												
2700	1436	1150	0.69	1211	0.81	1270	0.93	1326	1.06	1380	1.19	1485	1.46										
3000	1595	1222	0.82	1281	0.95	1337	1.09	1390	1.22	1441	1.36	1540	1.65	1634	1.95	1728	2.28						
3300	1755	1298	0.98	1353	1.12	1406	1.26	1457	1.41	1507	1.56	1600	1.86	1689	2.18	1775	2.51	1861	2.86				
3600	1914	1378	1.16	1429	1.31	1479	1.46	1527	1.61	1575	1.78	1665	2.10	1750	2.44	1831	2.78	1911	3.14	1989	3.51	2068	3.91
3900	2074	1458	1.36	1507	1.52	1554	1.68	1600	1.85	1645	2.02	1732	2.36	1814	2.72	1892	3.08	1968	3.45	2042	3.84	2114	4.24
4200	2234	1541	1.59	1587	1.76	1632	1.94	1675	2.11	1718	2.29	1801	2.65	1881	3.03	1957	3.41	2029	3.80	2100	4.20	2169	4.61
4500	2393	1626	1.85	1669	2.03	1711	2.21	1753	2.40	1794	2.59	1873	2.97	1949	3.36	2023	3.77	2094	4.18	2162	4.60	2228	5.02
4800	2553	1712	2.13	1753	2.33	1793	2.53	1832	2.72	1871	2.92	1947	3.33	2021	3.74	2092	4.16	2160	4.58	2227	5.03		
5100	2712	1799	2.45	1838	2.66	1876	2.87	1913	3.07	1951	3.29	2023	3.71	2094	4.15	2162	4.58	2229	5.03				
5400	2872	1886	2.80	1923	3.02	1960	3.24	1996	3.46	2032	3.69	2101	4.13	2168	4.58	2235	5.05						
5700	3032	1974	3.18	2010	3.42	2045	3.65	2080	3.89	2114	4.12	2180	4.59	2245	5.06								
6000	3191	2063	3.61	2097	3.85	2131	4.10	2164	4.35	2197	4.59	2261	5.09										
6300	3351	2152	4.06	2186	4.33	2218	4.59	2250	4.85														
6600	3510	2242	4.57																				

**TECHNICAL
INFORMATION**

In the interest of continuing product improvement,
we reserve the right to change models,
specifications, and/or features without prejudice.

PROJECT: _____
 LOCATION: _____
 ARCHITECT: _____
 ENGINEER: _____
 CONTRACTOR: _____
 DATE: _____ SALES ENGINEER: _____

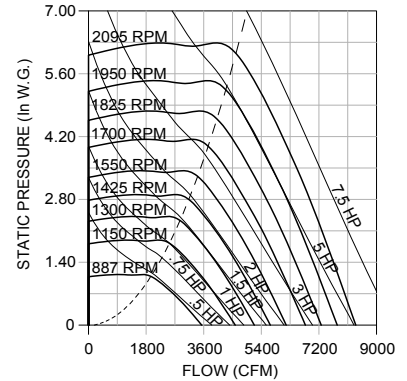
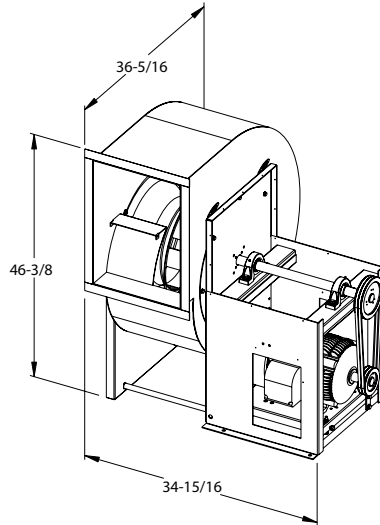
www.monoxivent.com

info@monoxivent.com

309-794-1000

Page: EF-21

- Wheel Diameter - 19.5"
- Wheel Type - Flatblade
- Tip Speed (FPM) = 5.11 x RPM
- Max. BHP = .64 x (RPM/1000)³
- Inlet Area - 2.31 Sq. Ft.
- Outlet Area - 2.21 Sq. Ft.
- Outlet Velocity (FPM) = CFM/2.21
- Max. Mtr. Frame Size - 215T, Arr. 10
- Approx. Ship Wt.
- BI-195 - 440 lbs.



Do not select to left of dotted curve.

CFM	OV	1.000 SP		1.250 SP		1.500 SP		1.750 SP		2.000 SP		2.500 SP		3.000 SP		3.500 SP		4.000 SP		4.500 SP		5.000 SP	
		RPM	BHP	RPM	BHP	RPM	BHP	RPM	BHP	RPM	BHP	RPM	BHP	RPM	BHP	RPM	BHP	RPM	BHP	RPM	BHP	RPM	BHP
2150	972	887	0.47	958	0.58																		
2500	1130	942	0.57	1006	0.69	1068	0.81	1129	0.95														
2850	1289	1003	0.68	1063	0.82	1120	0.95	1175	1.09	1229	1.24												
3200	1447	1067	0.82	1124	0.96	1178	1.11	1229	1.26	1279	1.41	1375	1.74										
3550	1605	1134	0.98	1188	1.13	1239	1.29	1288	1.45	1335	1.61	1426	1.96	1513	2.32	1599	2.70						
3900	1764	1204	1.16	1254	1.33	1303	1.50	1350	1.67	1395	1.84	1481	2.20	1563	2.58	1643	2.97	1721	3.38				
4250	1922	1277	1.38	1324	1.55	1370	1.73	1415	1.92	1458	2.10	1541	2.48	1619	2.88	1694	3.29	1767	3.71	1840	4.16	1911	4.61
4600	2080	1351	1.61	1396	1.80	1439	2.00	1481	2.19	1523	2.39	1603	2.79	1678	3.21	1750	3.64	1820	4.08	1888	4.53	1955	5.00
4950	2239	1428	1.88	1470	2.09	1510	2.29	1551	2.50	1590	2.71	1667	3.14	1740	3.58	1810	4.03	1876	4.48	1942	4.96	2005	5.44
5300	2397	1505	2.18	1545	2.40	1584	2.62	1622	2.84	1659	3.06	1732	3.51	1803	3.97	1871	4.45	1936	4.93	1999	5.42	2060	5.92
5650	2555	1584	2.52	1622	2.75	1658	2.98	1695	3.22	1731	3.45	1801	3.93	1868	4.41	1934	4.90	1997	5.41	2058	5.92		
6000	2713	1663	2.89	1699	3.13	1734	3.38	1769	3.63	1803	3.87	1870	4.37	1935	4.88	1999	5.40	2060	5.93				
6350	2872	1743	3.30	1778	3.56	1812	3.82	1845	4.08	1878	4.35	1942	4.87	2004	5.40	2065	5.94						
6700	3030	1824	3.75	1858	4.03	1890	4.30	1922	4.58	1953	4.85	2015	5.41	2074	5.96								
7050	3188	1906	4.24	1938	4.54	1969	4.83	2000	5.12	2030	5.41	2089	5.99										
7400	3347	1988	4.78	2019	5.09	2049	5.40	2078	5.70														
7750	3505	2071	5.37																				

**TECHNICAL
INFORMATION**

In the interest of continuing product improvement,
we reserve the right to change models,
specifications, and/or features without prejudice.

PROJECT: _____
 LOCATION: _____
 ARCHITECT: _____
 ENGINEER: _____
 CONTRACTOR: _____
 DATE: _____ SALES ENGINEER: _____

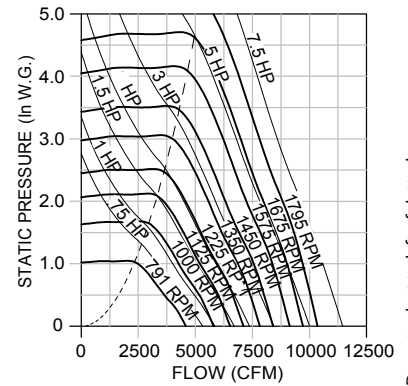
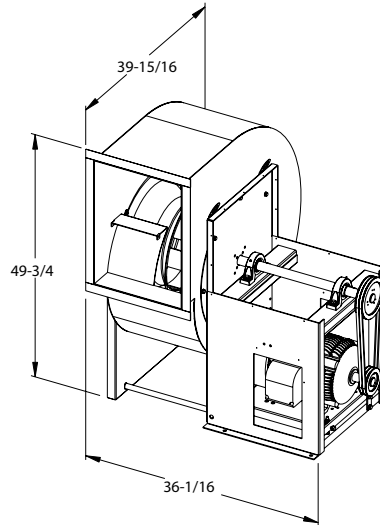
www.monoxivent.com

info@monoxivent.com

309-794-1000

Page: EF-22

Wheel Diameter - 21"
 Wheel Type - Flatblade
 Tip Speed (FPM) = 5.50 x RPM
 Max. BHP = 1.11 x (RPM/1000)³
 Inlet Area - 2.69 Sq. Ft.
 Outlet Area - 2.57 Sq. Ft.
 Outlet Velocity (FPM) = CFM/2.57
 Max. Mtr. Frame Size - 215T, Arr. 10
 Approx. Ship Wt.
 BI-210 - 490 lbs.



Do not select to left of dotted curve.

CFM	OV	1.000 SP		1.250 SP		1.500 SP		1.750 SP		2.000 SP		2.500 SP		3.000 SP		3.500 SP		4.000 SP		4.500 SP		5.000 SP	
		RPM	BHP	RPM	BHP	RPM	BHP	RPM	BHP	RPM	BHP	RPM	BHP	RPM	BHP	RPM	BHP	RPM	BHP	RPM	BHP	RPM	BHP
2500	974	791	0.53																				
2950	1149	834	0.64	897	0.79	961	0.95																
3400	1325	886	0.78	943	0.93	999	1.10	1054	1.27	1109	1.46												
3850	1500	943	0.94	996	1.10	1047	1.28	1097	1.46	1146	1.65	1243	2.06										
4300	1676	1003	1.12	1054	1.31	1101	1.49	1148	1.69	1193	1.89	1281	2.31	1368	2.76								
4750	1851	1064	1.34	1113	1.53	1159	1.74	1203	1.94	1245	2.15	1327	2.59	1407	3.06	1486	3.56	1565	4.08				
5200	2026	1125	1.58	1175	1.80	1219	2.02	1261	2.24	1301	2.46	1379	2.92	1454	3.41	1526	3.91	1599	4.46	1671	5.02		
5650	2202	1185	1.84	1236	2.09	1280	2.33	1321	2.57	1361	2.81	1435	3.30	1505	3.80	1574	4.33	1641	4.88	1707	5.45	1774	6.05
6100	2377	1244	2.13	1296	2.41	1341	2.67	1383	2.94	1421	3.19	1492	3.71	1560	4.24	1626	4.79	1689	5.35	1752	5.95		
6550	2553	1305	2.46	1355	2.76	1402	3.05	1444	3.34	1482	3.61	1552	4.16	1618	4.73	1680	5.29	1741	5.88				
7000	2728	1369	2.82	1415	3.14	1461	3.45	1504	3.77	1543	4.07	1613	4.67	1677	5.26	1738	5.86						
7450	2903	1435	3.23	1476	3.55	1521	3.90	1564	4.24	1603	4.56	1674	5.21	1737	5.83								
7900	3079	1502	3.68	1541	4.02	1582	4.38	1623	4.74	1663	5.09	1735	5.79										
8350	3254	1571	4.18	1607	4.54	1645	4.91	1683	5.27	1722	5.66												
8800	3430	1642	4.74	1674	5.10	1708	5.47	1745	5.87	1783	6.27												
9250	3605	1713	5.35	1744	5.73	1776	6.12																

**TECHNICAL
INFORMATION**

In the interest of continuing product improvement,
we reserve the right to change models,
specifications, and/or features without prejudice.

PROJECT: _____
 LOCATION: _____
 ARCHITECT: _____
 ENGINEER: _____
 CONTRACTOR: _____
 DATE: _____ SALES ENGINEER: _____

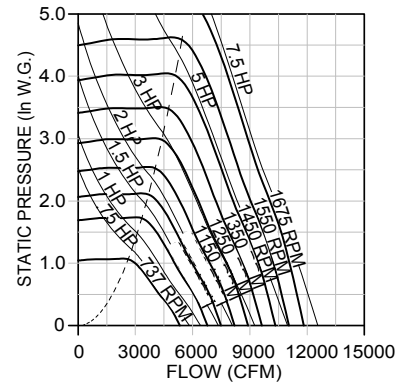
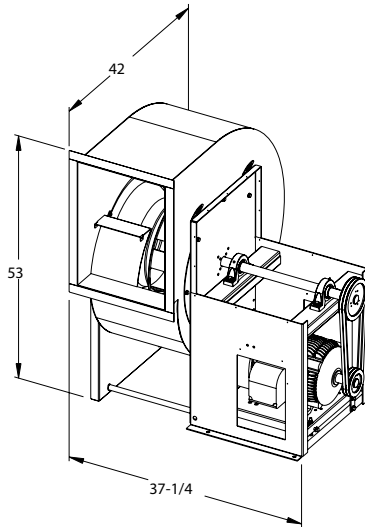
www.monoxivent.com

info@monoxivent.com

309-794-1000

Page: EF-23

Wheel Diameter - 22.5"
 Wheel Type - Flatblade
 Tip Speed (FPM) = 5.89 x RPM
 Max. BHP = 1.57 x (RPM/1000)³
 Inlet Area - 3.02 Sq. Ft.
 Outlet Area - 2.94 Sq. Ft.
 Outlet Velocity (FPM) = CFM/2.94
 Max. Mtr. Frame Size - 215T, Arr. 10
 Approx. Ship Wt.
 BI-225 - 537 lbs.



CFM	OV	1.000 SP		1.250 SP		1.500 SP		1.750 SP		2.000 SP		2.500 SP		3.000 SP		3.500 SP		4.000 SP		4.500 SP		5.000 SP	
		RPM	BHP	RPM	BHP	RPM	BHP	RPM	BHP	RPM	BHP	RPM	BHP	RPM	BHP	RPM	BHP	RPM	BHP	RPM	BHP	RPM	BHP
2850	969	737	0.61																				
3350	1139	775	0.73	835	0.90	895	1.08																
3850	1309	822	0.87	876	1.05	928	1.24	981	1.44	1033	1.66												
4350	1479	873	1.05	923	1.24	971	1.44	1018	1.65	1065	1.87	1157	2.33										
4850	1650	927	1.25	974	1.45	1020	1.67	1063	1.89	1106	2.12	1189	2.60	1272	3.12								
5350	1820	982	1.48	1028	1.71	1071	1.93	1113	2.17	1153	2.41	1230	2.91	1306	3.45	1381	4.01						
5850	1990	1037	1.74	1083	1.99	1125	2.24	1165	2.49	1203	2.74	1276	3.27	1347	3.82	1416	4.40	1484	5.00	1553	5.65		
6350	2160	1091	2.03	1139	2.31	1180	2.58	1219	2.85	1255	3.11	1325	3.66	1392	4.24	1457	4.84	1521	5.46	1584	6.11	1647	6.79
6850	2330	1145	2.35	1193	2.65	1236	2.95	1274	3.24	1310	3.53	1377	4.11	1441	4.71	1503	5.34	1563	5.98	1623	6.65		
7350	2500	1200	2.70	1247	3.03	1290	3.35	1329	3.67	1365	3.99	1430	4.60	1492	5.23	1552	5.89	1609	6.55	1666	7.24		
7850	2670	1256	3.08	1301	3.44	1344	3.79	1384	4.14	1420	4.48	1485	5.14	1545	5.80	1602	6.48	1658	7.18				
8350	2840	1315	3.52	1356	3.89	1398	4.27	1438	4.65	1475	5.02	1541	5.73	1600	6.43	1655	7.13						
8850	3011	1375	4.00	1413	4.38	1452	4.78	1492	5.19	1529	5.59	1596	6.36	1655	7.11								
9350	3181	1437	4.53	1471	4.92	1508	5.34	1546	5.77	1583	6.20	1651	7.03										
9850	3351	1499	5.11	1532	5.53	1566	5.96	1601	6.40	1637	6.85												
10350	3521	1565	5.78	1594	6.19	1625	6.63	1658	7.09														
10850	3691	1629	6.48	1656	6.90																		

**TECHNICAL
INFORMATION**

In the interest of continuing product improvement,
we reserve the right to change models,
specifications, and/or features without prejudice.

PROJECT: _____
 LOCATION: _____
 ARCHITECT: _____
 ENGINEER: _____
 CONTRACTOR: _____
 DATE: _____ SALES ENGINEER: _____

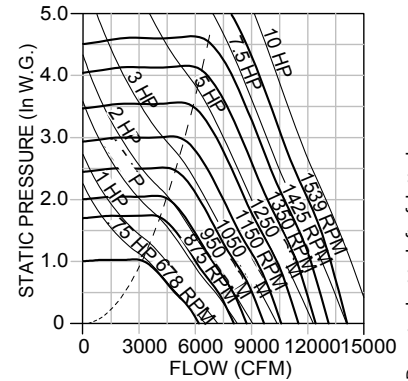
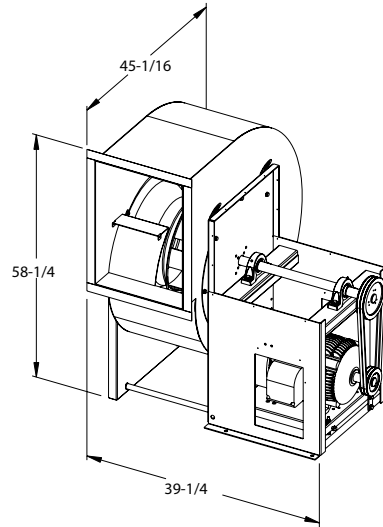
www.monoxivent.com

info@monoxivent.com

309-794-1000

Page: EF-24

Wheel Diameter - 24.5"
 Wheel Type - Flatblade
 Tip Speed (FPM) = 6.41 x RPM
 Max. BHP = 2.40 x (RPM/1000)³
 Inlet Area - 3.64 Sq. Ft.
 Outlet Area - 3.49 Sq. Ft.
 Outlet Velocity (FPM) = CFM/3.49
 Max. Mtr. Frame Size - 215T, Arr. 10
 Approx. Ship Wt.
 BI-245 - 608 lbs.



Do not select to left of dotted curve.

CFM	OV	1.000 SP		1.250 SP		1.500 SP		1.750 SP		2.000 SP		2.500 SP		3.000 SP		3.500 SP		4.000 SP		4.500 SP		5.000 SP	
		RPM	BHP	RPM	BHP	RPM	BHP	RPM	BHP	RPM	BHP	RPM	BHP	RPM	BHP	RPM	BHP	RPM	BHP	RPM	BHP	RPM	BHP
3400	973	678	0.73																				
4000	1145	714	0.87	769	1.07	823	1.29																
4600	1317	757	1.05	807	1.26	855	1.48	902	1.72	950	1.98												
5200	1489	805	1.26	851	1.49	895	1.72	938	1.97	980	2.23	1065	2.79										
5800	1661	855	1.50	899	1.75	940	2.00	980	2.26	1019	2.54	1095	3.11	1171	3.73								
6400	1833	907	1.79	949	2.05	989	2.33	1026	2.60	1063	2.89	1134	3.49	1203	4.13	1271	4.80	1340	5.51				
7000	2005	958	2.10	1000	2.40	1039	2.70	1075	2.99	1110	3.30	1177	3.92	1241	4.58	1304	5.27	1366	5.99	1429	6.75		
7600	2176	1008	2.45	1052	2.79	1090	3.11	1125	3.42	1159	3.75	1223	4.41	1284	5.09	1343	5.80	1401	6.54	1459	7.32	1516	8.13
8200	2348	1058	2.83	1102	3.20	1141	3.56	1177	3.91	1209	4.25	1271	4.95	1330	5.67	1386	6.41	1441	7.17	1495	7.97		
8800	2520	1109	3.26	1152	3.66	1192	4.05	1228	4.43	1261	4.81	1321	5.55	1378	6.31	1432	7.08	1484	7.86	1536	8.69		
9400	2692	1162	3.73	1202	4.15	1242	4.58	1279	5.00	1312	5.41	1372	6.20	1427	6.99	1479	7.80	1530	8.63				
10000	2864	1217	4.26	1254	4.70	1292	5.16	1329	5.61	1363	6.06	1423	6.91	1478	7.76	1529	8.61						
10600	3036	1272	4.84	1307	5.31	1343	5.79	1379	6.27	1413	6.75	1475	7.68	1529	8.58								
11200	3208	1331	5.50	1362	5.97	1395	6.47	1429	6.97	1463	7.49	1526	8.50										
11800	3379	1389	6.21	1418	6.70	1449	7.22	1481	7.75	1513	8.28												
12400	3551	1450	7.02	1476	7.51	1504	8.04	1534	8.58														
13000	3723	1509	7.86	1534	8.38																		

**TECHNICAL
INFORMATION**

In the interest of continuing product improvement,
we reserve the right to change models,
specifications, and/or features without prejudice.

PROJECT: _____
 LOCATION: _____
 ARCHITECT: _____
 ENGINEER: _____
 CONTRACTOR: _____
 DATE: _____ SALES ENGINEER: _____

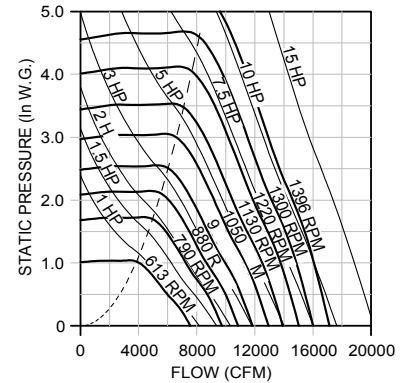
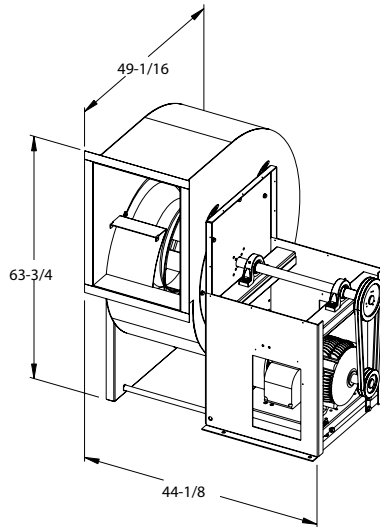
www.monoxivent.com

info@monoxivent.com

309-794-1000

Page: EF-25

Wheel Diameter - 27"
 Wheel Type - Flatblade
 Tip Speed (FPM) = 7.07 x RPM
 Max. BHP = 3.90 x (RPM/1000)³
 Inlet Area - 4.35 Sq. Ft.
 Outlet Area - 4.23 Sq. Ft.
 Outlet Velocity (FPM) = CFM/4.23
 Max. Mtr. Frame Size - 256T, Arr. 10
 Approx. Ship Wt.
 BI-270 - 722 lbs.



Do not select to left of dotted curve.

CFM	OV	1.000 SP		1.250 SP		1.500 SP		1.750 SP		2.000 SP		2.500 SP		3.000 SP		3.500 SP		4.000 SP		4.500 SP		5.000 SP	
		RPM	BHP	RPM	BHP	RPM	BHP	RPM	BHP	RPM	BHP	RPM	BHP	RPM	BHP	RPM	BHP	RPM	BHP	RPM	BHP	RPM	BHP
4050	956	613	.87																				
4650	1098	637	1.00	689	1.24																		
5250	1239	668	1.17	715	1.42	761	1.68	807	1.97														
5850	1381	702	1.36	746	1.62	788	1.90	830	2.20	871	2.51												
6450	1523	739	1.58	780	1.86	820	2.16	858	2.46	896	2.78	970	3.45										
7050	1665	776	1.83	816	2.13	854	2.44	890	2.76	925	3.08	994	3.78	1062	4.53								
7650	1806	815	2.11	854	2.43	890	2.76	924	3.09	958	3.44	1023	4.16	1086	4.92	1149	5.74						
8250	1948	853	2.41	892	2.77	927	3.12	960	3.47	992	3.83	1054	4.58	1114	5.37	1172	6.19	1231	7.07	1290	8.00		
8850	2090	891	2.75	930	3.13	965	3.51	997	3.88	1028	4.26	1087	5.03	1144	5.84	1200	6.70	1254	7.58	1309	8.52	1363	9.49
9450	2231	928	3.11	968	3.53	1003	3.93	1035	4.33	1065	4.73	1123	5.55	1177	6.38	1230	7.26	1282	8.17	1333	9.12	1384	10.10
10050	2373	966	3.50	1006	3.96	1041	4.39	1074	4.83	1103	5.24	1159	6.10	1212	6.98	1263	7.88	1312	8.81	1361	9.78		
10650	2515	1004	3.93	1043	4.41	1079	4.88	1112	5.35	1142	5.81	1196	6.69	1248	7.62	1297	8.55	1345	9.52				
11250	2656	1043	4.39	1081	4.91	1117	5.42	1150	5.91	1180	6.40	1234	7.34	1285	8.31	1332	9.26	1379	10.30				
11850	2798	1083	4.90	1119	5.44	1154	5.97	1188	6.52	1218	7.03	1273	8.04	1322	9.03	1369	10.00						
12450	2940	1125	5.46	1158	6.01	1192	6.58	1225	7.15	1256	7.70	1311	8.77	1360	9.82								
13050	3082	1168	6.08	1198	6.63	1230	7.22	1262	7.81	1293	8.40	1349	9.55										
13650	3223	1211	6.74	1239	7.31	1269	7.91	1300	8.53	1331	9.17	1387	10.40										
14250	3365	1255	7.45	1281	8.04	1309	8.66	1339	9.31	1368	9.95												
14850	3507	1300	8.24	1324	8.83	1350	9.46	1378	10.10														
15450	3648	1345	9.08	1368	9.69																		

**TECHNICAL
INFORMATION**

In the interest of continuing product improvement,
we reserve the right to change models,
specifications, and/or features without prejudice.

PROJECT: _____
 LOCATION: _____
 ARCHITECT: _____
 ENGINEER: _____
 CONTRACTOR: _____
 DATE: _____ SALES ENGINEER: _____

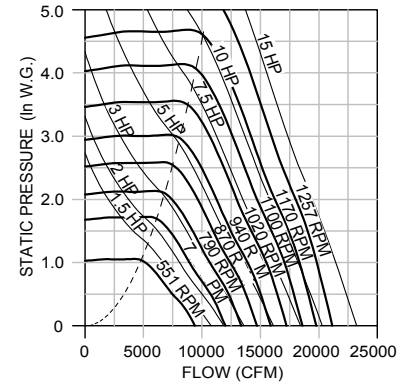
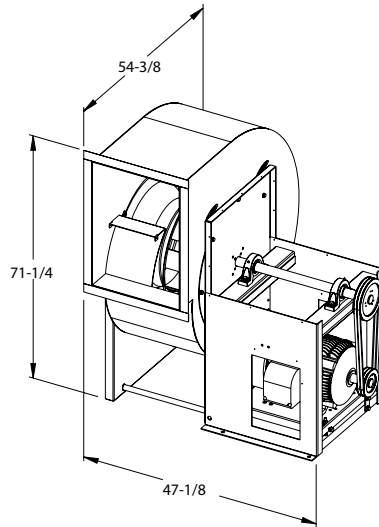
www.monoxivent.com

info@monoxivent.com

309-794-1000

Page: EF-26

Wheel Diameter - 30"
 Wheel Type - Flatblade
 Tip Speed (FPM) = 7.85 x RPM
 Max. BHP = 6.60 x (RPM/1000)³
 Inlet Area - 5.36 Sq. Ft.
 Outlet Area - 5.23 Sq. Ft.
 Outlet Velocity (FPM) = CFM/5.23
 Max. Mtr. Frame Size - 256T, Arr. 10
 Approx. Ship Wt.
 BI-300 - 879 lbs.



CFM	OV	1.000 SP		1.250 SP		1.500 SP		1.750 SP		2.000 SP		2.500 SP		3.000 SP		3.500 SP		4.000 SP		4.500 SP		5.000 SP	
		RPM	BHP	RPM	BHP	RPM	BHP	RPM	BHP	RPM	BHP	RPM	BHP	RPM	BHP	RPM	BHP	RPM	BHP	RPM	BHP	RPM	BHP
5000	956	551	1.07																				
5750	1100	574	1.24	621	1.54																		
6500	1243	602	1.44	644	1.75	685	2.08	727	2.44														
7250	1387	633	1.68	672	2.01	710	2.36	747	2.72	784	3.10												
8000	1530	667	1.97	704	2.32	739	2.67	774	3.06	807	3.44	874	4.28										
8750	1674	701	2.28	736	2.64	770	3.03	803	3.43	834	3.83	896	4.69	957	5.62								
9500	1817	736	2.63	771	3.03	803	3.44	834	3.85	864	4.28	922	5.16	979	6.12	1035	7.12						
10250	1961	771	3.02	805	3.45	837	3.88	867	4.32	896	4.77	951	5.70	1004	6.66	1057	7.70	1109	8.77	1162	9.93		
11000	2104	805	3.44	840	3.91	872	4.38	901	4.85	929	5.32	982	6.28	1033	7.29	1082	8.33	1131	9.43	1180	10.60	1229	11.80
11750	2248	839	3.89	875	4.41	907	4.92	935	5.41	962	5.90	1014	6.92	1063	7.97	1110	9.04	1157	10.2	1203	11.40	1248	12.60
12500	2391	873	4.38	909	4.95	941	5.49	970	6.02	997	6.55	1047	7.61	1095	8.72	1140	9.82	1185	11.00	1228	12.20		
13250	2535	908	4.92	943	5.52	976	6.12	1005	6.69	1032	7.26	1081	8.37	1127	9.50	1171	10.70	1214	11.90				
14000	2678	944	5.51	978	6.16	1010	6.79	1040	7.41	1067	8.01	1116	9.19	1161	10.40	1204	11.60	1245	12.80				
14750	2822	981	6.16	1013	6.83	1044	7.49	1074	8.16	1102	8.82	1151	10.1	1195	11.30	1237	12.60						
15500	2965	1019	6.87	1048	7.55	1078	8.24	1108	8.96	1136	9.65	1186	11.00	1230	12.30								
16250	3109	1058	7.64	1085	8.34	1114	9.08	1142	9.81	1170	10.50	1221	12.00										
17000	3252	1098	8.49	1123	9.21	1149	9.94	1177	10.70	1204	11.50												
17750	3396	1138	9.40	1161	10.10	1186	10.90	1212	11.70	1238	12.50												
18500	3539	1179	10.4	1201	11.20	1224	11.90	1248	12.70														

**TECHNICAL
INFORMATION**

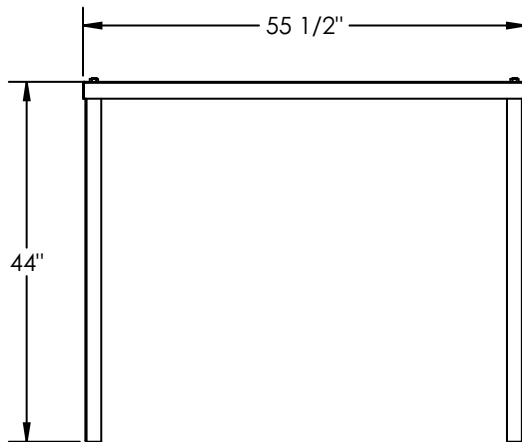
In the interest of continuing product improvement, we reserve the right to change models, specifications, and/or features without prejudice.

PROJECT: _____
 LOCATION: _____
 ARCHITECT: _____
 ENGINEER: _____
 CONTRACTOR: _____
 DATE: _____ SALES ENGINEER: _____

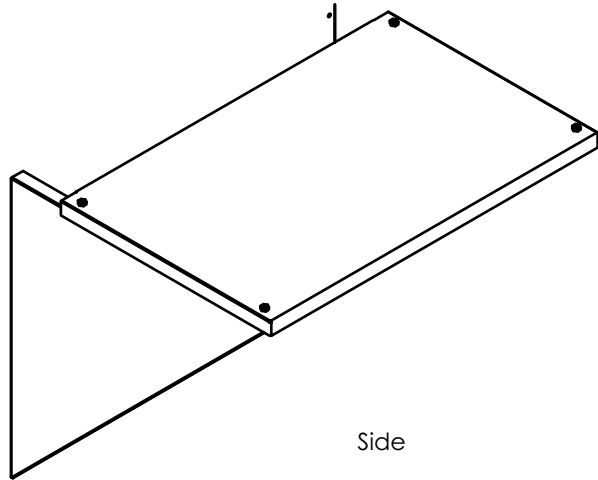
**UFP - UNIVERSAL
FAN PLATFORM**

Weight: 260 lbs.

Front



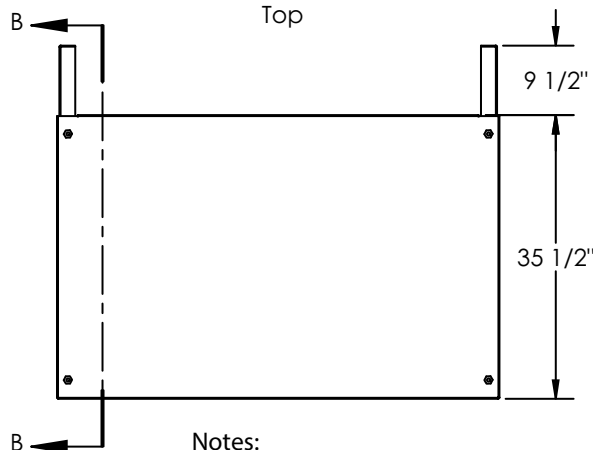
Side



Fan Platform (1)
12 ga

Fan Base Gusset (2)
12 ga

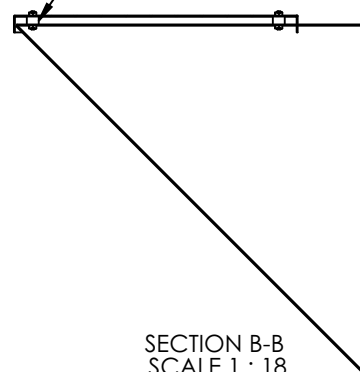
Top



Notes:

1. Welded Construction
2. Black Powder Coat Paint Finish
3. 4 Vibration Isolators Included with each platform

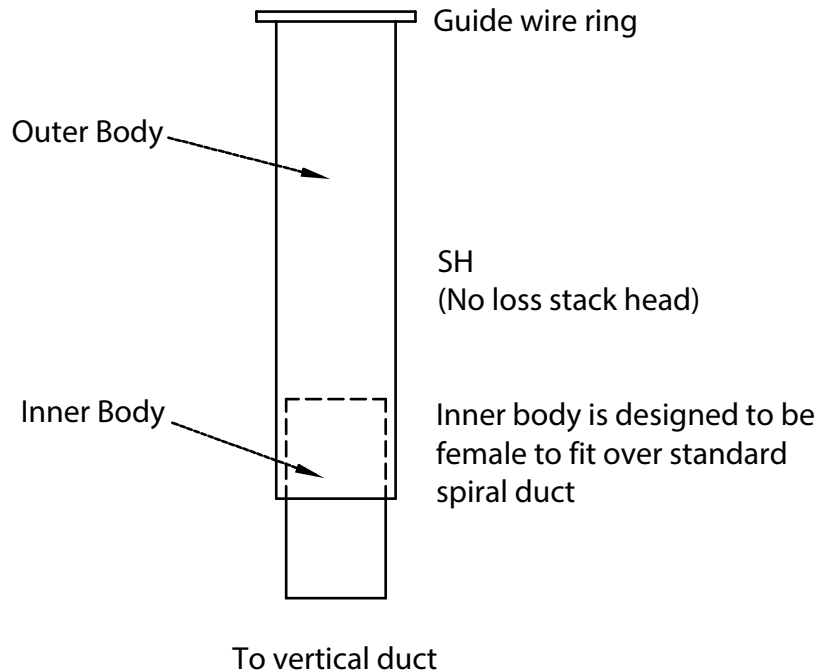
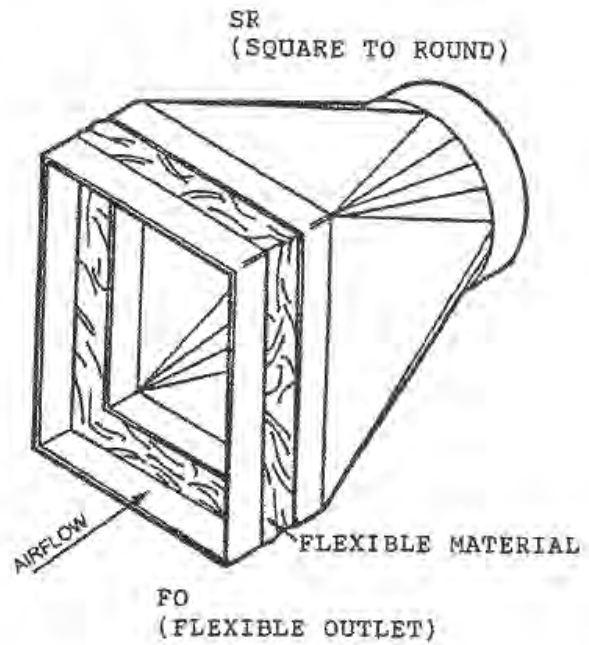
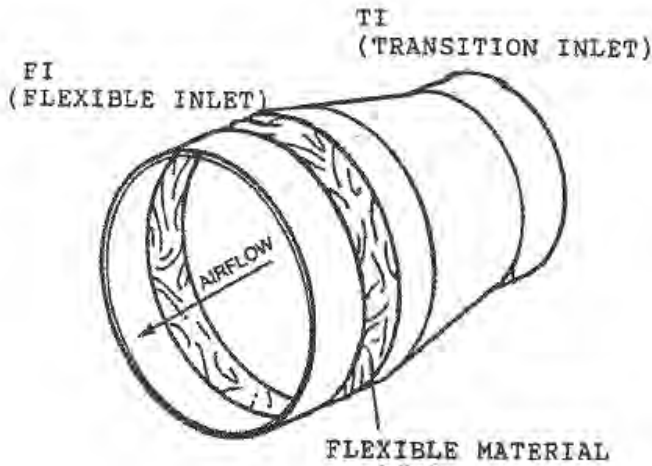
1" Vibration Isolator (4)



**TECHNICAL
INFORMATION**

In the interest of continuing product improvement, we reserve the right to change models, specifications, and/or features without prejudice.

PROJECT: _____
 LOCATION: _____
 ARCHITECT: _____
 ENGINEER: _____
 CONTRACTOR: _____
 DATE: _____ SALES ENGINEER: _____





TECHNICAL INFORMATION

In the interest of continuing product improvement, we reserve the right to change models, specifications, and/or features without prejudice.

PROJECT: _____
LOCATION: _____
ARCHITECT: _____
ENGINEER: _____
CONTRACTOR: _____
DATE: _____ SALES ENGINEER: _____

www.monoxivent.com

info@monoxivent.com

309-794-1000

Page: EF-29

THIS PAGE LEFT INTENTIONALLY BLANK

DISCONTINUED PRODUCT:

AX Fan



TECHNICAL INFORMATION

In the interest of continuing product improvement, we reserve the right to change models, specifications, and/or features without prejudice.

PROJECT: _____

LOCATION: _____

ARCHITECT: _____

ENGINEER: _____

CONTRACTOR: _____

DATE: _____ SALES ENGINEER: _____

www.monoxivent.com

info@monoxivent.com

309-794-1000

Page: EF-30

THIS PAGE LEFT INTENTIONALLY BLANK

DISCONTINUED PRODUCT:

AX Fan

**TECHNICAL
INFORMATION**

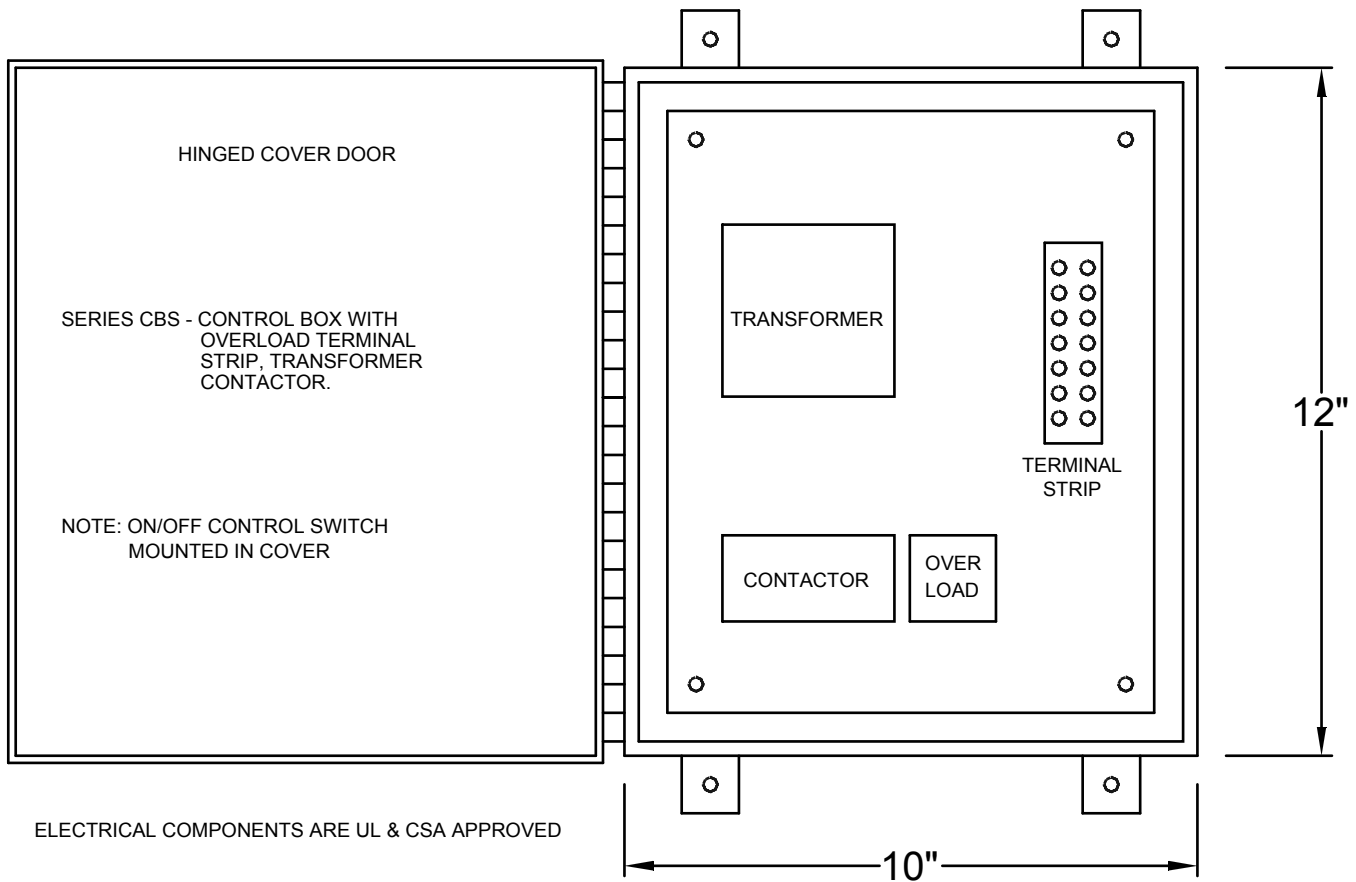
In the interest of continuing product improvement,
we reserve the right to change models,
specifications, and/or features without prejudice.

PROJECT: _____
LOCATION: _____
ARCHITECT: _____
ENGINEER: _____
CONTRACTOR: _____
DATE: _____ SALES ENGINEER: _____

Control Box Starter (CBS) • Electrical Components

NEMA 12 BOX

12" X 10" X 5"



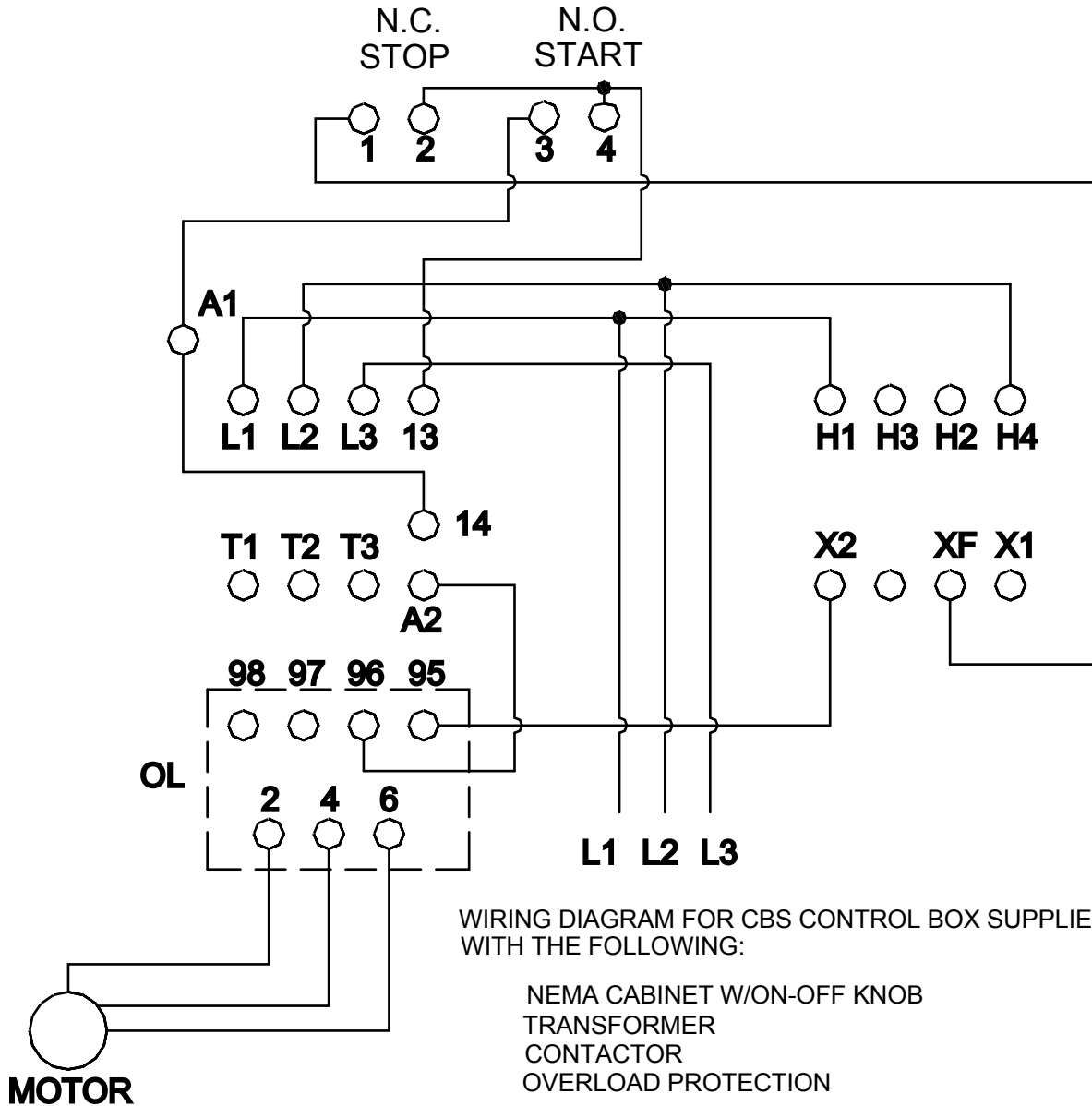
EXHAUST FANS

**TECHNICAL
INFORMATION**

In the interest of continuing product improvement,
we reserve the right to change models,
specifications, and/or features without prejudice.

PROJECT: _____
 LOCATION: _____
 ARCHITECT: _____
 ENGINEER: _____
 CONTRACTOR: _____
 DATE: _____ SALES ENGINEER: _____

Control Box Starter (CBS) • Wiring Diagram



EXHAUST FANS

**TECHNICAL
INFORMATION**

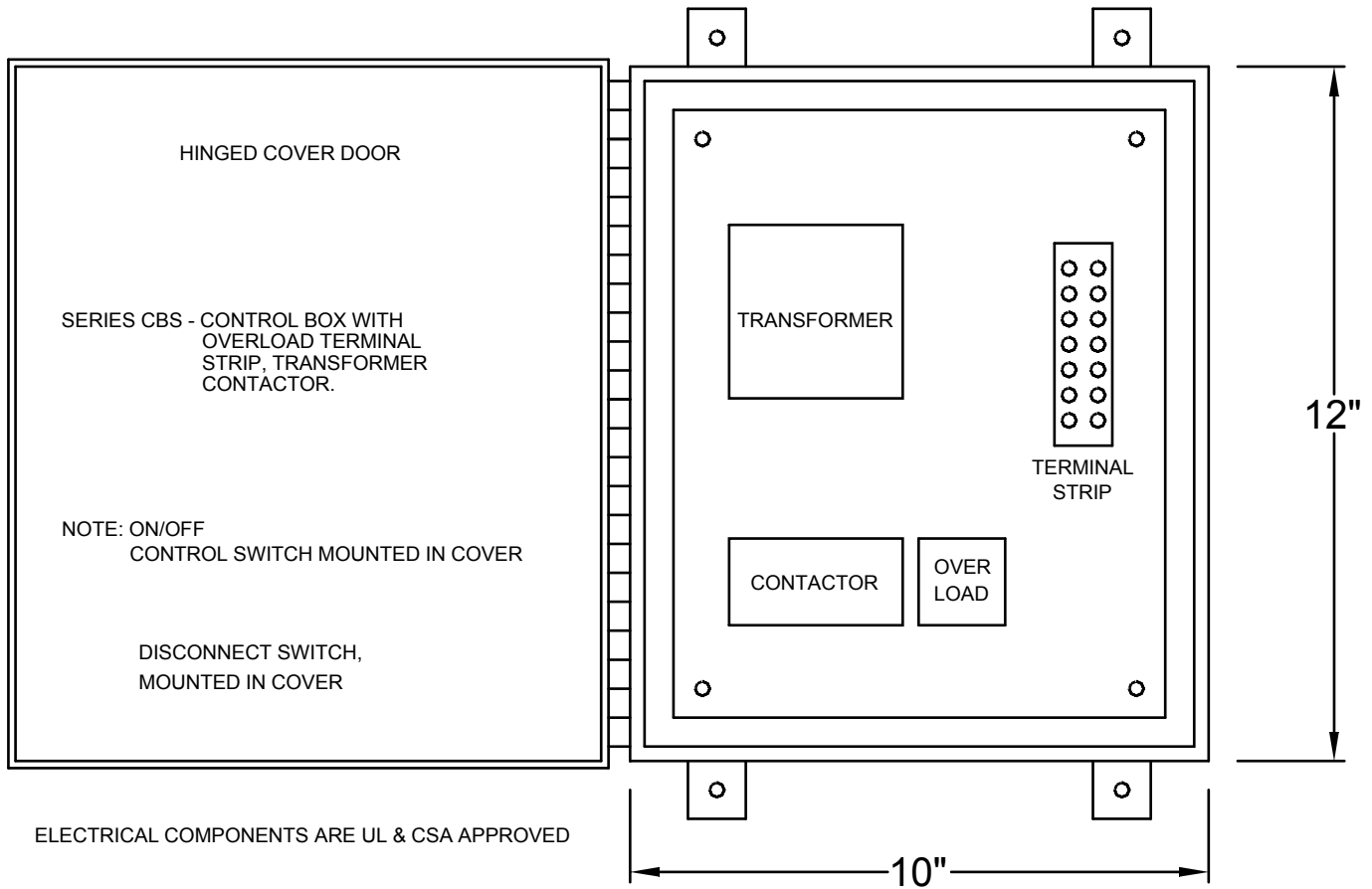
In the interest of continuing product improvement,
we reserve the right to change models,
specifications, and/or features without prejudice.

PROJECT: _____
 LOCATION: _____
 ARCHITECT: _____
 ENGINEER: _____
 CONTRACTOR: _____
 DATE: _____ SALES ENGINEER: _____

Control Box Starter Disconnect Switch (CBS-DS) • Electrical Components

NEMA 12 BOX

12" X 10" X 5"

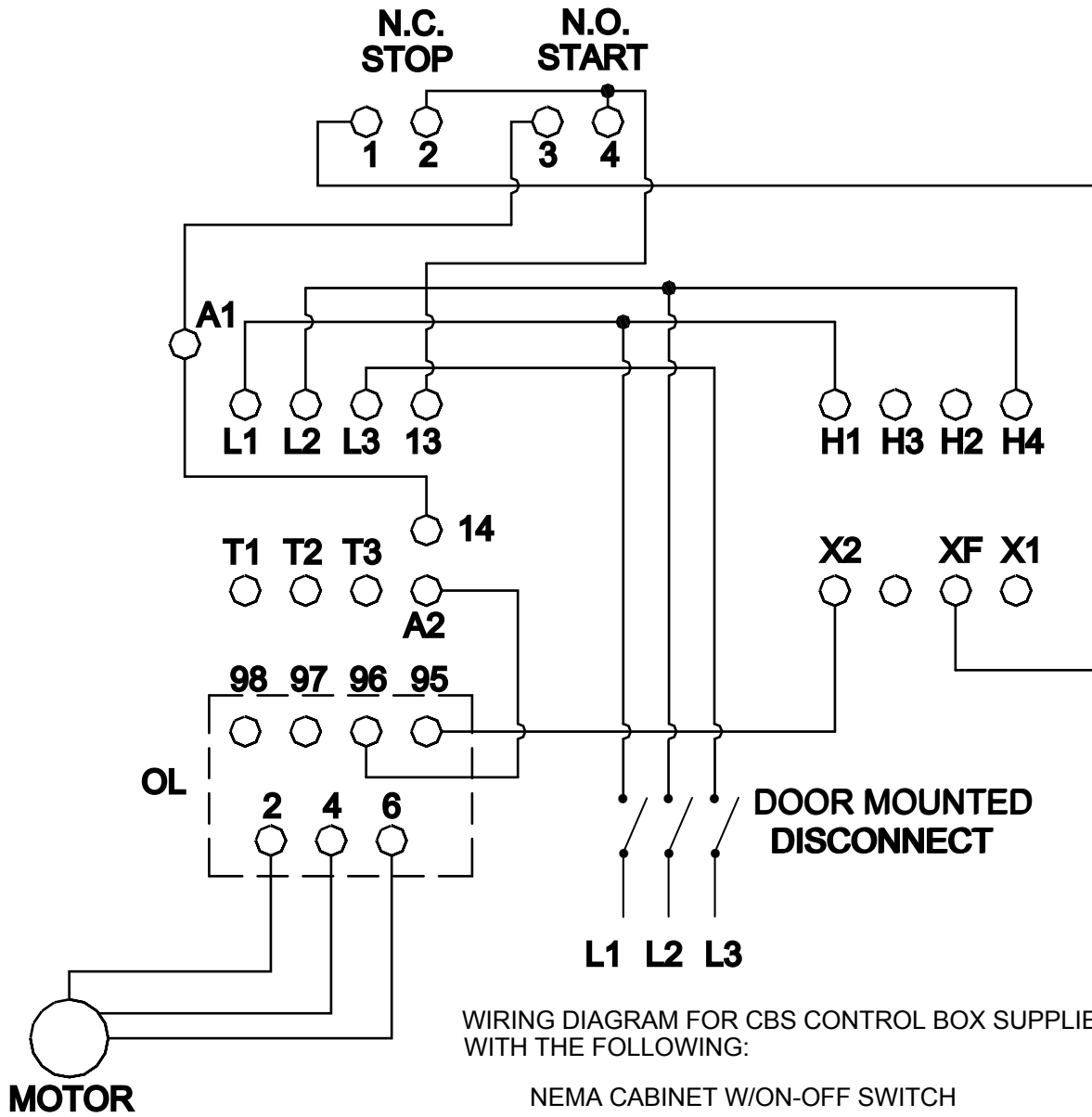


**TECHNICAL
INFORMATION**

In the interest of continuing product improvement,
we reserve the right to change models,
specifications, and/or features without prejudice.

PROJECT: _____
 LOCATION: _____
 ARCHITECT: _____
 ENGINEER: _____
 CONTRACTOR: _____
 DATE: _____ SALES ENGINEER: _____

Control Box Starter Disconnect Switch (CBS-DS) • Wiring Diagram



WIRING DIAGRAM FOR CBS CONTROL BOX SUPPLIED
WITH THE FOLLOWING:

- NEMA CABINET W/ON-OFF SWITCH
- TRANSFORMER
- CONTACTOR
- OVERLOAD PROTECTION

EXHAUST FANS



D Series, Overview
Direct Mount to Arm

TECHNICAL INFORMATION

In the interest of continuing product improvement,
we reserve the right to change models,
specifications, and/or features without prejudice.

PROJECT: _____

LOCATION: _____

ARCHITECT: _____

ENGINEER: _____

CONTRACTOR: _____

DATE: _____ SALES ENGINEER: _____

www.monoxivent.com

info@monoxivent.com

309-794-1000

Page: *EF-35*

THIS PAGE LEFT BLANK INTENTIONALLY

Page moved to EF-8:

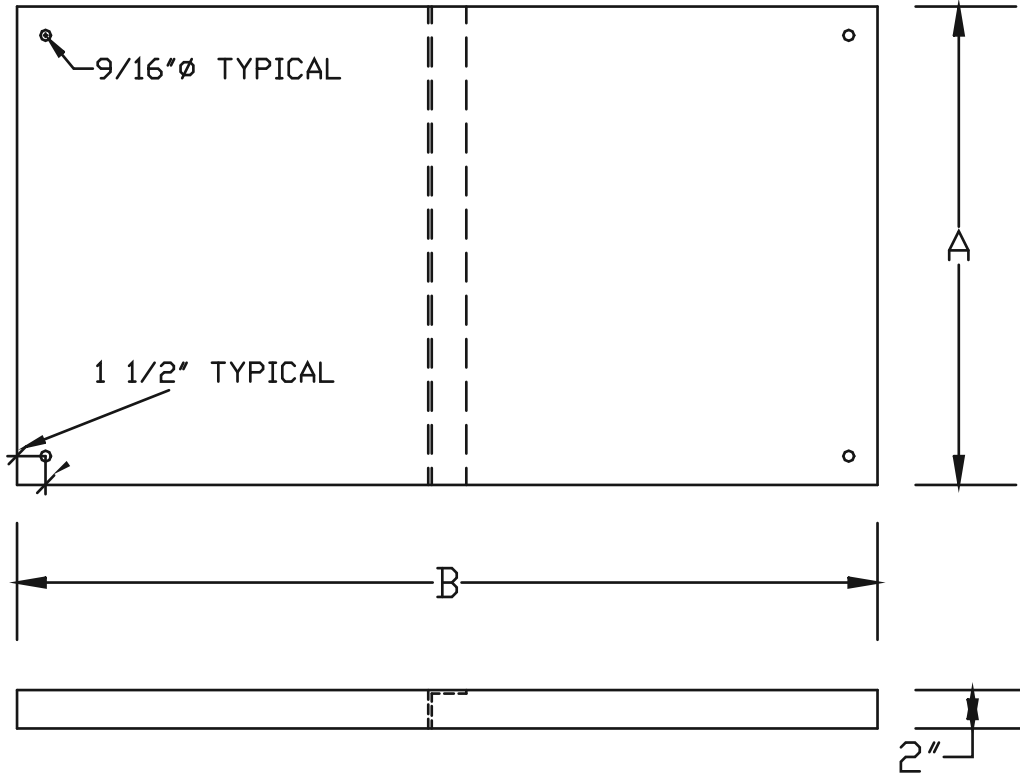
D Series, Overview Direct Mount to Arm

**TECHNICAL
INFORMATION**

In the interest of continuing product improvement,
we reserve the right to change models,
specifications, and/or features without prejudice.

PROJECT: _____
 LOCATION: _____
 ARCHITECT: _____
 ENGINEER: _____
 CONTRACTOR: _____
 DATE: _____ SALES ENGINEER: _____

UHP UNIVERSAL HANGING PLATFORM



NOTES:

UHP FOR FANS: BI-60 thru BI-270

	A	B	Weight
UHP	35"	55"	125 lbs

UHP CONSTRUCTED OF 12-GA. BLACK IRON - POWDER COAT
WITH 2" x 2" x 3/16" ANGLE CENTER SUPPORT

**TECHNICAL
INFORMATION**

In the interest of continuing product improvement, we reserve the right to change models, specifications, and/or features without prejudice.

PROJECT: _____
 LOCATION: _____
 ARCHITECT: _____
 ENGINEER: _____
 CONTRACTOR: _____
 DATE: _____ SALES ENGINEER: _____

**Spring Loaded
Backdraft
Dampers**

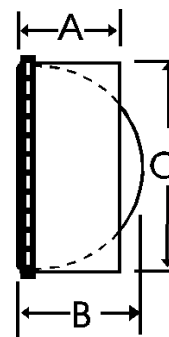
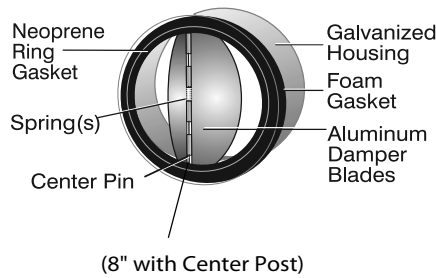
- 20 gauge galvanized steel housing
- Aluminum spring loaded butterfly damper blades
- Damper seals against EDPM rubber gasket in closed position for minimal leakage
- Gasket designed for use in temperatures from - 22°F to 180°F
- Require from 0.04 to 0.08 inches W.G. to begin to open
- May be installed in any position.
- Simple installation - entire assembly inserts into duct
- Exterior foam gaskets assure a tight seal against interior surface of duct

DIAM. IN. (Nominal)	DIAM. MM. (Nominal)	P / N
4"	100	BDD-4
5"	125	BDD-5
6"	150	BDD-6
7"	175	BDD-7
8"	200	BDD-8

NOTE: Not recommended for use with clothes dryer, unless proper provisions are made for regular cleaning. For this application, request P/N 99504, 4" dia. cape damper.

4"- 8" MODELS

STAMPED METAL SLEEVE / CENTER PIN DESIGN



NOMI-NAL	A"	B"	C"
4"	1 3/4	2	3 3/4
5"	2	2 1/2	4 3/4
6"	2 1/2	3	5 3/4
7"	2 1/2	3 1/4	6 3/4
8"	2 3/4	3 3/4	7 9/16



11

Hose

Exhaust Hose from Monoxivent - Ratings:

VEHICLE EXHAUST HOSE

Series	Description	Color	Temp. Rating/Intermittent	Temp. Rating/Continuous
3000	No Crush hose (underfloor systems)	Black	---	600-degrees F
4000	High Temperature VE hose	Orange	1250-degrees F	600-degrees F
5000	Medium Temperature VE hose	Red, Black	550-degrees F	350-degrees F
7300	External Helix hose	Varies	---	275-degrees F
7600	External Helix hose	Varies	---	550-degrees F
7350	External Helix hose	Varies	350-degrees F	350-degrees F
7570	External Helix hose	Varies	660-degrees F	570-degrees F
7850	External Helix hose	Varies	950-degrees F	850-degrees F
7100	External Helix hose	Varies	1100-degrees F	1000-degrees F
7120	External Helix hose	Varies	1380-degrees F	1200-degrees F
7150	External Helix hose	Varies	1680-degrees F	1500-degrees F
7210	External Helix hose	Varies	2370-degrees F	2010-degrees F

WELDING EXTRACTION HOSE

Series	Description	Color/Notes
6000	Welding Extraction hose	Black - Flame retardant, vinyl coated, polyester embeded steel-wired helix, permanently bonded, smooth inner surface, temperature range from: -40 to 275-degrees F.

METAL INTERLOCK HOSE

Series	Description	Notes
1000	Stainless Steel	Rating up to 1800-degrees F, constructed of 302 stainless steel, floppy interlock construction.
2000	Galvanized	Rating up to 500-degrees F, constructed of electro galvanized carbon steel, floppy interlock construction.

* Note: The outline, above, shows typical uses for Monoxivent hose. Some models may be utilized for other applications.



Series 1000 & 2000
Metal Interlocking Hose

TECHNICAL INFORMATION

In the interest of continuing product improvement,
we reserve the right to change models,
specifications, and/or features without prejudice.

PROJECT: _____
LOCATION: _____
ARCHITECT: _____
ENGINEER: _____
CONTRACTOR: _____
DATE: _____ SALES ENGINEER: _____

www.monoxivent.com

info@monoxivent.com

309-794-1000

Page: HS-1

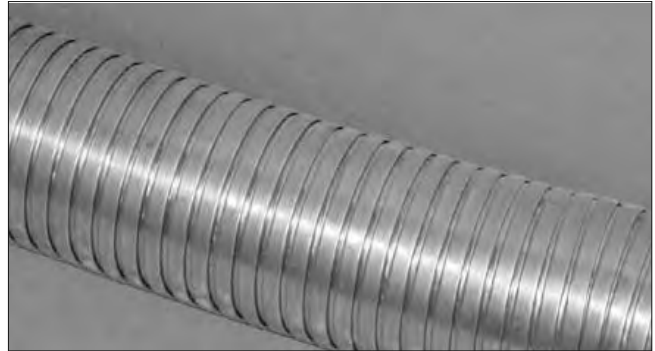
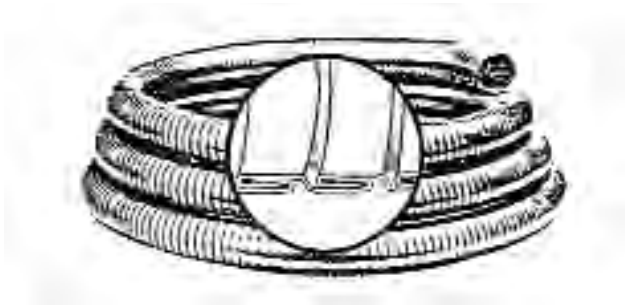
FLOPPY TYPE

METAL INTERLOCK HOSE

All Monoxivent metal interlock hose is specially designed and manufactured to meet the demands of a user friendly product. Our metal hose offers a unique floppy type interlock construction so the hose will move and bend extremely easy for the user and yet maintain minimum leakage, while being an unpacked hose. We offer the floppy construction as a standard feature for both the stainless and galvanized hose. This ensures our customer complete satisfaction in the user friendly construction of our products.

SERIES 1000: Constructed of 302 Stainless Steel
Strip Thickness: .010 - .015 (Depending on Diameter)
Floppy Interlock Construction
Temperature Rating: 60 to 1800 Degrees Unpacked

SERIES 2000: Constructed of Electro Galvanized Carbon Steel Strip
Thickness: .010 - .015 (Depending on Diameter)
Floppy Interlock Construction
Temperature Rating: 450-500 Degrees F
Unpacked



Note: The Monoxivent metal interlock hose has the same pressure loss performance as standard smooth bore hard duct. Please see hard duct charts within this section, thank you.



Round Hard Duct
Graph Equals Performance
of Series 1000 & 2000 Hose

TECHNICAL INFORMATION

In the interest of continuing product improvement, we reserve the right to change models, specifications, and/or features without prejudice.

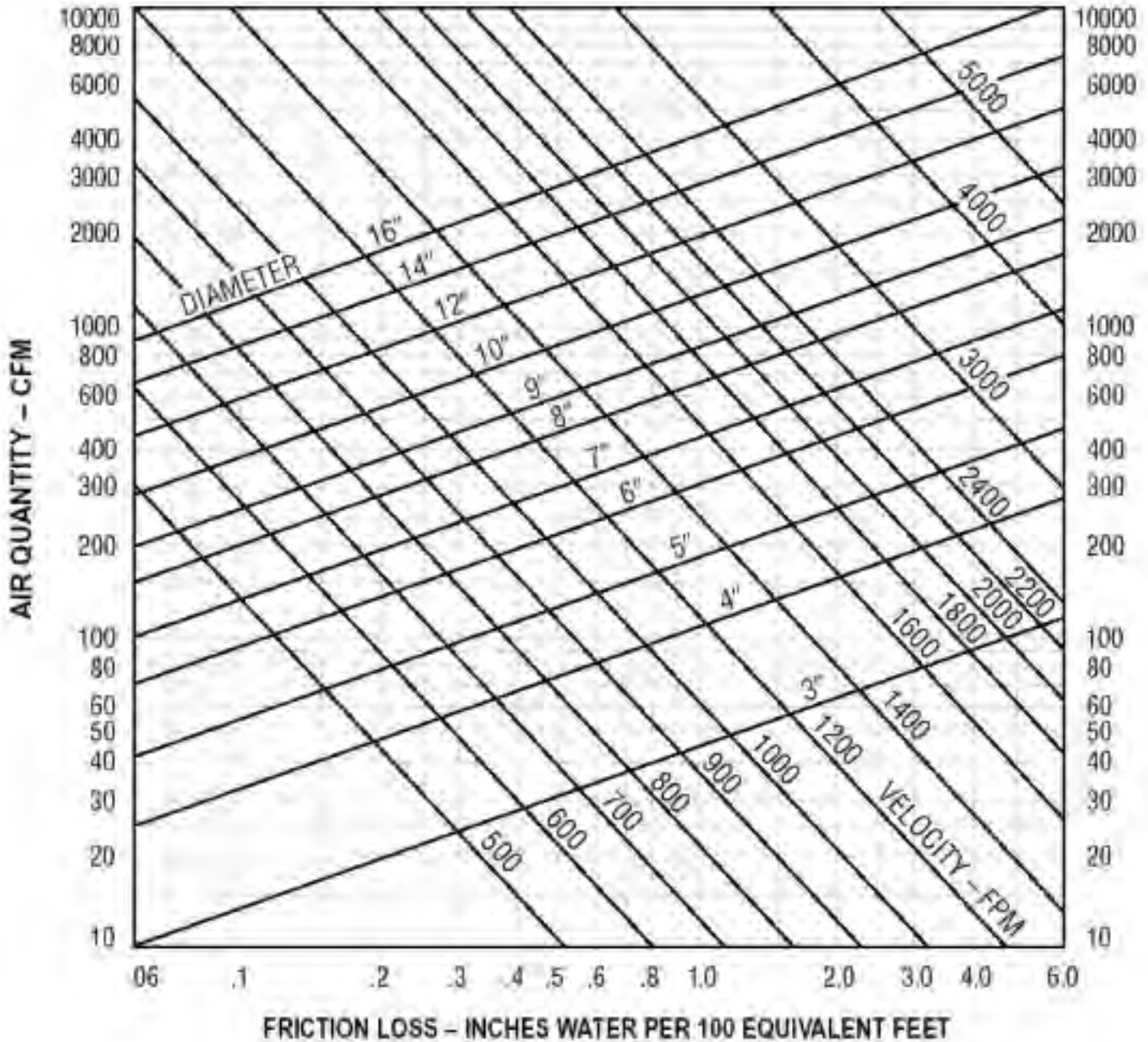
PROJECT: _____
 LOCATION: _____
 ARCHITECT: _____
 ENGINEER: _____
 CONTRACTOR: _____
 DATE: _____ SALES ENGINEER: _____

www.monoxivent.com

info@monoxivent.com

309-794-1000

Page: HS-2





Series 3000
Neoprene Extraction
Hose, No Crush Type

TECHNICAL INFORMATION

In the interest of continuing product improvement, we reserve the right to change models, specifications, and/or features without prejudice.

PROJECT: _____
 LOCATION: _____
 ARCHITECT: _____
 ENGINEER: _____
 CONTRACTOR: _____
 DATE: _____ SALES ENGINEER: _____

www.monoxivent.com

info@monoxivent.com

309-794-1000

Page: HS-3

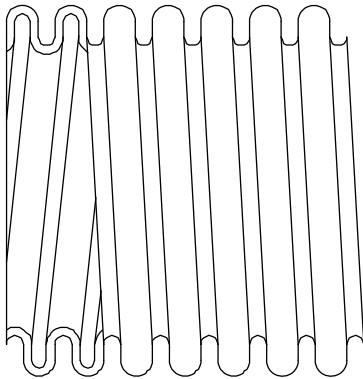
CONVOLUTED HOSE PRODUCT INFORMATION SERIES 3000

The convoluted neoprene hose has been specially formulated to with stand up to 600-degree (F) temperatures for tailpipe exhaust, while maintaining maximum flexibility and durability.

**600-degree F
Continuous Duty**

TUBING CONFIGURATION:

The hose is manufactured under several exclusive processes. The hose is spinally-convoluted and non-reinforced. The spiral (helical) convolutions permit: (1) - the use of threaded adapters, which can be tightly screwed onto the hose, (all the listed accessories are factory threaded so each item can be simply screwed onto the hose); (2) - the convolutions also permit the mating of one size hose to the next larger or smaller as well as mating hose lengths of the same diameter to another by the unique tapered-lock hose and (3) - the hose's solid rubber (non reinforced) construction of its convolutions insures 90% HOSE RECOVERY



STANDARD LENGTH: 11'

DIAMETERS AVAILABLE: 2", 3", 4", 5", 6"

<u>Hose I.D. (Nominal)</u>	<u>CFM</u>	<u>Friction Loss Per Foot (In Inches of Water)</u>
2 1/2"	50	.55"
2 1/2"	100	***
3"	100	.344"
3"	150	.48"
3 1/2"	200	.38"
4"	200	.19"
4"	300	.38"
5"	350	.095"
5"	400	.150"
6"	400	.17"
6"	600	.38"



Series 4000 High-Temperature Exhaust Extraction Hose

TECHNICAL INFORMATION

In the interest of continuing product improvement, we reserve the right to change models, specifications, and/or features without prejudice.

PROJECT: _____
 LOCATION: _____
 ARCHITECT: _____
 ENGINEER: _____
 CONTRACTOR: _____
 DATE: _____ SALES ENGINEER: _____

www.monoxivent.com

info@monoxivent.com

309-794-1000

Page: HS-4

CONSTRUCTION: SILICONE/NOMEX

NOTE - The Series 4000 extraction hose is used for both overhead hose reels and conventional overhead systems.

Exhaust extraction hose is a double ply hose with an inner liner ply of woven fiberglass coated silicone rubber. A helically wound spring steel wire is imbedded between the inner liner ply and an exterior ply of woven Nomex coated with silicone rubber. The wire insures maximum flexibility and minimum diameter restrictions in sharp bend areas. The assembly is double wound with a treated Nomex cord and heat vulcanized to provide a greater strength and serviceability.

1250-degree F
 Intermittent Exhaust Temperatures

1000-degree F
 Interior Temperature,
 per MIL PFR 62028

600-degree F
 Continuous Duty, Baking Test

Standard Diameters	4"	5"	6"	8"	10"	12"	I/O
Fiberglass Inner Ply Thickness	.015	.015	.015	.015	.015	.015	Inches
Nomex Outer Ply Thickness	.025	.025	.025	.025	.025	.025	Inches
Wire Gauge	.060	.070	.080	.080	.080	.080	Inches
Wall Thickness	.100	.110	.120	.125	.125	.125	Inches
Helix Pitch	.750	.880	1.000	1.000	1.000	1.000	Inches
Weight Per Foot	8.260	10.520	12.880	17.390	22.400	23.000	Ounces
Bending Radius	2.08	2.52	3.00	4.00	6.00	8.40	Inches

- * **Temperature Range: - 80 degrees F to 600 degrees F (Baking Test)**
 This product meets Military Spec: MIL PFR 62028 - Paragraph 4.7.8, 72 Hours at 1000 degrees F.
 This product has a temperature rating at 1250 degrees F for intermittent use.
- * **Standard Lengths: 16', 20', 24' (Longer Lengths Available);**
Standard Diameters: 4", 5", 6", 8" Optional Diameters (10", 12")

Series 4000 extraction hose meets the requirements of the United States Air Force for low temperature flexibility and high temperature stability.

NOTE - The above diameters and lengths of the 4000 series hose are listed as standard. Other diameters and lengths are also available. Please contact MONOXIVENT for your Request.



HOSE



Series 5000
Exhaust Extraction Hose
Medium Temperature

TECHNICAL INFORMATION

In the interest of continuing product improvement, we reserve the right to change models, specifications, and/or features without prejudice.

PROJECT: _____
 LOCATION: _____
 ARCHITECT: _____
 ENGINEER: _____
 CONTRACTOR: _____
 DATE: _____ SALES ENGINEER: _____

www.monoxivent.com

info@monoxivent.com

309-794-1000

Page: HS-5

The series 5000 hose is used for hose reels, conventional overhead, underground, welding, industrial uses, light duty material handling and agricultural use. The unique construction of the series 5000 hose and its quality offers wide use and applications.

550-degree F
Intermittent Use

350-degree F
Continuous Duty

Construction:

- Unique fully automated extrusion process assuring strength and durability.
- High quality rubber, impregnated polyester with fully enclosed helix, is abrasion-resistant and has strong characteristics against weather, oils and ozone.
- Series 5000 hose is resistant to dynamic fatigue.
- The method of manufacturing is a hot air welding process and does not use any type of adhesives/glues.
- The hose is manufactured with an additional outer wearstrip for protection and longevity.
- The hose is supplied in black with a red wearstrip.



Temperature Rating:

- Under a controlled environment, the 5000 series hose has been tested to withstand up to 550°F (intermittent use)

Characteristics:

- Good flexibility, good abrasion resistance, and low flow resistance.
- Listed as a UL 94V-0 flame retardant

INSIDE DIAMETER (IN)	APPROX. WEIGHT (LBS/FT)	WALL THICKNESS (IN)	CL BEND RADIUS (IN)	COMPRESSION RATIO	NEGATIVE PRESSURE (IN/HG)	WORKING PRESSURE (PSI)
4	.6	N/A	4	2:1	12	15
5	.75	N/A	5	2:1	10	12
6	.9	N/A	5.3	2:1	7	7
8	1.1	N/A	7.5	2:1	5	5
10	1.5	N/A	8.5	2:1	3	4
12	2	N/A	10	2:1	2	3

Note: Technical data based on 2 ft. straight lengths of hose at 72-degrees F.



Series 4000/5000
Exhaust Extraction Hose
Pressure Drop Chart

TECHNICAL INFORMATION

In the interest of continuing product improvement, we reserve the right to change models, specifications, and/or features without prejudice.

PROJECT: _____
 LOCATION: _____
 ARCHITECT: _____
 ENGINEER: _____
 CONTRACTOR: _____
 DATE: _____ SALES ENGINEER: _____

www.monoxivent.com

info@monoxivent.com

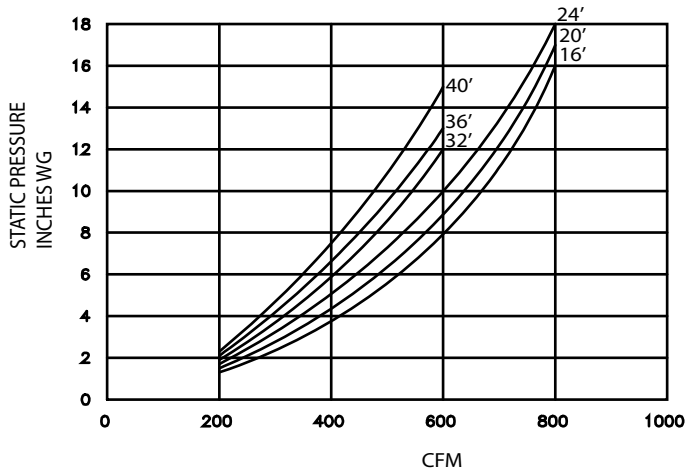
309-794-1000

Page: HS-6

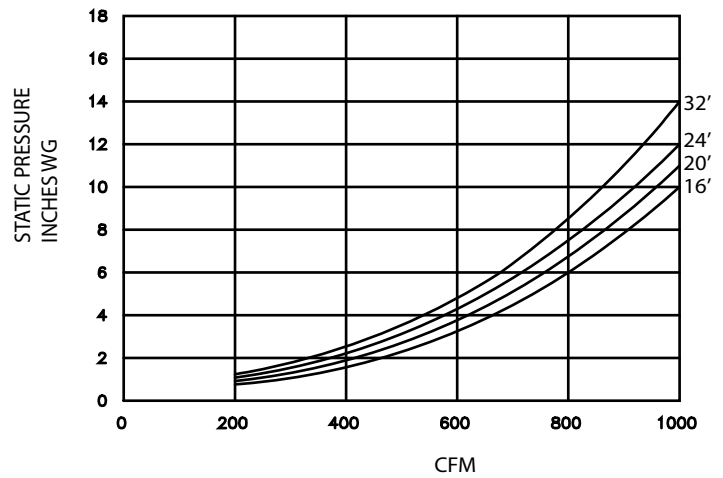
GRAPH TECHNICAL DATA REFLECTS HOSE REEL WITH HOSE

(EXTRACTION HOSE SERIES - 4000/5000 - IS STANDARD ON ALL HOSE REELS)

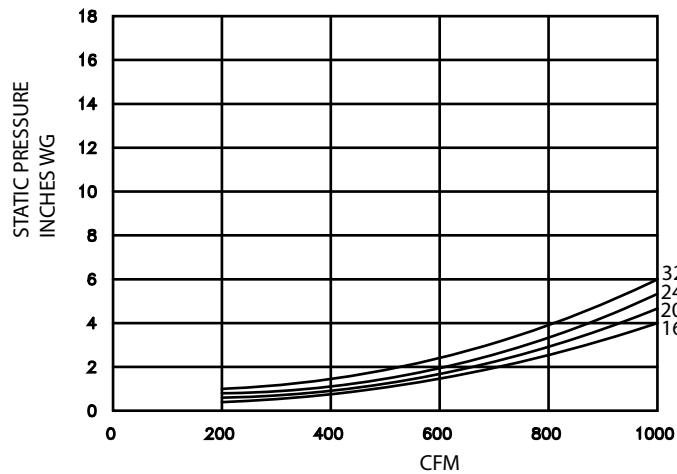
DATA BASED ON 4" DIAMETER HOSE



DATA BASED ON 5" DIAMETER HOSE



DATA BASED ON 6" DIAMETER HOSE





TECHNICAL INFORMATION

In the interest of continuing product improvement, we reserve the right to change models, specifications, and/or features without prejudice.

PROJECT: _____
LOCATION: _____
ARCHITECT: _____
ENGINEER: _____
CONTRACTOR: _____
DATE: _____ SALES ENGINEER: _____

www.monoxivent.com

info@monoxivent.com

309-794-1000

Page: HS-7

THIS PAGE LEFT INTENTIONALLY BLANK

DELETED PERFORMANCE INFORMATION:

Series 4000/5000 Performance Information Straight Duct Run



Series 6000
Exhaust Extraction Hose
Medium Temperature

TECHNICAL INFORMATION

In the interest of continuing product improvement, we reserve the right to change models, specifications, and/or features without prejudice.

PROJECT: _____
 LOCATION: _____
 ARCHITECT: _____
 ENGINEER: _____
 CONTRACTOR: _____
 DATE: _____ SALES ENGINEER: _____

www.monoxivent.com

info@monoxivent.com

309-794-1000

Page: HS-8

The series 6000 extraction hose may be used for many applications. The main use for the hose is for "welding smoke capture". Other uses include: venting undesirable odors and fumes, light dust collection, hot and cool air, and other light materials. It is not recommended for handling liquids, solvent fumes, or highly abrasive materials.

**275-degree F
Continuous Duty**

Construction:

- Single-ply black PVC vinyl coated polyester fabric hose reinforced with a spring steel wire helix
- Color: Black
- Sizes range from 3" to 12" diameter

Temperature Rating:

- -20°F to 275°F

Characteristics:

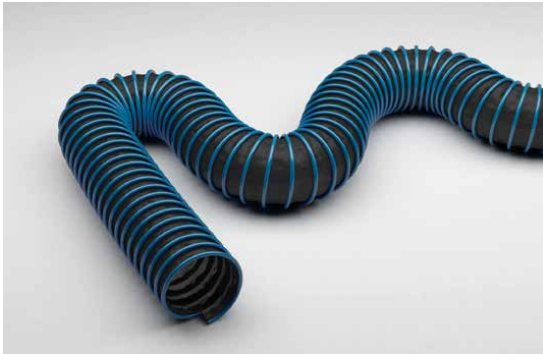
- Great chemical & moisture resistance
- Low friction loss
- Listed as a UL 94V-0 flame retardant



INSIDE DIAMETER (IN)	APPROX. WEIGHT (LBS/FT)	WALL THICKNESS (IN)	CL BEND RADIUS (IN)	COMPRESSION RATIO	NEGATIVE PRESSURE (IN/HG)	WORKING PRESSURE (PSI)
3	.5	N/A	3.5	2.5:1	29	26
4	.65	N/A	4	2.5:1	24	13
5	.75	N/A	4.5	2.5:1	17	11
6	.85	N/A	5	4:1	16	6
7	1.1	N/A	6	4:1	12	5
8	1.25	N/A	7	4:1	9	4
10	1.57	N/A	8.6	4:1	4	3
12	1.88	N/A	10.3	4:1	3	2.5

Note: Technical data based on 2 ft. straight lengths of hose at 72-degrees F.

EXTERNAL HELIX HOSE FOR TEMPERATURES UP TO 350°F



SERIES 7350

Material

Hose wall: neoprene-coated polyester fabric
External helix: galvanized steel with additional plastic abrasion protector

Applications

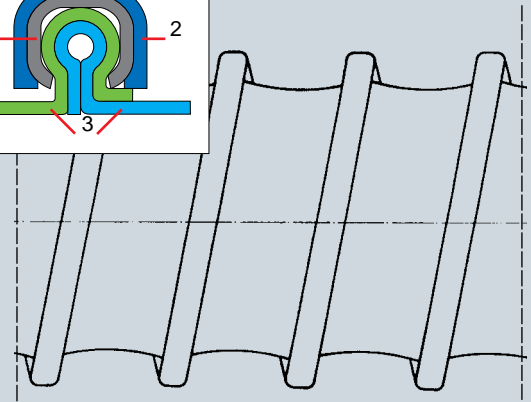
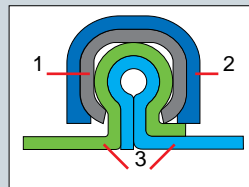
- Medium duty exhaust gas extraction from gas or diesel engines
- All normal exhaust extraction systems, such as, hose reel and various above-floor exhaust extraction

Properties

- Flame-resistant to UL94 criteria
- Vibration-proof
- Good flow characteristics
- Extremely flexible
- Compressibility 1:5
- Small bend radius
- Super lightweight
- Extra strength
- To maximize life of duct and exhaust system effectiveness, it is recommended to utilize a negative pressure exhaust system and introduce ambient air at the inlet.

Construction

1. External helix
2. Additional abrasion protector
3. Hose wall: neoprene-coated polyester fabric



Temperature Range*

- Exhaust gas temperatures up to +350°F

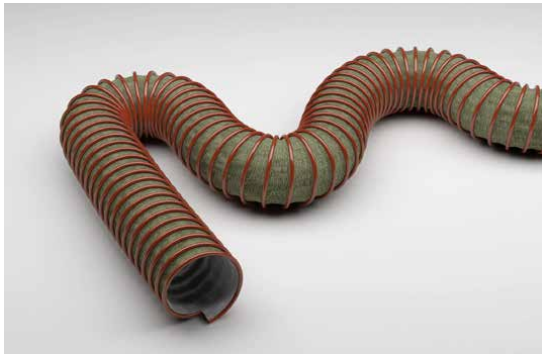
*Hoses used for vehicle exhaust extraction, or operating near maximum temperature, must be used within a properly designed fan system to avoid damaging the hose.

Dia (in.)	Outer Dia (in.)	Negative (in. w.c.)	*Bending radius (in.)	Weight (lbs./ft.)
4.00	4.68	40	2.40	0.53009
5.00	5.68	26	3.00	0.63745
6.00	6.68	18	3.60	0.98637
8.00	8.68	10	4.80	1.18096

* Referring to the inner side of the elbow of hose.

The above mentioned data refers to an average and ambient temperature of 68°F. Subject to technical changes and color variations.

EXTERNAL HELIX HOSE FOR TEMPERATURES UP TO 570°F



SERIES 7570

Material

Hose wall double layer:

Inner hose wall: heat resistant impregnated glass fabric

Outer hose wall: special coated high temperature fabric

External helix: galvanized steel with additional plastic abrasion protector

Applications

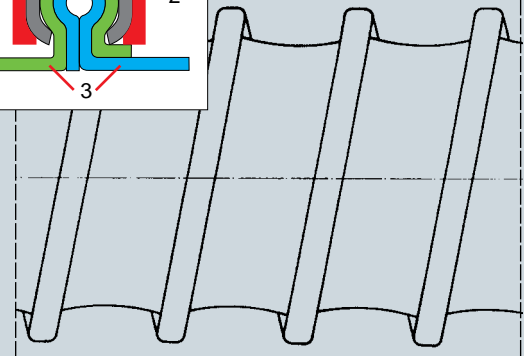
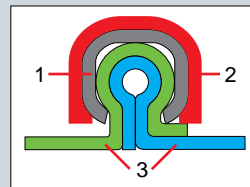
- High stress when extracting exhaust gas from spark ignition or diesel engines, especially suitable for trucks or construction machines
- All normal exhaust extraction systems, such as, hose reel and various above-floor exhaust extraction

Properties

- Flame-resistant
- Vibration-proof
- High resistance to mechanical loads
- Extremely flexible
- Compressibility 1:5
- Small bend radius
- Super lightweight
- Extra strength
- Abrasion-resistant
- To maximize life of duct and exhaust system effectiveness, it is recommended to utilize a negative pressure exhaust system and introduce ambient air at the inlet.

Construction

1. External helix
2. Additional abrasion protector
3. Hose wall: special-coated high-temperature fabric



Temperature Range*

- Exhaust gas temperatures up to +570°F, short times up to +660°F, when exhaust gas funnels are used properly and enough fresh air is utilized

*Hoses used for vehicle exhaust extraction, or operating near maximum temperature, must be used within a properly designed fan system to avoid damaging the hose.

Dia (in.)	Outer Dia (in.)	Negative (in. w.c.)	*Bendin radius (in.)	Weight (lbs./ft.)
4.00	4.68	32	2.40	0.90000
5.00	5.68	20	3.00	1.00000
6.00	6.68	14	3.60	1.16000
8.00	8.68	8	5.60	1.45000

* Referring to the inner side of the elbow of hose.

The above mentioned data refers to an average and ambient temperature of 68°F. Subject to technical changes and color variations.

EXTERNAL HELIX HOSE FOR TEMPERATURES UP TO 850°F



SERIES 7850

Material

Hose wall: high temperature silicone coated glass fabric
External helix: galvanized steel

Applications

- Hot air
- Suction plants
- Furnace construction
- Iron and steel works
- Engine construction
- Radiant heat protection
- Primarily suited as extraction hose
- Low pressure applications

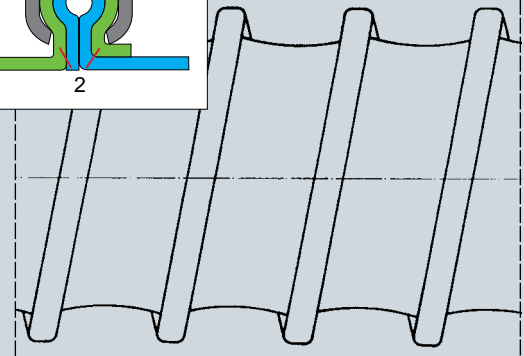
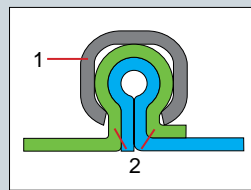
Properties

- Flame-resistant
- Very high temperature resistance
- Highly flexible
- Extreme compressibility 1:6
- Small bend radius
- External steel helix protects against abrasion
- Suitable for continually flexing
- Does not emit airborne fibers
- Special clamping method guarantees high tensile strength between hose material and external helix
- To maximize life of duct and exhaust system effectiveness, it is recommended to utilize a negative pressure exhaust system and introduce ambient air at the inlet.

* Larger sizes available, consult factory for pricing.

Construction

1. External helix
2. Hose wall: high temperature silicone coated glass fabric, asbestos free



Temperature Range*

- -5°F up to +850°F
- Intermittent to +950°F

*Hoses used for vehicle exhaust extraction, or operating near maximum temperature, must be used within a properly designed fan system to avoid damaging the hose.

Dia (in.)	Positive (in. w.c.)	Negative (in. w.c.)	*Bending radius (in.)	Weight (lbs./ft.)
3.00	189	62	1.80	0.65
4.00	121	35	2.40	0.85
5.00	84	22	3.00	1.17
6.00	63	16	3.60	1.28
7.00	49	12	4.20	1.49
8.00	40	9	4.80	1.70
10.00	28	6	7.00	2.13
12.00	21	4	8.40	2.56
14.00	16	3	9.80	2.99
16.00	13	2	11.20	3.46

* Referring to the inner side of the elbow of hose.

The above mentioned data refers to an average and ambient temperature of 68°F. Subject to technical changes and color variations.

EXTERNAL HELIX HOSE FOR TEMPERATURES UP TO 1000°F



SERIES 7100

Material

Hose wall double layer:

Inner wall: heat resistant impregnated glass fabric
Outer wall: special coated high temperature fabric, asbestos free, reinforced by woven in stainless steel wire
External helix: galvanized steel

Applications

- Hot air
- Suction plants
- Furnace construction
- Iron and steel works
- Engine construction
- Radiant heat protection
- Primarily suited as extraction hose
- Low pressure applications

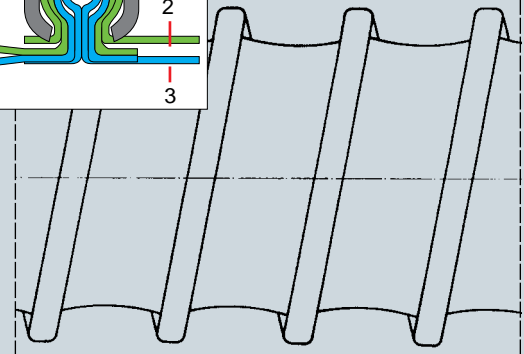
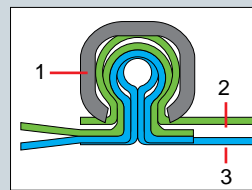
Properties

- Flame-resistant
- Very high temperature resistance
- Silicone-free
- Highly flexible
- Extreme compressibility 1:6
- Small bend radius
- External steel helix protects against abrasion
- Suitable for continually flexing
- Special clamping method guarantees high tensile strength between hose material and external helix
- To maximize life of duct and exhaust system effectiveness, it is recommended to utilize a negative pressure exhaust system and introduce ambient air at the inlet.

* Larger sizes available, consult factory for pricing.

Construction

1. External helix
2. Hose wall: high temperature silicone coated glass fabric, asbestos free



Temperature Range*

- -5°F up to +1000°F
- Intermittent to +1100°F
- Small amounts of smoke maybe given off when used under positive pressure or with low extraction rates.

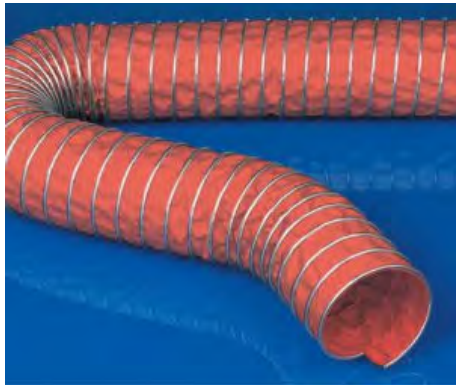
*Hoses used for vehicle exhaust extraction, or operating near maximum temperature, must be used within a properly designed fan system to avoid damaging the hose.

Dia (in.)	Positive (in. w.c.)	Negative (in. w.c.)	*Bending radius (in.)	Weight (lbs./ft.)
3.00	189	62	1.80	0.65
4.00	121	35	2.40	0.83
5.00	84	22	3.00	0.92
6.00	63	16	3.60	1.14
8.00	40	9	4.80	1.52
10.00	28	6	7.00	1.64
12.00	21	4	8.40	1.97
14.00	16	3	9.80	2.30
16.00	13	2	11.20	2.69
18.00	11	2	14.40	3.15

* Referring to the inner side of the elbow of hose.

The above mentioned data refers to an average and ambient temperature of 68°F. Subject to technical changes and color variations.

EXTERNAL HELIX HOSE FOR TEMPERATURES UP TO 1200°F



SERIES 7120

Material

Hose wall double layer:

Inner wall: heat resistant impregnated glass fabric
Outer wall: special coated high temperature fabric, asbestos free, reinforced by woven in stainless steel wire
External helix: galvanized steel

Applications

- Exhaust fume extraction from high performance test beds in the motor vehicle industries
- Diesel exhaust
- Automotive manufacturing
- Aircraft manufacturing
- Shipbuilding industry
- Shipbuilding industry
- Defense industry
- General engineering
- Suction plants
- Radiant heat protection
- Primarily suited as extraction hose

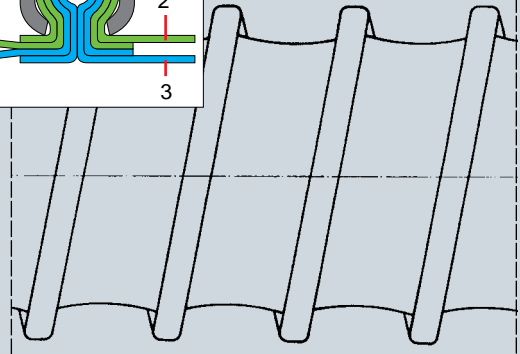
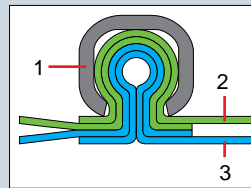
Properties

- Flame-resistant
- Very high temperature resistance
- Silicone-free
- Highly flexible
- Extreme compressibility 1:6
- Small bend radius
- External steel helix protects against abrasion
- Suitable for continually flexing
- Special clamping method guarantees high tensile strength between hose material and external helix
- To maximize life of duct and exhaust system effectiveness, it is recommended to utilize a negative pressure exhaust system and introduce ambient air at the inlet.

* Larger sizes available, consult factory for pricing.

Construction

1. External helix
2. Outer wall: special coated high temperature fabric
3. Inner wall: heat resistant fabric



Temperature Range*

- -5°F up to +1200°F
- Intermittent to +1300°F
- Small amounts of smoke may be given off when used under positive pressure or with low extraction rates.

*Hoses used for vehicle exhaust extraction, or operating near maximum temperature, must be used within a properly designed fan system to avoid damaging the hose.

Dia (in.)	Positive (in. w.c.)	Negative (in. w.c.)	*Bending radius (in.)	Weight (lbs./ft.)
3.00	201	102	1.80	0.83
4.00	141	67	2.40	1.07
5.00	109	42	3.00	1.33
6.00	69	30	3.60	1.58
8.00	49	17	4.80	2.10
10.00	39	12	7.00	2.63
12.00	33	8	8.40	3.16
14.00	20	6	9.80	3.67
16.00	16	4	11.20	4.26
18.00	12	4	14.40	4.94

* Referring to the inner side of the elbow of hose.
The above mentioned data refers to an average and ambient temperature of 68°F.
Subject to technical changes and color variations.

EXTERNAL HELIX HOSE FOR TEMPERATURES UP TO 1500°F



SERIES 7150

Material

Hose wall: Two-layer construction, inner and outer hose wall asbestos-free, high-temperature fabric, specially coated with heat-stabilizers, reinforced by woven in stainless steel wire
External helix: galvanized steel

Applications

- Exhaust fume extraction from high performance test beds in the motor vehicle industries
- Diesel exhaust
- Automotive manufacturing
- Aircraft manufacturing
- Shipbuilding industry
- Shipbuilding industry
- Defense industry
- General engineering
- Suction plants
- Radiant heat protection
- Primarily suited as extraction hose

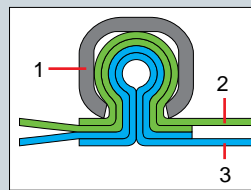
Properties

- Flame-resistant
- Very high temperature resistance
- Silicone-free
- Highly flexible
- Compressibility 1:3
- Small bend radius
- Good vacuum resistance
- External steel helix protects against abrasion
- Special clamping method guarantees high tensile strength between hose material and external helix
- To maximize life of duct and exhaust system effectiveness, it is recommended to utilize a negative pressure exhaust system and introduce ambient air at the inlet.

* Larger sizes available, consult factory for pricing.

Construction

1. External helix
2. Outer wall: special coated high temperature fabric
3. Inner wall: heat resistant fabric



Temperature Range*

- -5°F up to +1500°F
- Intermittent to +1680°F
- Small amounts of smoke maybe given off when used under positive pressure or with low extraction rates.

*Hoses used for vehicle exhaust extraction, or operating near maximum temperature, must be used within a properly designed fan system to avoid damaging the hose.

Dia (in.)	Positive (in. w.c.)	Negative (in. w.c.)	*Bending radius (in.)	Weight (lbs./ft.)
3.00	201	102	1.80	0.83
4.00	141	67	2.40	1.07
5.00	109	42	3.00	1.33
6.00	69	30	3.60	1.58
8.00	49	17	4.80	2.10
10.00	39	12	7.00	2.63
12.00	33	8	8.40	3.16
14.00	20	6	9.80	3.67
16.00	16	4	11.20	4.26
18.00	12	4	14.40	4.94

* Referring to the inner side of the elbow of hose.
The above mentioned data refers to an average and ambient temperature of 68°F.
Subject to technical changes and color variations.

EXTERNAL HELIX HOSE FOR TEMPERATURES UP TO 2010°F



SERIES 7210

Material

Hose wall: Three-layer construction, asbestos-free, high-temperature fabrics, special coated with heat-stabilizers
External helix: Stainless steel

Applications

- Extremely high temperatures
- Exhaust fume extraction from large engines and high performance test beds in the motor vehicle industries
- Extraction under stray sparks
- Shipbuilding industry
- Vehicle and engine construction
- Diesel exhaust
- Extremely high temperatures
- Exhaust fume extraction from large engines and high performance test beds in the motor vehicle industries
- Extraction under stray sparks
- Shipbuilding industry
- Vehicle and engine construction
- Diesel exhaust

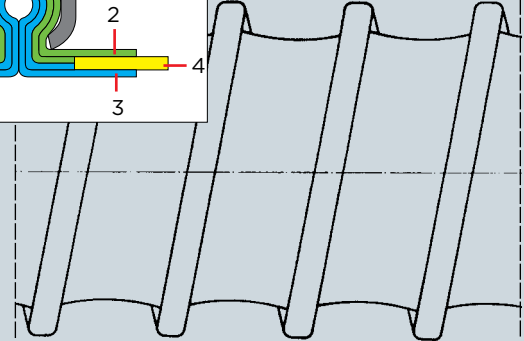
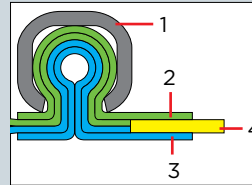
Properties

- Flame-resistant
- Very high temperature resistance
- Silicone-free
- Flexible
- Compressibility 1:2
- Small bend radius
- External steel helix protects against abrasion
- Special clamping method guarantees high tensile strength between hose material and external helix
- To maximize life of duct and exhaust system effectiveness, it is recommended to utilize a negative pressure exhaust system and introduce ambient air at the inlet.

* Larger sizes available, consult factory for pricing.

Construction

1. External helix
2. Outer layer: special coated high temperature fabric with heat stabilizers
3. Inner layer: Fine stainless steel mesh
4. Middle layer: Special insulating fabric



Temperature Range*

- -75°F up to +2010°F
- Intermittent to +2370°F
- Small amounts of smoke maybe given off when used under positive pressure or with low extraction rates.

*Hoses used for vehicle exhaust extraction, or operating near maximum temperature, must be used within a properly designed fan system to avoid damaging the hose.

Dia (in.)	Positive (in. w.c.)	Negative (in. w.c.)	*Bending radius (in.)	Weight (lbs./ft.)
3.00	201	122	1.80	1.00
4.00	141	81	2.40	1.29
5.00	109	50	3.00	1.60
6.00	69	37	3.60	1.93
8.00	49	20	4.80	2.57
10.00	39	14	7.00	3.20
12.00	33	9	8.40	3.85
14.00	20	7	9.80	4.49
16.00	16	6	11.20	5.25
18.00	12	4	14.40	6.15

* Referring to the inner side of the elbow of hose.

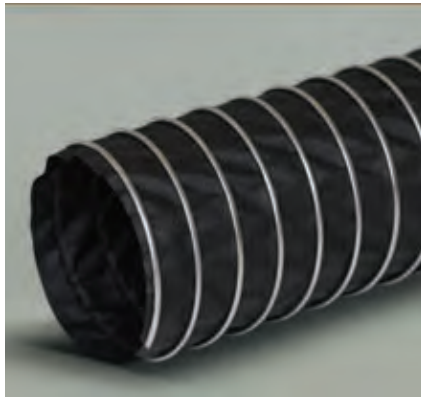
The above mentioned data refers to an average and ambient temperature of 68°F. Subject to technical changes and color variations.

**TECHNICAL
INFORMATION**

In the interest of continuing product improvement,
we reserve the right to change models,
specifications, and/or features without prejudice.

PROJECT: _____
 LOCATION: _____
 ARCHITECT: _____
 ENGINEER: _____
 CONTRACTOR: _____
 DATE: _____ SALES ENGINEER: _____

EXTERNAL HELIX HOSE FOR TEMPERATURES UP TO 300°F



SERIES 7300

- Single-ply Hypalon® polyester fabric hose mechanically crimped in a continuous process
- Fabric is locked around a coated steel wire by a metal strip formed into a clip
- Metal strip acts as a wearstrip
- Outstanding resistance to external abrasion
- Extremely flexible
- Ideal for low temp vehicle exhaust applications with external abrasion
- Manufactured with flame retardant materials
- Available with and optional polyurethane (PU-75 shore material) clip cover to protect the helix & the equipment that is attached to the hose
- Standard color: Black

Common Industries:
 Chemical Plants
 Exhaust Systems
 Fume Exhaust
 Garage Exhaust
 Pollution Control
 Vehicle Exhaust Systems

Temperature Range:
 -65°F to 300°F

Inside Diameters:
 4" to 18"

Standard Lengths:
 25'

INSIDE DIAMETER (IN)	APPROX. WEIGHT (LBS/FT)	WALL THICKNESS (IN)	CL BEND RADIUS (IN)	COMPRESSION RATIO	NEGATIVE PRESSURE (IN/HG)	WORKING PRESSURE (PSI)
4	.64	N/A	3	6:1	5	8
5	.61	N/A	3.5	8:1	4	6
6	.72	N/A	4.5	8:1	3.8	5
7	.88	N/A	5	8:1	3.5	4.4
8	1	N/A	5.5	8:1	3.3	3.9
9	1.1	N/A	6.3	8:1	3	3.4
10	1.21	N/A	7	8:1	2.8	3.2
12	1.39	N/A	8.5	8:1	2.5	2.8

Note: Technical data based on 2 ft. straight lengths of hose at 72-degrees F.

**TECHNICAL
INFORMATION**

In the interest of continuing product improvement,
we reserve the right to change models,
specifications, and/or features without prejudice.

PROJECT: _____
 LOCATION: _____
 ARCHITECT: _____
 ENGINEER: _____
 CONTRACTOR: _____
 DATE: _____ SALES ENGINEER: _____

EXTERNAL HELIX HOSE FOR TEMPERATURES UP TO 550°F



SERIES 7600

- Single-ply silicone coated fiberglass fabric hose mechanically crimped in a continuous process
- Fabric is locked around a coated steel wire by a metal strip formed into a clip
- Metal strip acts as a wearstrip
- Outstanding resistance to external abrasion
- Extremely flexible
- Ideal for vehicle exhaust applications with external abrasion
- Manufactured with flame retardant materials
- Available with optional Hypalon® and neoprene coated materials
- Available with and optional polyurethane (PU-75 shore material) clip cover to protect the helix & the equipment that is attached to the hose
- Standard color: Silver

Common Industries:
 Chemical Plants
 Exhaust Systems
 Fume Exhaust
 Garage Exhaust
 Pollution Control
 Vehicle Exhaust Systems

Temperature Range:
 -65°F to 550°F

Inside Diameters:
 4" to 18"

Standard Lenth:
 25'

INSIDE DIAMETER (IN)	APPROX. WEIGHT (LBS/FT)	WALL THICKNESS (IN)	CL BEND RADIUS (IN)	COMPRESSION RATIO	NEGATIVE PRESSURE (IN/HG)	WORKING PRESSURE (PSI)
4	.78	N/A	3	5:1	9	10
5	.77	N/A	3.5	8:1	7	8
6	.70	N/A	4.5	8:1	6	7
7	.96	N/A	5	8:1	5.5	6.5
8	1.23	N/A	5.5	8:1	5	6
9	1.35	N/A	6.3	8:1	4.5	5.5
10	1.47	N/A	7	8:1	4	5
12	1.6	N/A	8.5	8:1	2.5	4

Note: Technical data based on 2 ft. straight lengths of hose at 72-degrees F.